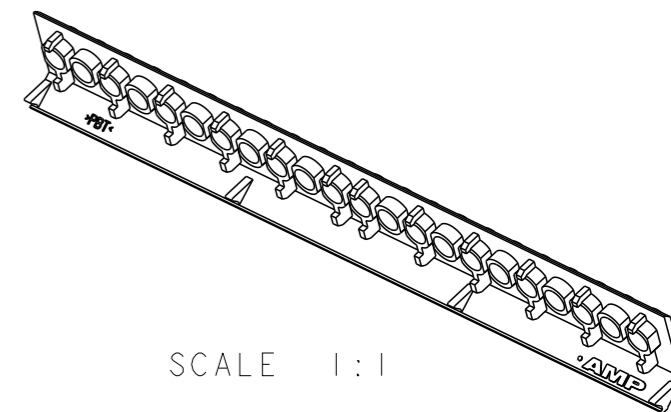
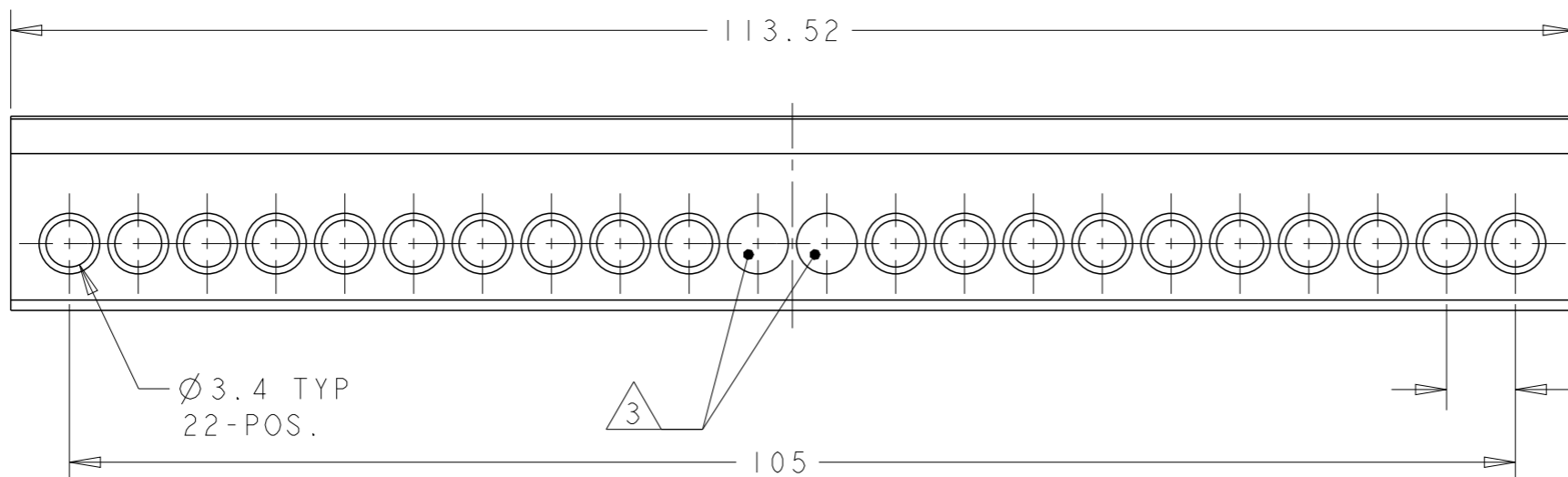
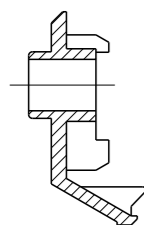
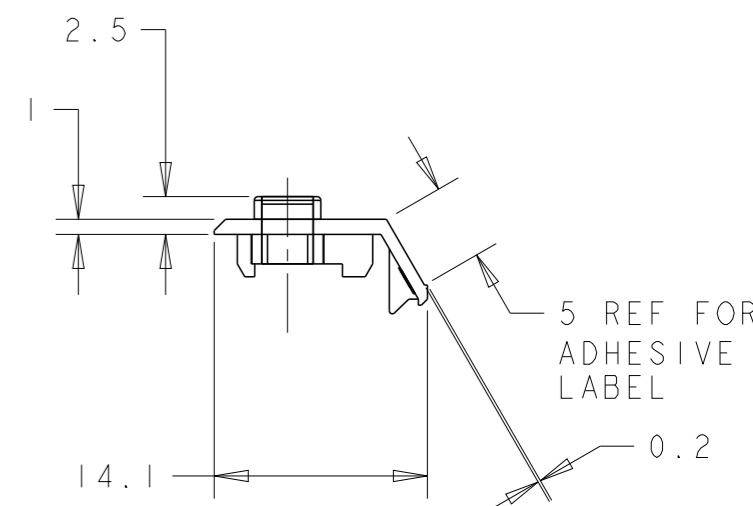
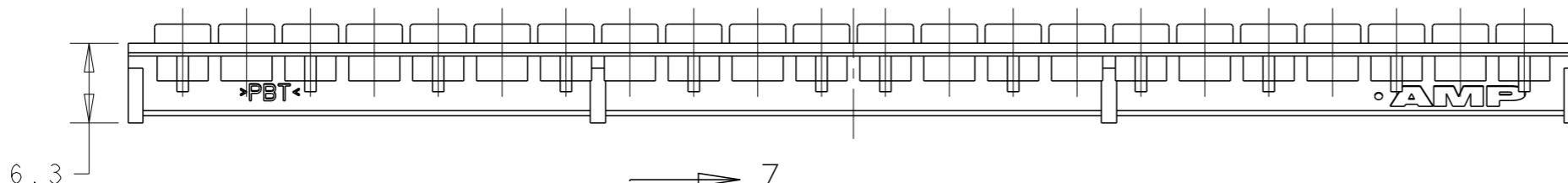


THIS DRAWING IS UNPUBLISHED. RELEASED FOR PUBLICATION 20
 © COPYRIGHT 20 BY - ALL RIGHTS RESERVED.

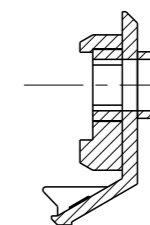
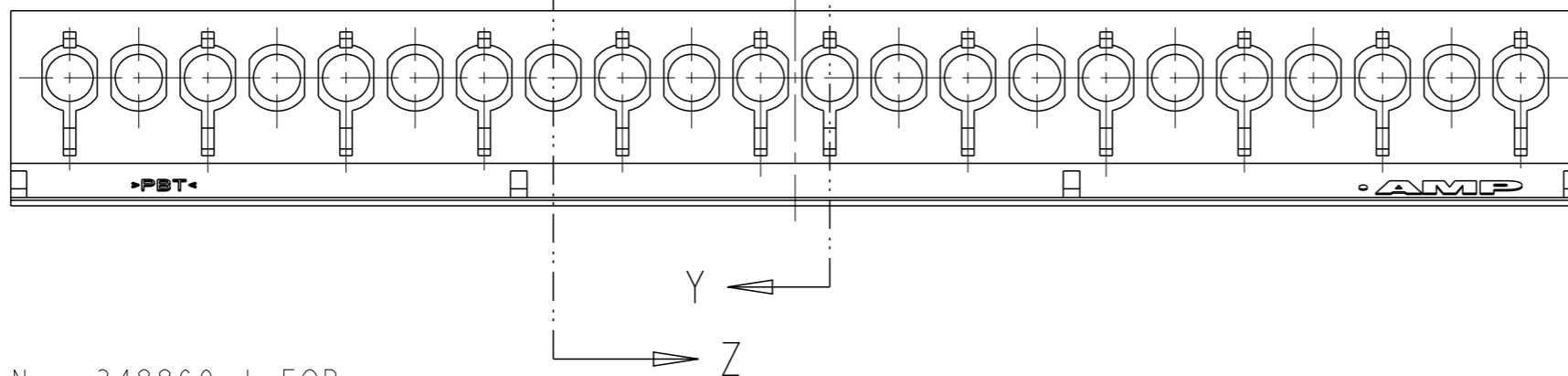
REVISIONS					
P	LTR	DESCRIPTION	DATE	DWN	APVD
	C	REVISED PER ECO-13-020288	01JAN2014	KH	MB



SCALE 1:1



SECTION Z-Z




SECTION Y-Y

1. ORDER Pt.No. 348860-1 FOR USE WITH I/O CONNECTOR Pt.No. 348859-1

2. DESIGN OBJECTIVE SPECIFICATION 108-3369.

3 BLANKED IN 2-POSITIONS SHOWN

THIS DRAWING IS A CONTROLLED DOCUMENT.		DWN	A. J. BEKEN	14/09/99	 TE Connectivity	NAME		SCREWDRIVER GUIDE				
DIMENSIONS: mm		CHK	F-W-K	14/09/99		PRODUCT SPEC		22 POSITION				
TOLERANCES UNLESS OTHERWISE SPECIFIED:		APVD	F-W-K	14/09/06		APPLICATION SPEC		-				
0 PLC ±0.5 1 PLC ±0.5 2 PLC ±0.5 3 PLC ±0.5 4 PLC ±0.5 ANGLES ±2°		WEIGHT		3.136g		SIZE	A3	CAGE CODE	00779	DRAWING NO	C-348860	RESTRICTED TO
MATERIAL SEE TABLE		Customer Drawing		SCALE		2:1	SHEET		1 OF 1	REV		C