

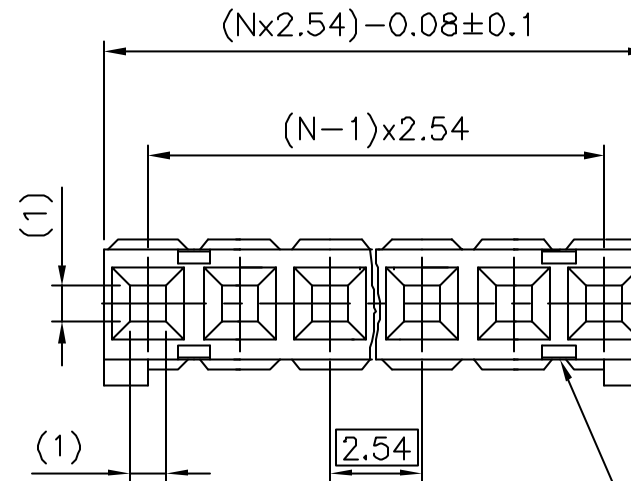
PRODUCT NUMBER

65240-0XXLF

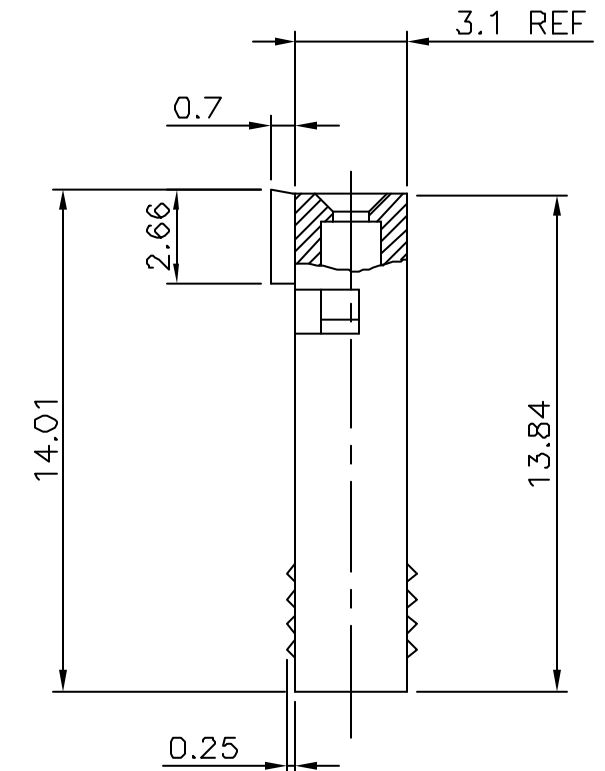
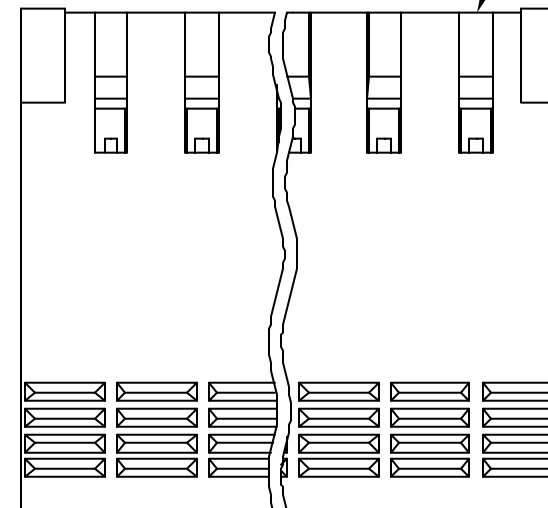
WHEN NEEDED, SUFFIX LETTER "LF" INDICATES THE PRODUCT IS RoHS COMPLIANT, SEE NOTE 6

NUMBER OF CAVITIES PER ROW: 02 TO 36.

PLASTIC MATERIAL.



SEE NOTE 2



NOTES:

- 1 - HOUSING MAT'L: THERMOPLASTIC GLASS FILLED FLAME RETARDANT PER UL 94 V-0 COLOR: BLUE.
- 2 - OVER DASH -007 ONLY FIRST AND LAST THREE POSITIONS MUST HAVE GROOVES ON TWO SIDES.
- 3 - PRODUCT PACKED IN PLASTIC BAG.
- 4 - TO DETERMINE DIMENSIONS:
N = NUMBER OF POSITIONS
EXAMPLE: 8 POS: $(N \times 2.54) - 0.08 = 20.24$ mm.
- 5 - FOR TECHNICAL APPLICATION SEE TA317.
- 6 - RoHS COMPATIBLE PRODUCT SPECIFICATIONS

a - LABELING:

- MEETS PACKAGING SPECS AS PER GS-14-920

b - LEGAL STATEMENT: SEE GS-22-008

THE PRODUCT IS NOT INTENDED TO BE EXPOSED TO A MANUFACTURING SOLDER PROCESS.

mat'l. code		surface		tolerance		projection		product family	
SEE NOTE		ISO 1302		ISO 406 ISO		101		DUBOX	
ltr	ecn no	dr	date	tolerances unless otherwise specified		mm		title	
P	F06-0146	DLE	06.03.10	angles	Linear	±0.3		CtW HOUSING	
R	F06-0225	DLE	06.07.07	±2'		scale 5:1		SR	
S	F07-0168	PNZ	07.04.02	dr		G CORBOZ		01.01.05	
L	F05-0169	DLE	05.04.07	enfr		P NIZZI		01.01.05	
M	F05-0236	DLE	05.08.24	chr		JF NOTTEAU		01.01.05	
N	F05-0286	DLE	05.11.07	appd		P NZ		01.01.05	
sheet index	revision sheet							dwg no	
								65240	
								sheet 1 of 1	
								size	
								A3	
								type	
								CUSTOMER Drawing	



Copyright FCI