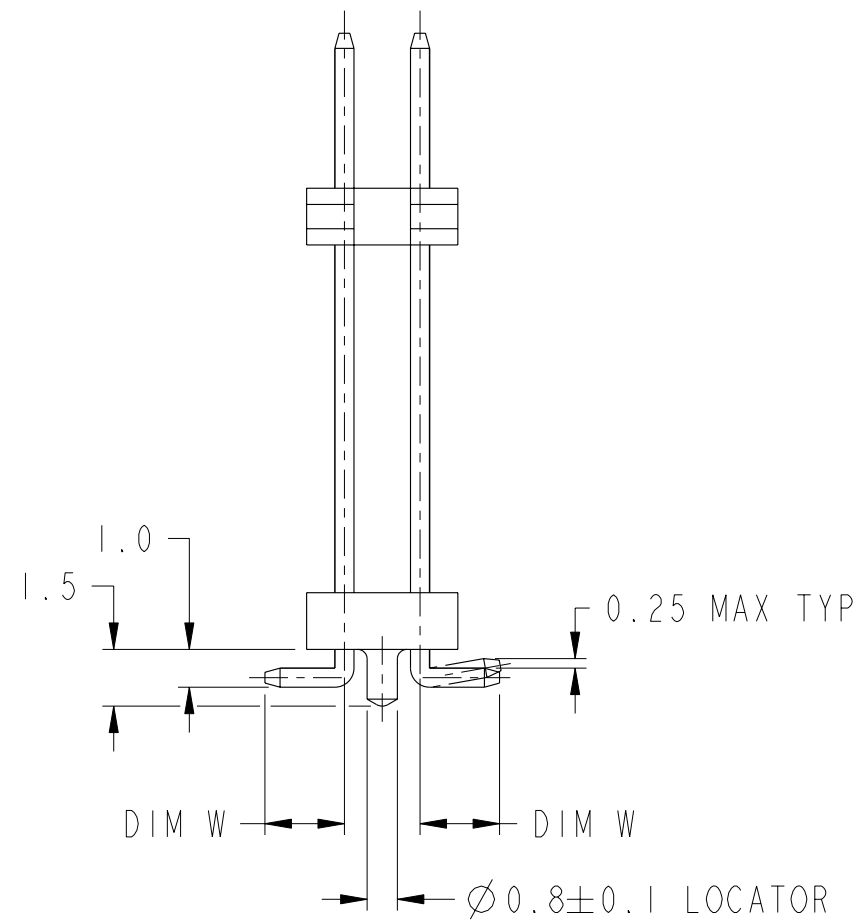
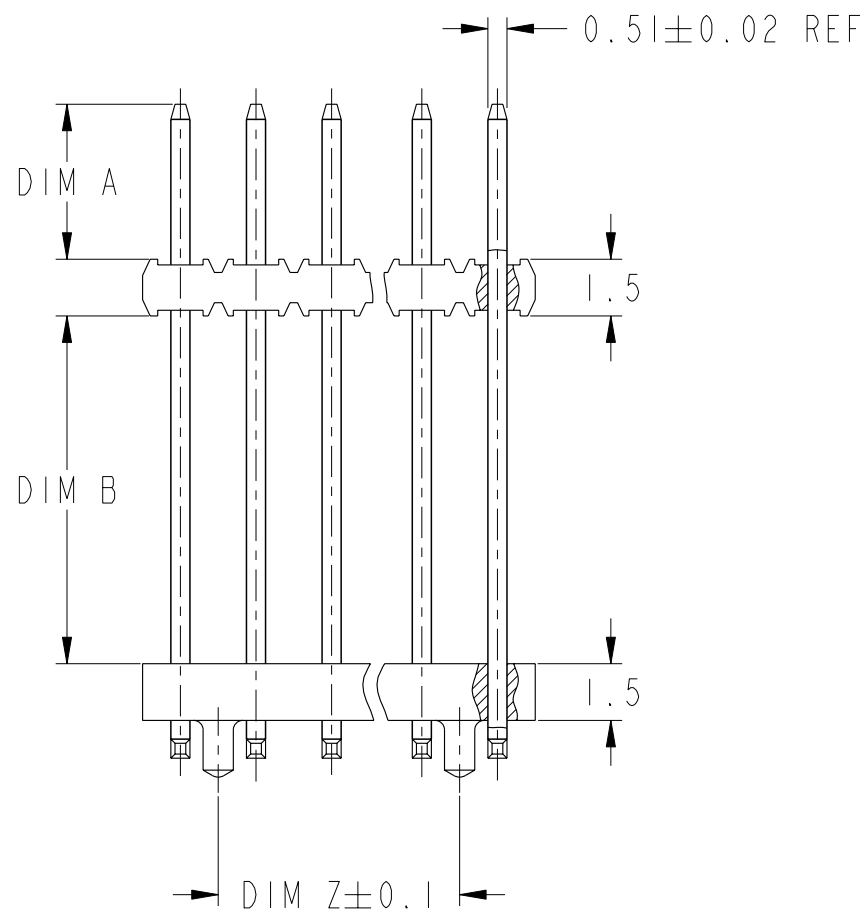
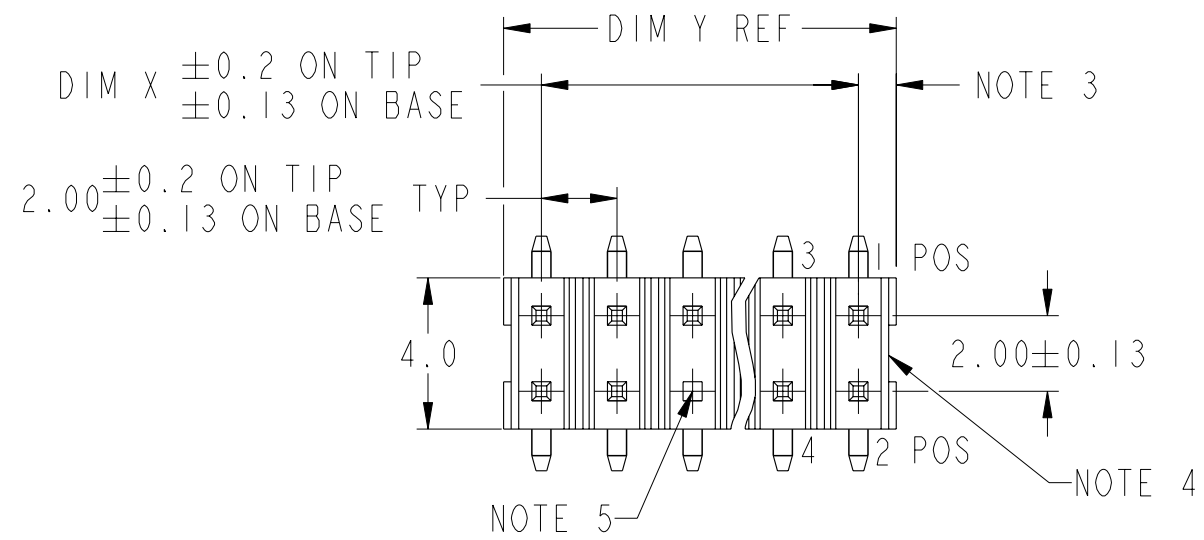


1

2

3

4



CONFIDENTIAL

www.fciconnect.com		surface ISO 1302	tolerance std ISO 406 ISO 1101	projection A3	MM Scale 5:1
		TOLERANCES UNLESS OTHERWISE SPECIFIED			
Dr	JPEH	2006/07/17	ANGULAR	0.X	\pm
Eng	JPEH	2000/07/07	LINEAR	0.XX	± 0.25
Chr	KH LEE	2010/01/02	0° \pm $^\circ$	0.XXX	\pm
Appr	JOEY NG	2010/01/02	Product family	MINITEK	Spec ref -
-	-	-	-	-	-
-	-	-	-	-	-
D	S00120	JPEH	1999/11/01	Rev. H	
E	S00129	JPEH	2000/07/07	Rev. H	
FCi		MINITEK II R/R SMT STR HDR WITH LOCATOR		dwg no 63444	Rev. H
catalog no		-		CUSTOMER	sheet 1 of 3

rev	ecn no	dr	date
F	S04-0272	KBM	2004/12/21
G	S06-0236	KHL	2006/07/17
H	S10-0205	PR	2010/01/02
-	-	-	-
-	-	-	-
D	S00120	JPEH	1999/11/01
E	S00129	JPEH	2000/07/07

1

2

3

PDM: Rev:H

STATUS: Released

Printed: Dec 21, 2010



Copyright FCI.

1	2				3			4			
PRODUCT NO.	POS	DIM X	DIM Y	DIM Z	DIM A	DIM B	DIM W	POL. POS	PLATING	TUBE PACK 'G AVAILABLE	TUBE W CAP PACK 'G AVAIL.
63444-001	2X25	48	50	46	4.1	9.2	2.1	-	0.76µm MIN GXT	YES	YES
-002	2X25	48	50	46	4.0	14.0	2.6	-	0.76µm MIN GXT	-	-
-003	2X8	14	16	12	4.0	14.0	2.6	-	0.76µm MIN GXT	-	-
-004	2X16	30	32	28	4.1	9.2	2.1	-	0.76µm MIN GXT	YES	YES
-005	2X16	30	32	28	3.8	7.2	2.1	-	0.76µm MIN GXT	-	-
-006	2X8	14	16	12	5.0	0	2.1	-	0.76µm MIN GXT	-	-
-007	2X16	30	32	28	5.0	0	2.1	-	0.76µm MIN GXT	-	-

A

A

B

B

C

C

D

D



Copyright FCI.

CONFIDENTIAL

www.fciconnect.com			surface <input checked="" type="checkbox"/> ISO 1302	tolerance std ISO 406 ISO 1101	projection	MM
TOLERANCES UNLESS OTHERWISE SPECIFIED						
Dr	JPEH	2006/07/17	ANGULAR	LINEAR	0.X	±-
Eng	JPEH	2000/07/07			0.XX	±0.25
Chr	KH LEE	2010/01/02	0°	±°	0.XXX	±-
Appr	JOEY NG	2010/01/02	Product family		MINITEK	Spec ref -
			MINITEK II R/R			Rev.
			SMT STR HDR WITH LOCATOR			H
catalog no			-			sheet 2 of 3
			CUSTOMER		63444	

REV F - 2006-04-17

1

2

3

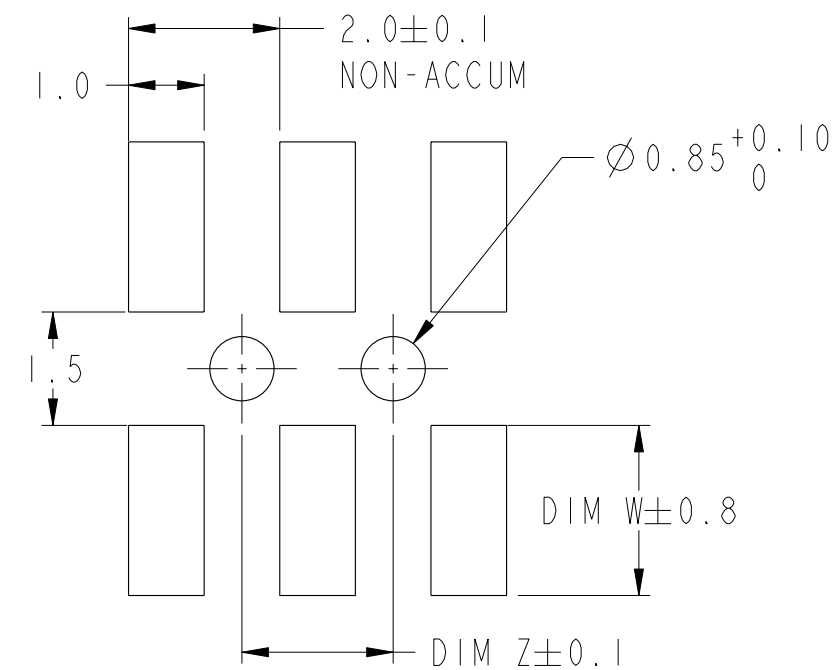
PDM: Rev:H

STATUS: Released

Printed: Dec 21, 2010

NOTES:

1. MATERIAL:
 BODY : GLASS FILLED PCT UL 94V-0 NATURAL (BEIGE)
 PIN : PHOSPHOR BRONZE
2. TOLERANCE UNLESS OTHERWISE NOTED ± 0.25
3. DIM 1.0 ± 0.15 FOR MOLDED SIDE(S) ONLY. IF SIDE(S) ARE BROKEN, DIM 1.5 MAX APPLIES.
4. RECESS APPLIES TO MOLDED SIDE(S) ONLY.
5. POLARISATION BY OMISSION OF PIN. POSITION REFER TO TABLE.
6. STANDARD PACKAGING IN PLASTIC BAG.
7. P/N 63444-XXTC TO BE PACKED IN TUBE WITH PICK-UP CAP INSTALLED IN THE CENTRE OF THE PRODUCT. SEE FIG 1. REFER TO TABLE FOR AVAILABILITY.
8. P/N 63444-XXXT TO BE PACKED IN TUBE. REFER TO TABLE FOR AVAILABILITY.
9. PRODUCT DESCRIPTION CODE:
 XXXXX-XXXLF
 LEAD FREE. SEE NOTE 11
 EXTENSION NUMBER
 BASE NUMBER
10. THE HOUSING WILL WITHSTAND EXPOSURE TO 250°C PEAK TEMPERATURE FOR 10 SECONDS IN A CONVECTION, INFRA-RED OR VAPOR PHASE REFLOW OVEN.
11. THIS PRODUCT MEETS EUROPEAN UNION DIRECTIVES AND OTHER COUNTRY REGULATIONS AS DESCRIBED IN GS-22-008.
12. A $\triangle H$ SYMBOL WILL BE NEXT TO ANY DIMENSION, VIEW OR NOTE WHICH HAS BEEN MODIFIED WITH THE CURRENT DRAWING REVISION.



PICK-UP CAP (COLOR BLACK)

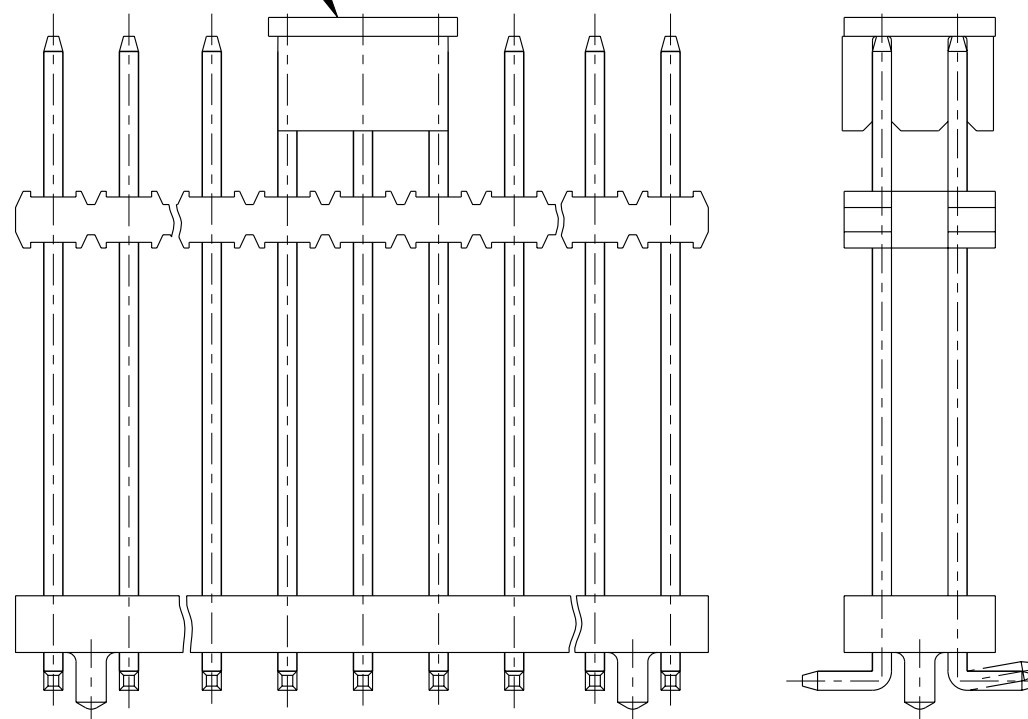


FIG. 1

CONFIDENTIAL

www.fciconnect.com			surface ISO 1302	tolerance std ISO 406 ISO 1101	projection MM	TOLERANCES UNLESS OTHERWISE SPECIFIED	
Dr	JPEH	2006/07/17	ANGULAR	LINEAR	0.X	±-	size A3
Eng	JPEH	2000/07/07			0.XX	±0.25	
Chr	KH LEE	2010/01/02	0°	±°	0.XXX	±-	ECN S10-0205
Appr	JOEY NG	2010/01/02	Product family		MINITEK	Spec ref -	
			title MINITEK II R/R SMT STR HDR WITH LOCATOR		dwg no 63444	Rev. H	
			catalog no		CUSTOMER	sheet 3 of 3	