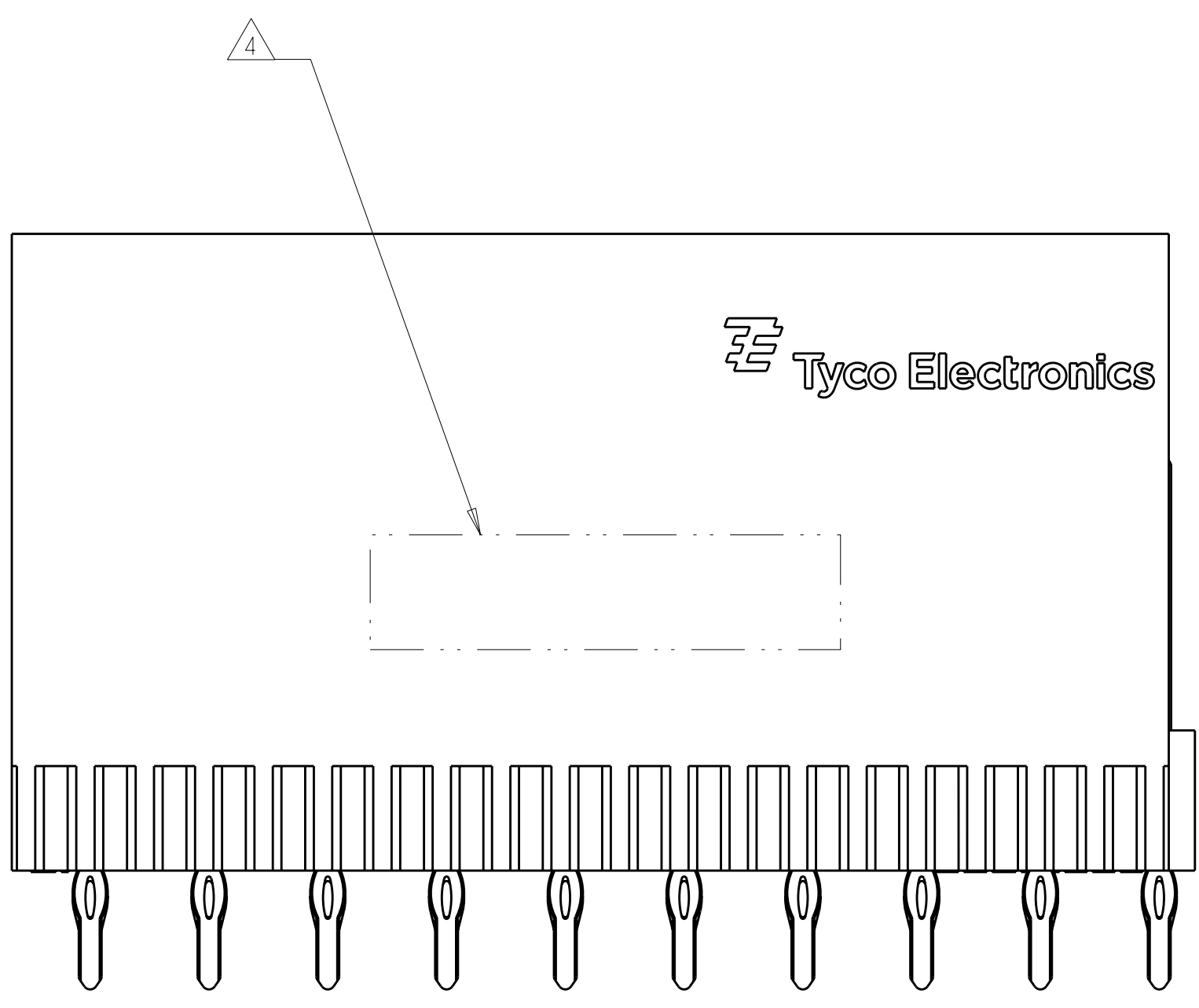
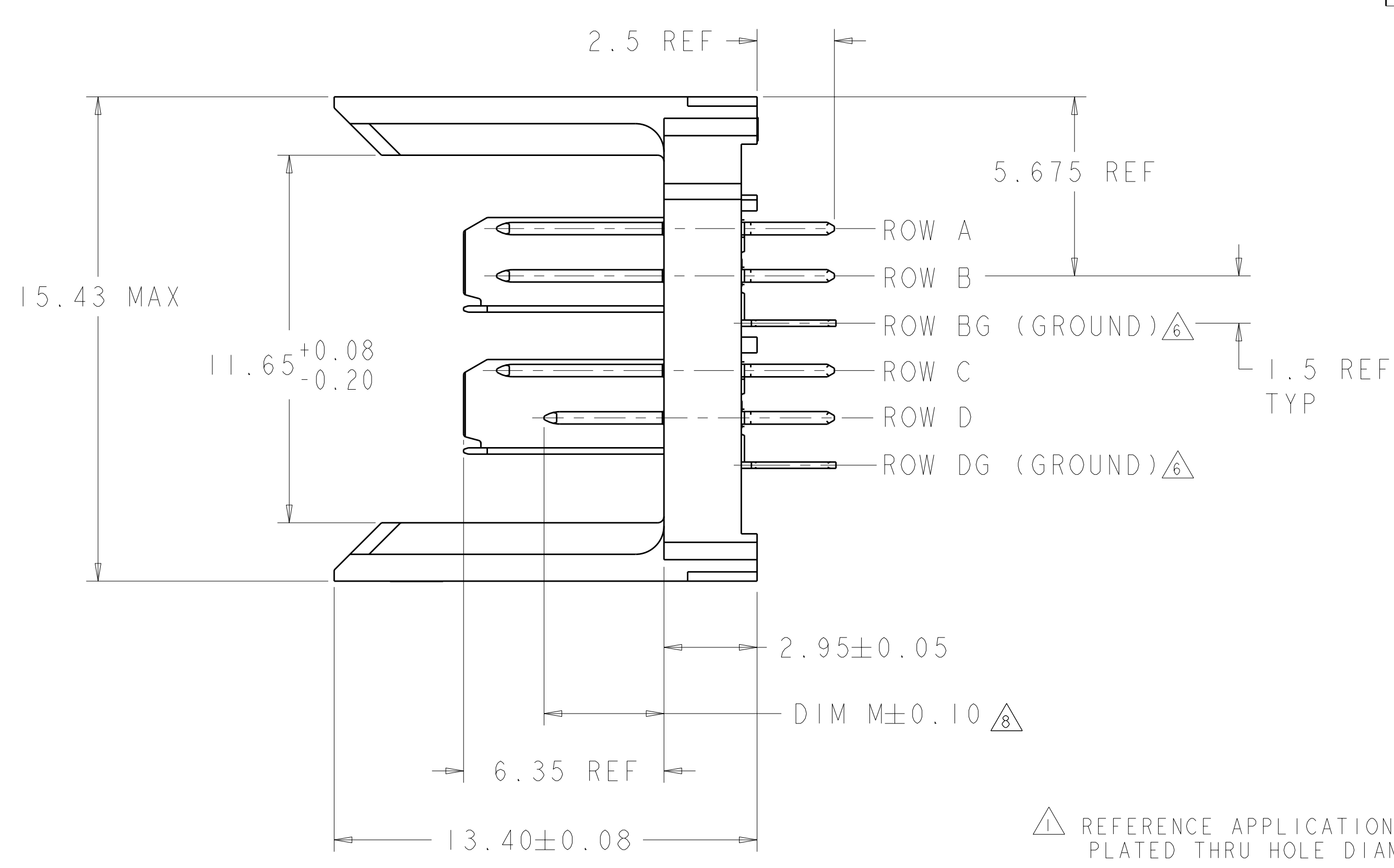
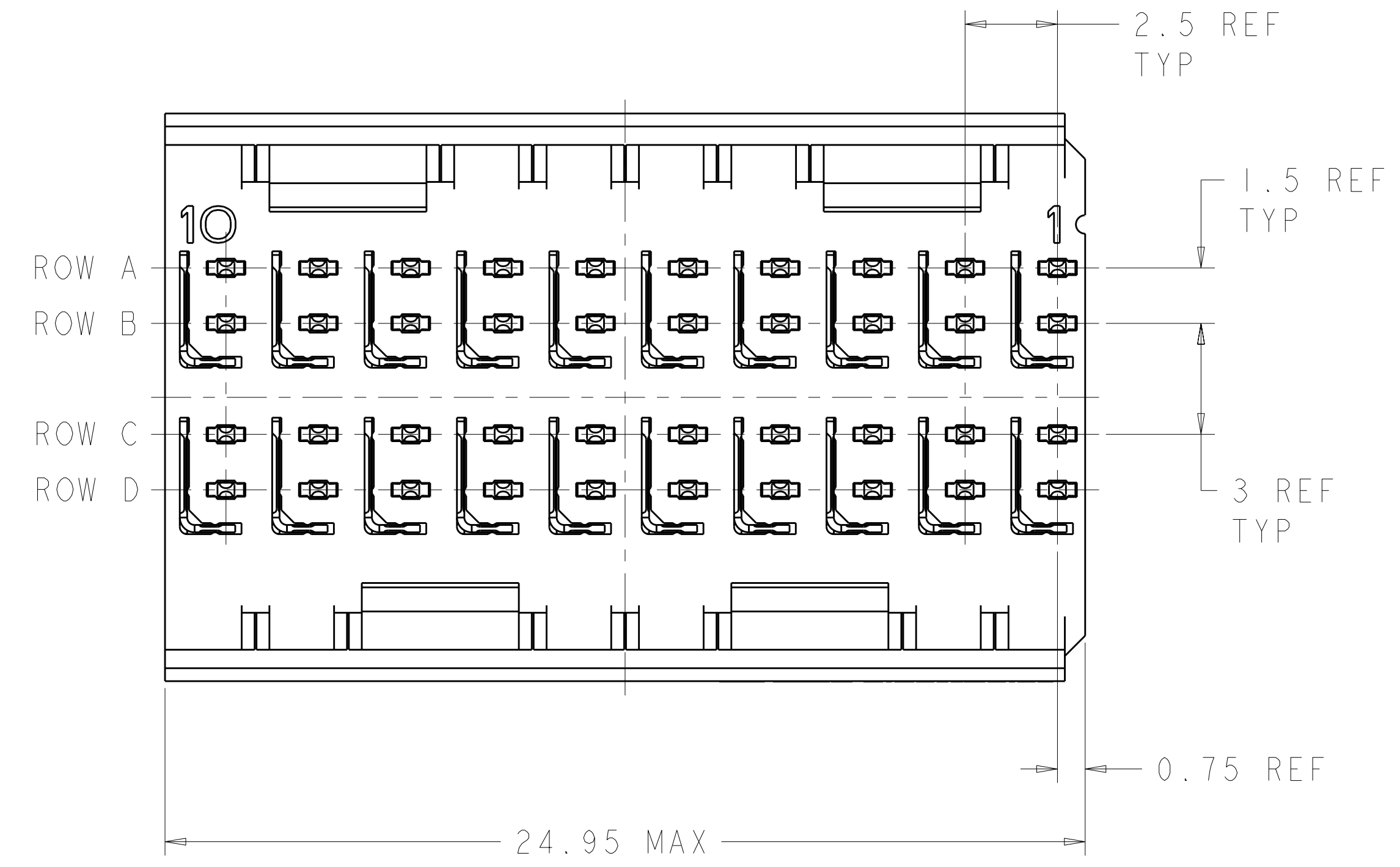
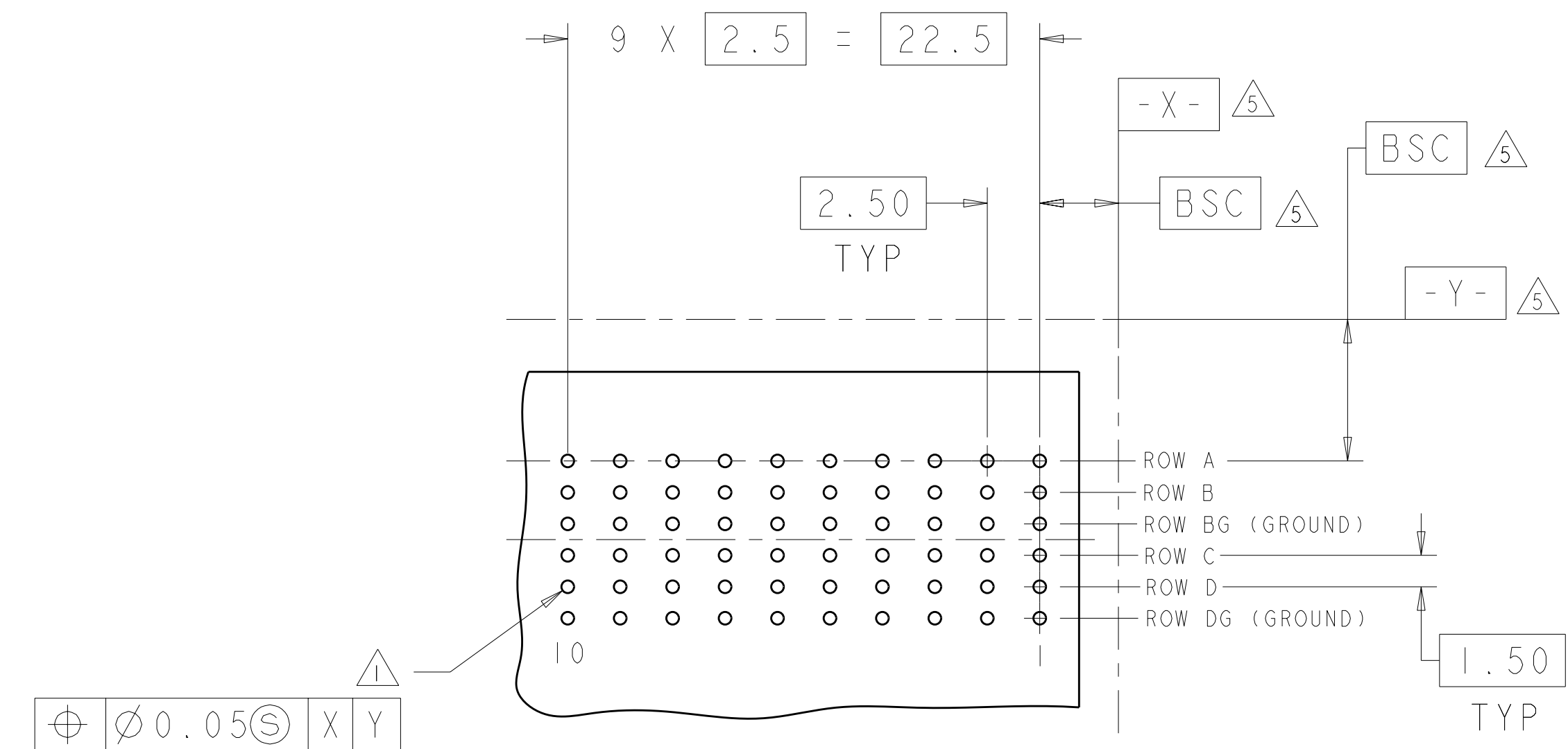


LOC		DIST		REVISIONS			
AD	00	REV	DATE	BY	CHKD	APPD	DATE
		B	18JAN2012	KH	DD		



- △ REFERENCE APPLICATION SPEC 114-13059 FOR RECOMMENDED PLATED THRU HOLE DIAMETER AND PLATING THICKNESS.
- △ MATERIAL:  
CONTACT AND SHIELD - PHOSPHOR BRONZE  
HOUSING - GLASS FILLED POLYESTER
- △ FINISH: SIGNAL AND GROUND CONTACTS:  
MATING AREA: MEETS THE PERFORMANCE REQUIREMENTS OF PRODUCT SPECIFICATION 108-2055; BASED ON TELCORDIA GR-1217-CORE, APPLICATIONS IN UNCONTROLLED ENVIRONMENTS  
COMPLIANT PIN AREA: 0.5 μm MIN MATTE TIN OVER BASE PLATING
- △ CONNECTOR MARKED WITH PART NUMBER AND DATE CODE.
- △ DATUMS AND BASIC DIMENSIONS ESTABLISHED BY CUSTOMER.
- △ THE TWO GROUNDS IN EACH COLUMN ARE COMMONED.
- 7. CONTACT AREA LUBRICATED WITH BELLCORE APPROVED LUBRICANT. TECHNICAL REFERENCE: GR-1217-CORE, ISSUE 1, NOVEMBER 1995.
- △ REFER TO "CONTACT LAYOUT" CHART FOR SEQUENCING.



⊕ ⌀0.05 Ⓢ X Y  
 ALL PLATED THRU HOLES

RECOMMENDED PC BOARD LAYOUT, BACKPLANE, COMPONENT SIDE SHOWN  
 SCALE 4:1

CONTACT LAYOUT										
A	3.80mm (DIM M)									
B	5.30mm (DIM M)									
G	GROUND									
COLUMNS										
ROWS	10	9	8	7	6	5	4	3	2	1
A	A	B	B	B	B	B	B	B	B	B
B	B	B	B	B	B	B	B	B	B	B
BG	G	G	G	G	G	G	G	G	G	G
C	B	B	B	B	B	B	B	B	B	B
D	B	B	B	B	B	B	B	B	B	A
DG	G	G	G	G	G	G	G	G	G	G

6469639-1  
 PART NUMBER

THIS DRAWING IS A CONTROLLED DOCUMENT.		DWN: B. CARBO 04OCT2005	TE Connectivity
DIMENSIONS: mm		CHK: R. PATTERSON 04OCT2005	
TOLERANCES UNLESS OTHERWISE SPECIFIED:		APPD: R. PATTERSON 04OCT2005	NAME: HEADER ASSEMBLY, 2 PAIR, SELECTIVELY LOADED, 2.5mm TAIL, 25mm, HMZd
9 PLC ±		PRODUCT SPEC	SIZE: CAGE CODE DRAWING NO. RESTRICTED TO
3 PLC ±		APPLICATION SPEC	A1100779C-6469639
5 PLC ±		WEIGHT	SCALE 8:1 SHEET 1 OF 1 REV B
4 PLC ±		CUSTOMER DRAWING	
ANGLES ±			
FINISH			