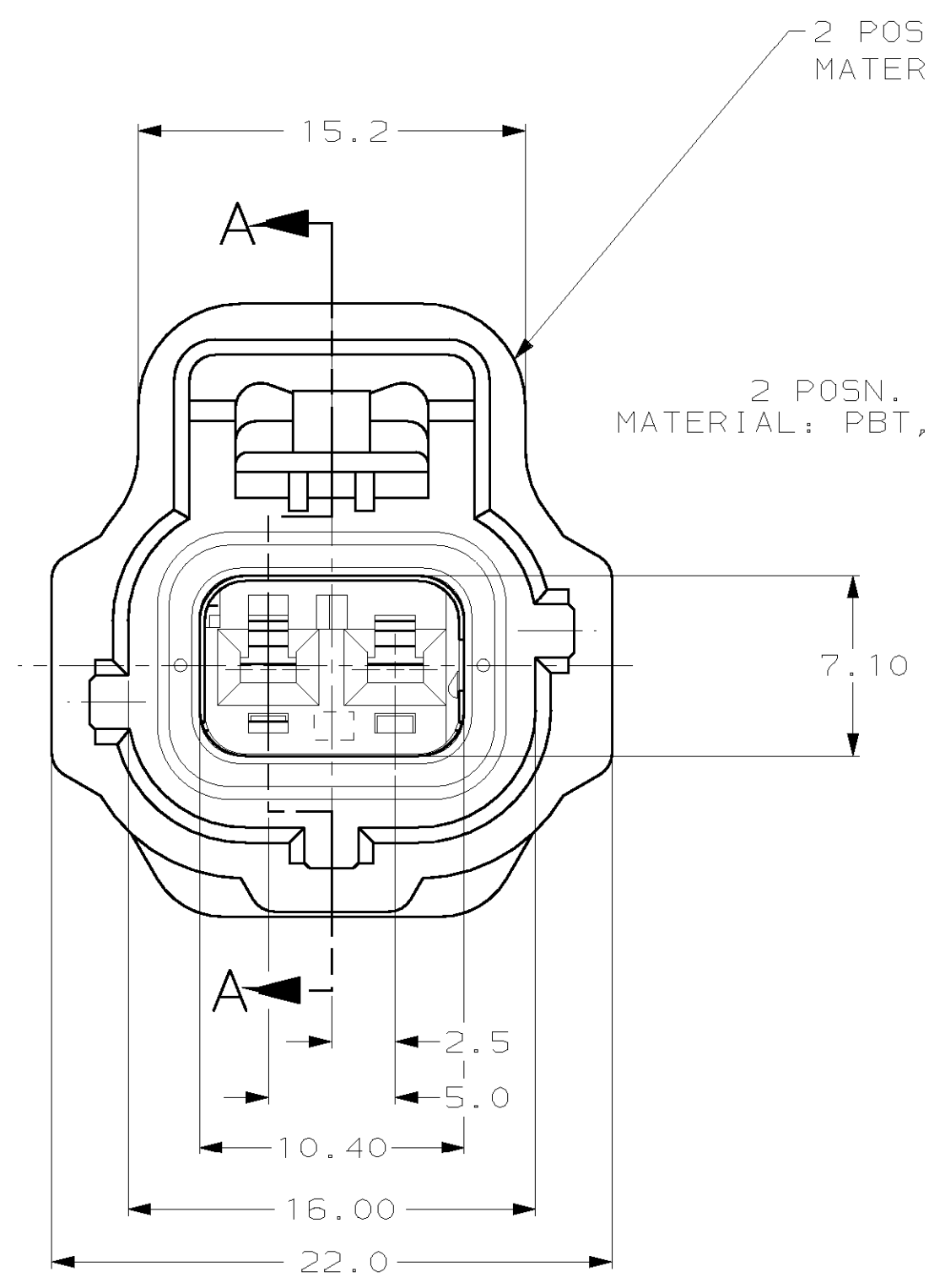
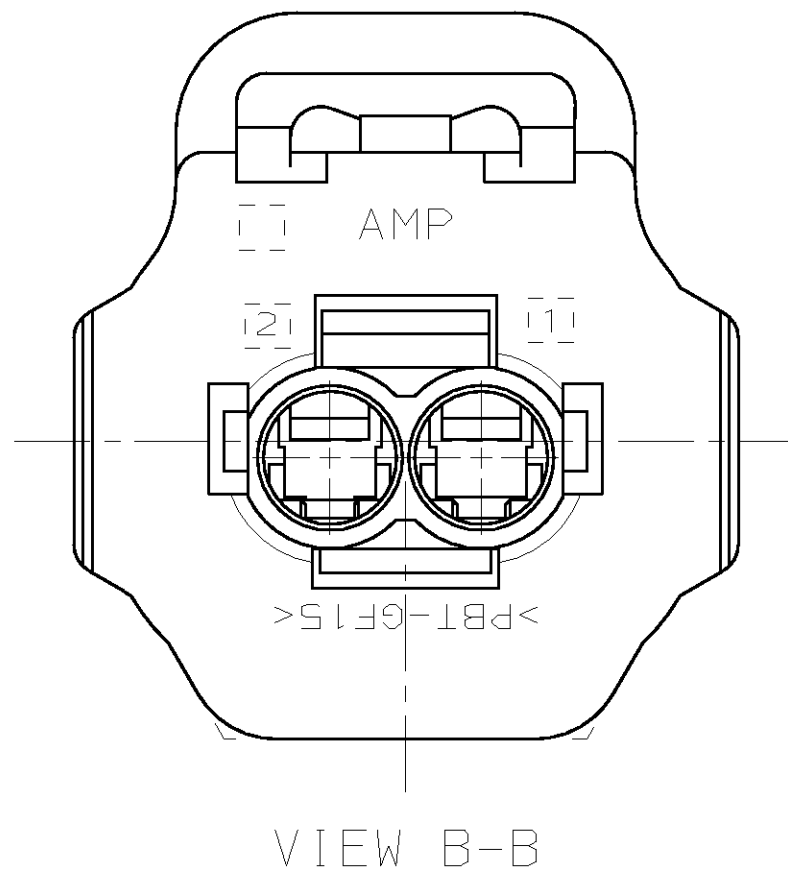
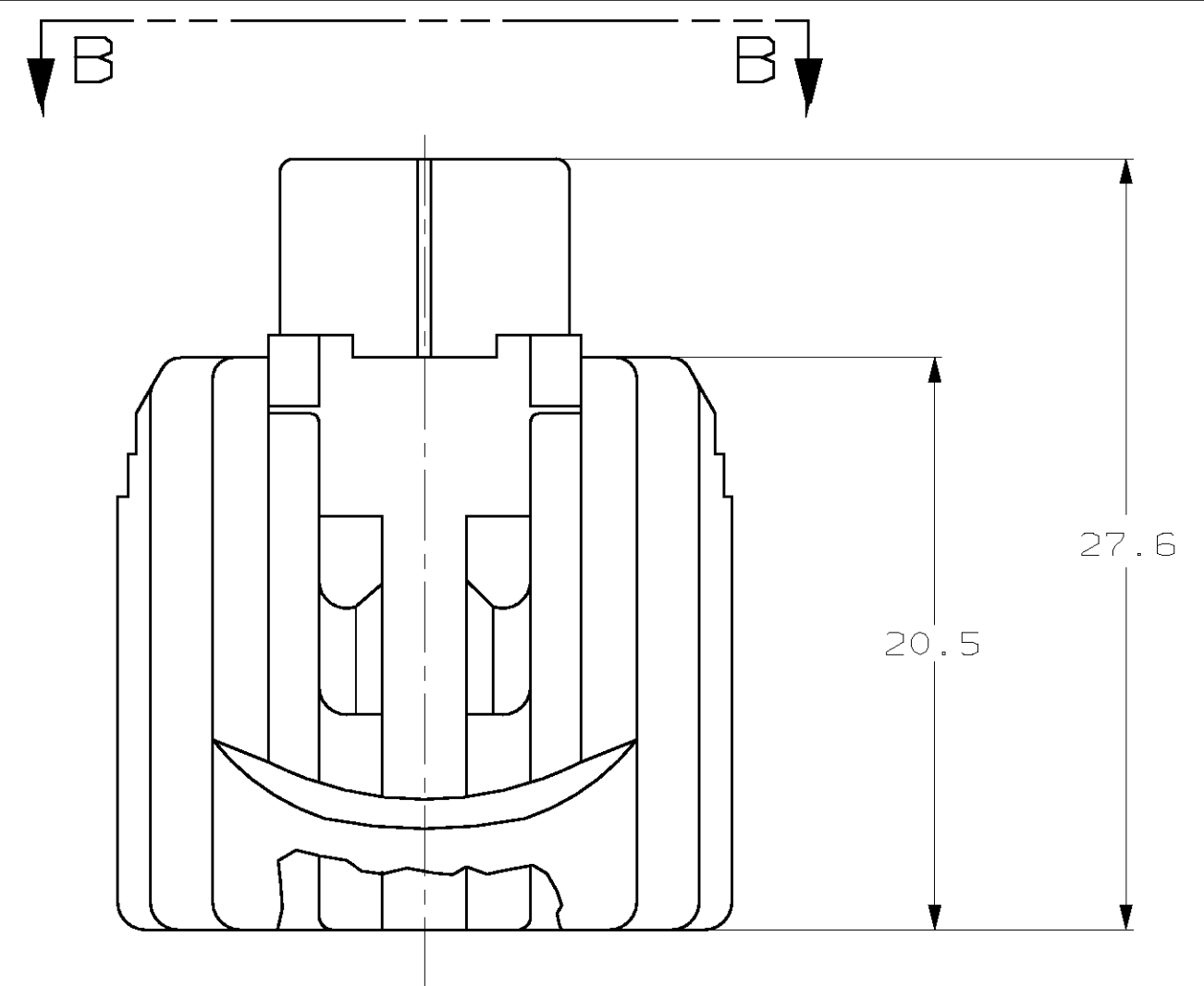


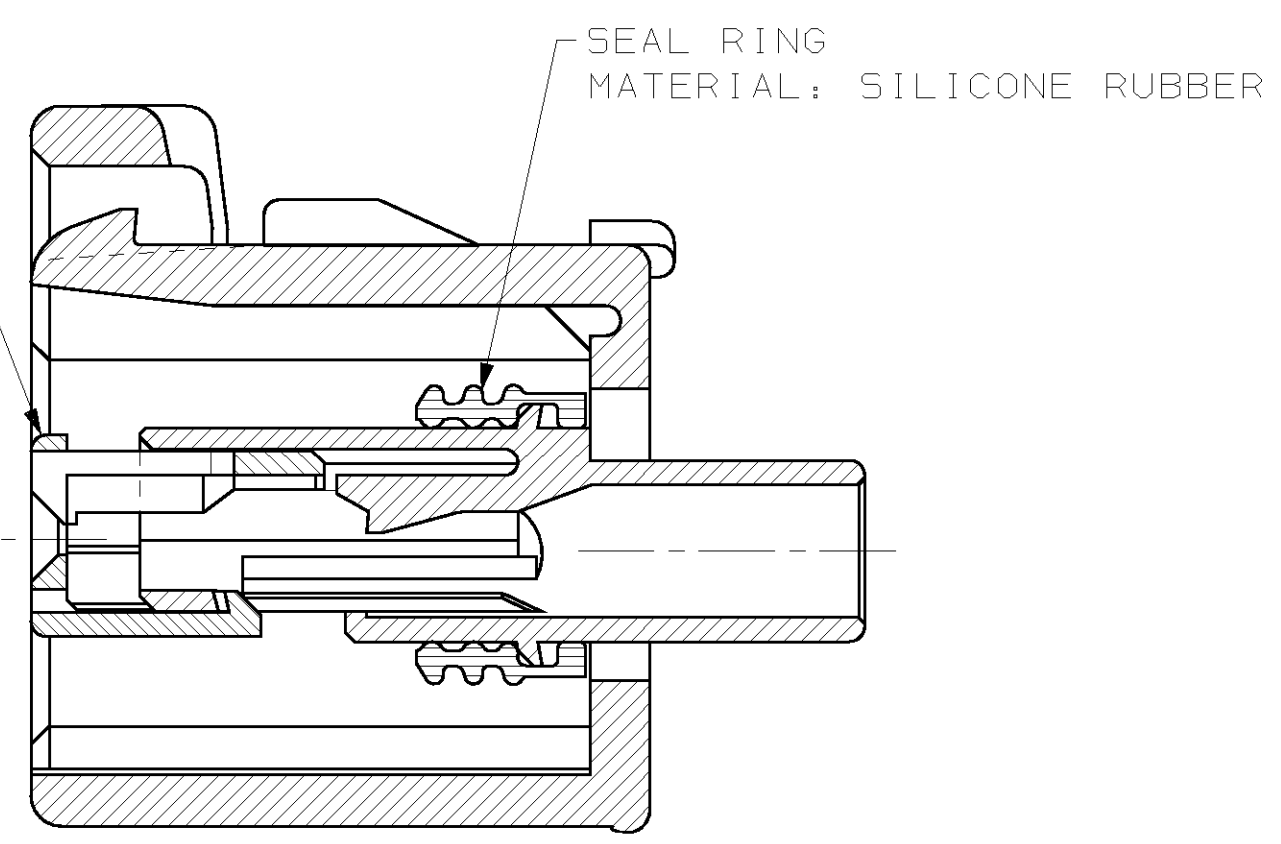
THIS DRAWING IS UNPUBLISHED. RELEASED FOR PUBLICATION .19
 (C) COPYRIGHT 19 BY AMP INCORPORATED. ALL RIGHTS RESERVED.

LOC		DIST		REVISIONS			
P	LTR	DESCRIPTION	DATE	DWN	APVD		
G	16	0	RELEASED, WAS 92-4072-2313-4	-	-	-	
		A	REV PER ECN 0720-0290-94	10/6/94	KL	JK	
		B	REV PER ECN 0720-0446-94	12/16/94	KW	JK	
		C	REV PER ECN 0720-0702-95	8/9/95	KL	JK	
		D	REV PER ECN 0K50-0003-96	08/13/96	KW	JK	
		E	REV PER EC# 0K40-0140-00	7-10-00	PC	GI	



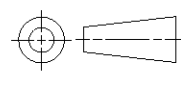
2 POSN PLUG
 MATERIAL: PBT, 15% GLASS FILLED

2 POSN. DOUBLE LOCK PLATE
 MATERIAL: PBT, 15% GLASS FILLED



SECTION A-A

KEYING TYPE D

<small>THIS DRAWING IS A CONTROLLED DOCUMENT FOR AMP INCORPORATED. IT IS SUBJECT TO CHANGE AND THE CONTROLLING ENGINEERING ORGANIZATION SHOULD BE CONTACTED FOR THE LATEST REVISION.</small>		DWN	KD LYTLE	3/23/94
<small>TOLERANCES UNLESS OTHERWISE SPECIFIED:</small>		CHK	JP KUNKLE	4/19/94
<small>DIMENSIONS:</small> mm		APVD	-	-
		PRODUCT SPEC	-	-
0 PLC ±- 1 PLC ±0.30 2 PLC ±0.15 3 PLC ±- 4 PLC ±- ANGLES ±1° FINISH -		APPLICATION SPEC	-	-
MATERIAL -		WEIGHT	-	-
		CUSTOMER DRAWING		

GRAY	184006-2
GREEN	184006-1
PLUG COLOR	PART NO
AMP AMP Incorporated Harrisburg, PA 17105-3608	
1 X 2 PLG ASY KEY D-C3	
SIZE	CAGE CODE
A2	00779
DRAWING NO	C-184006
SCALE	SHEET
4:1	1 OF 1
REV	E

184006

B

A