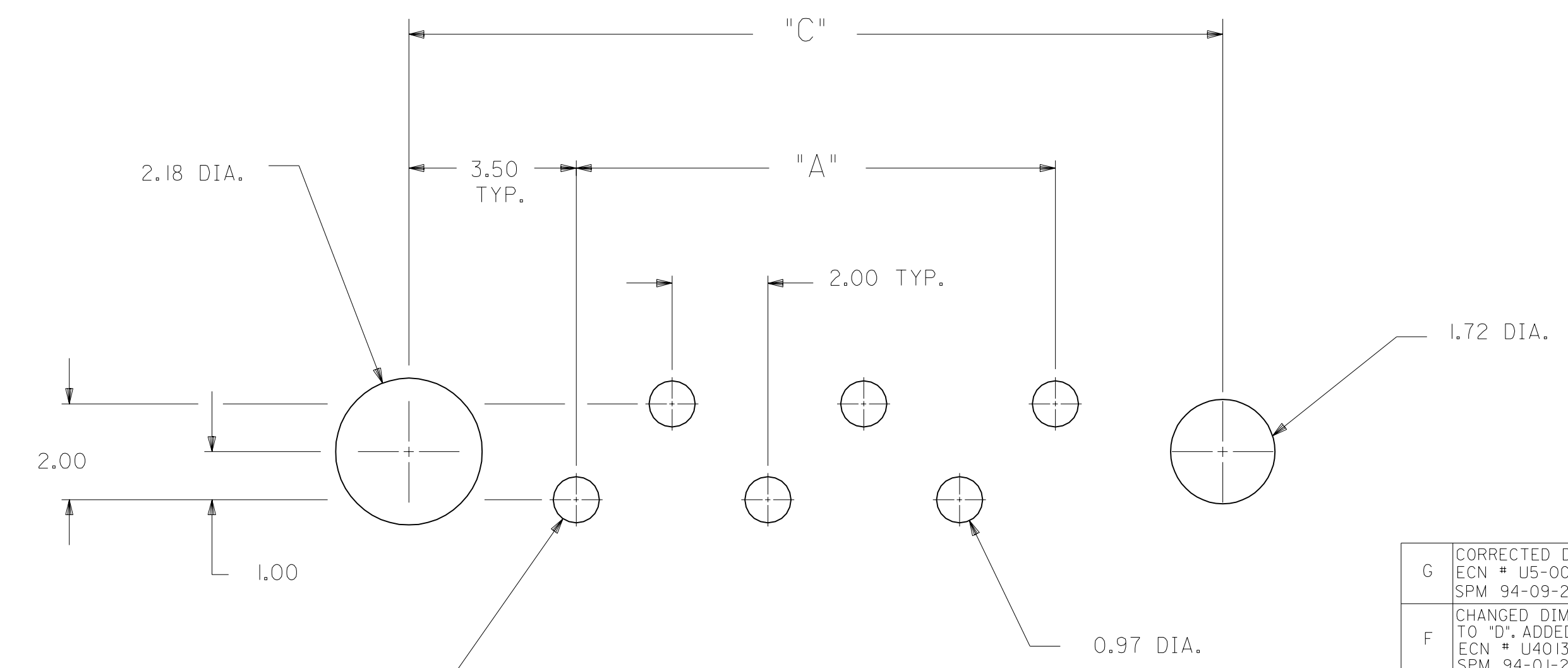
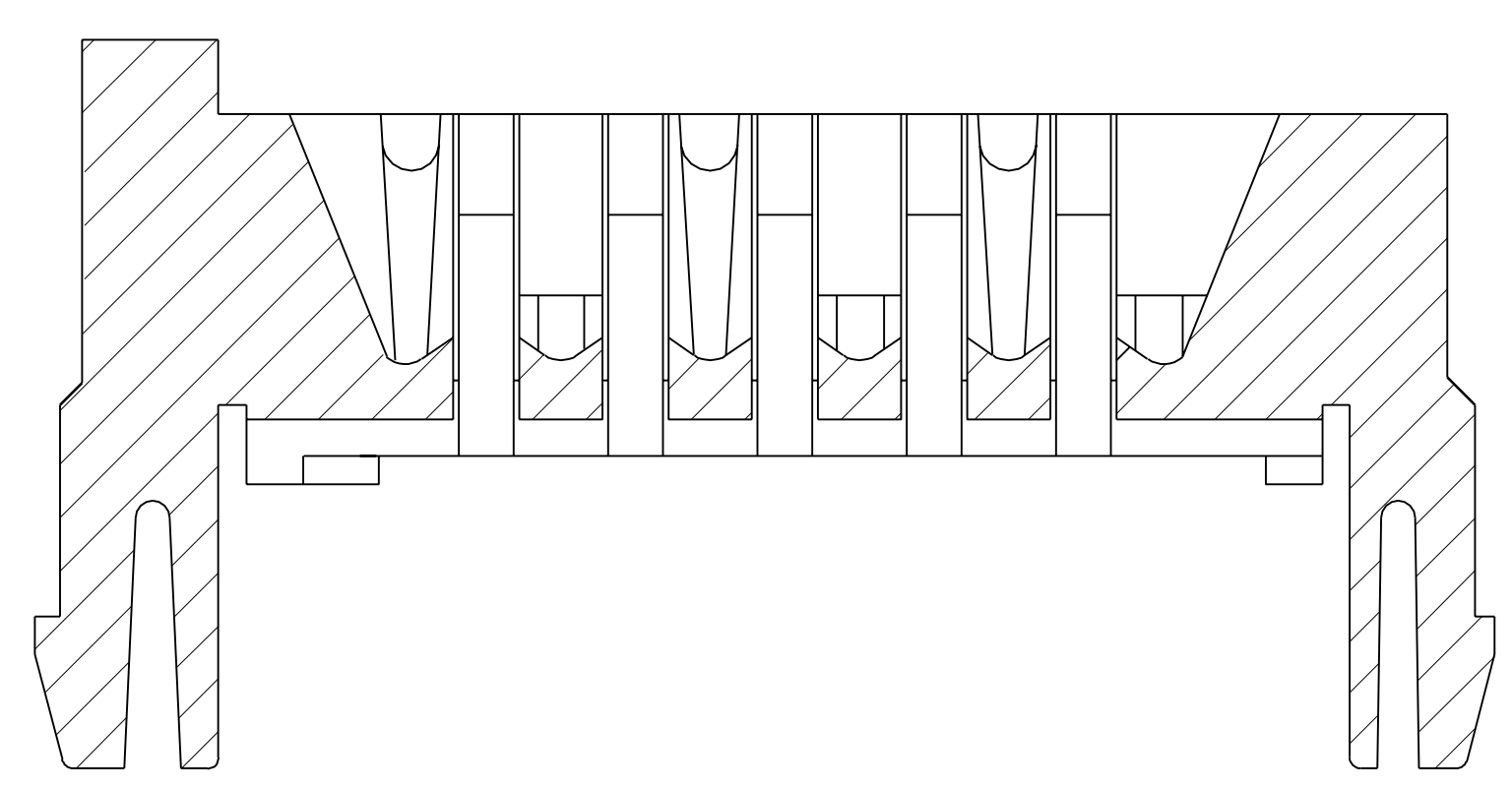
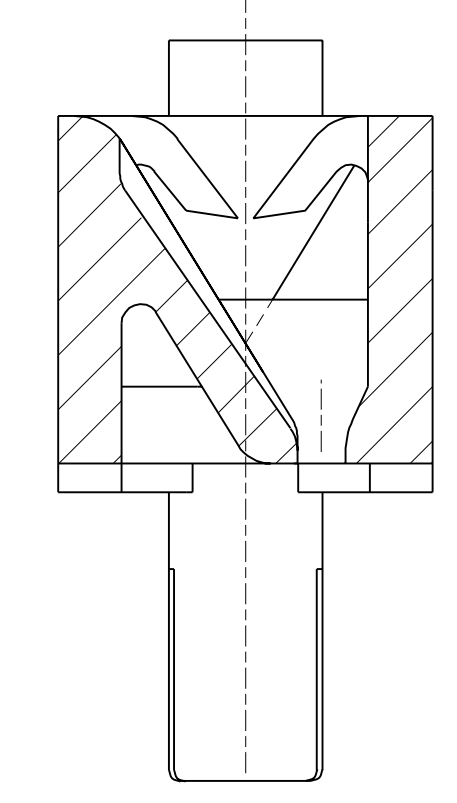
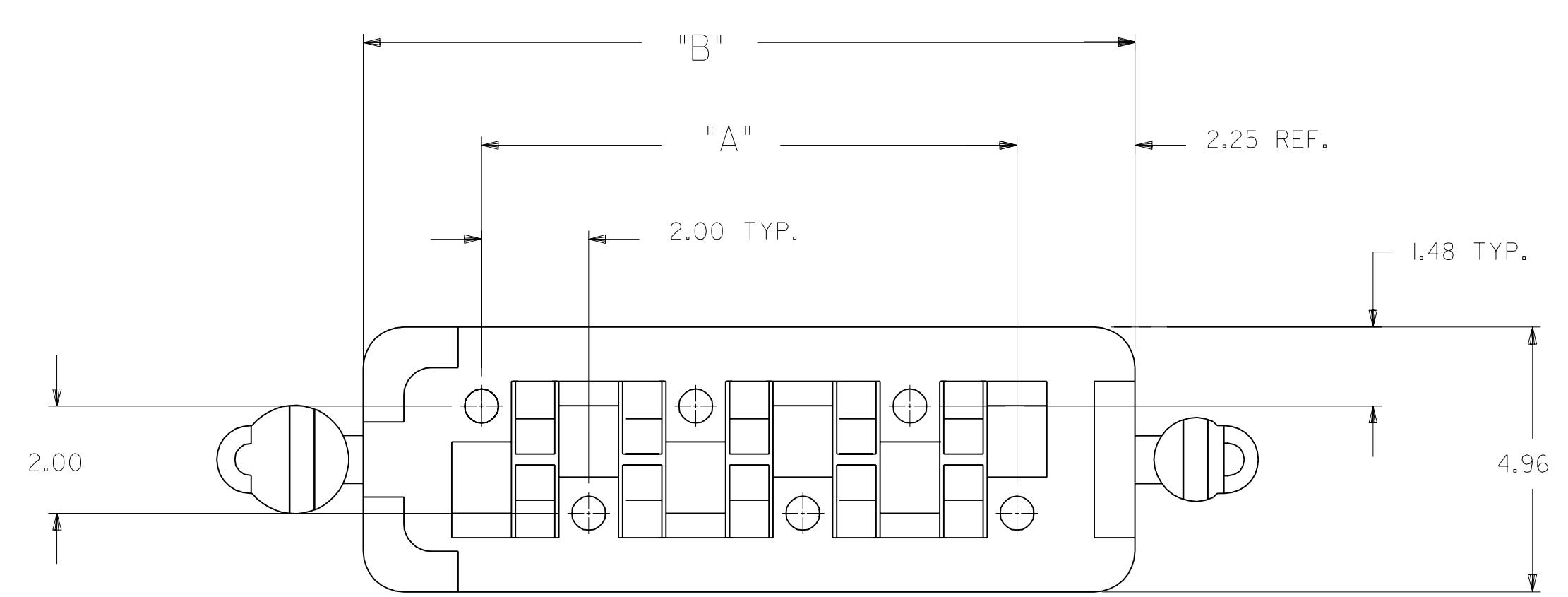
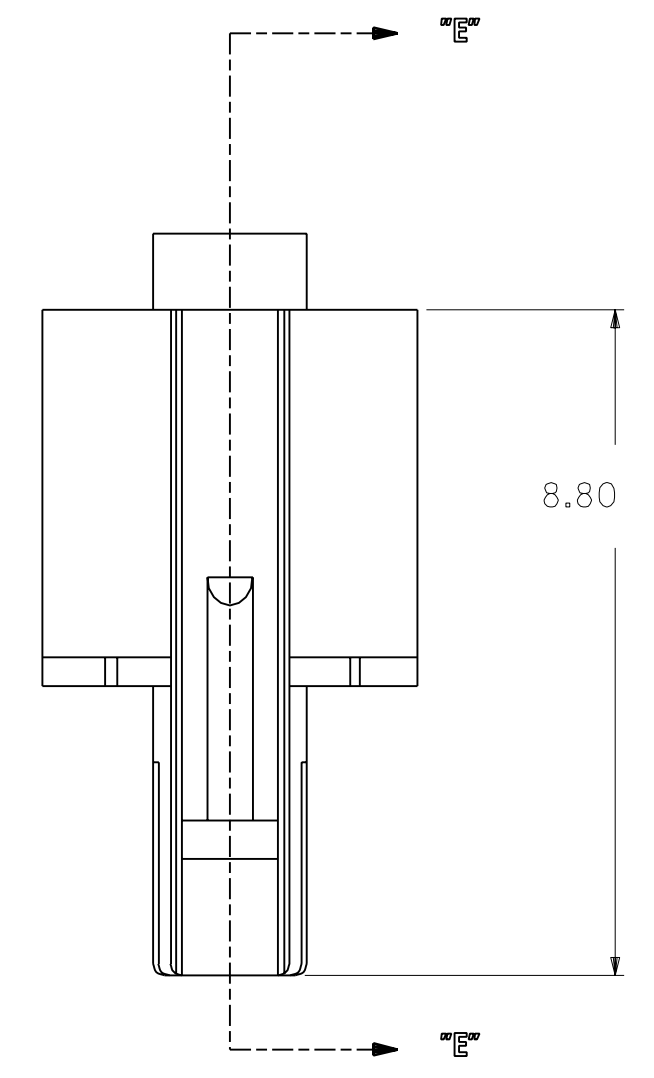
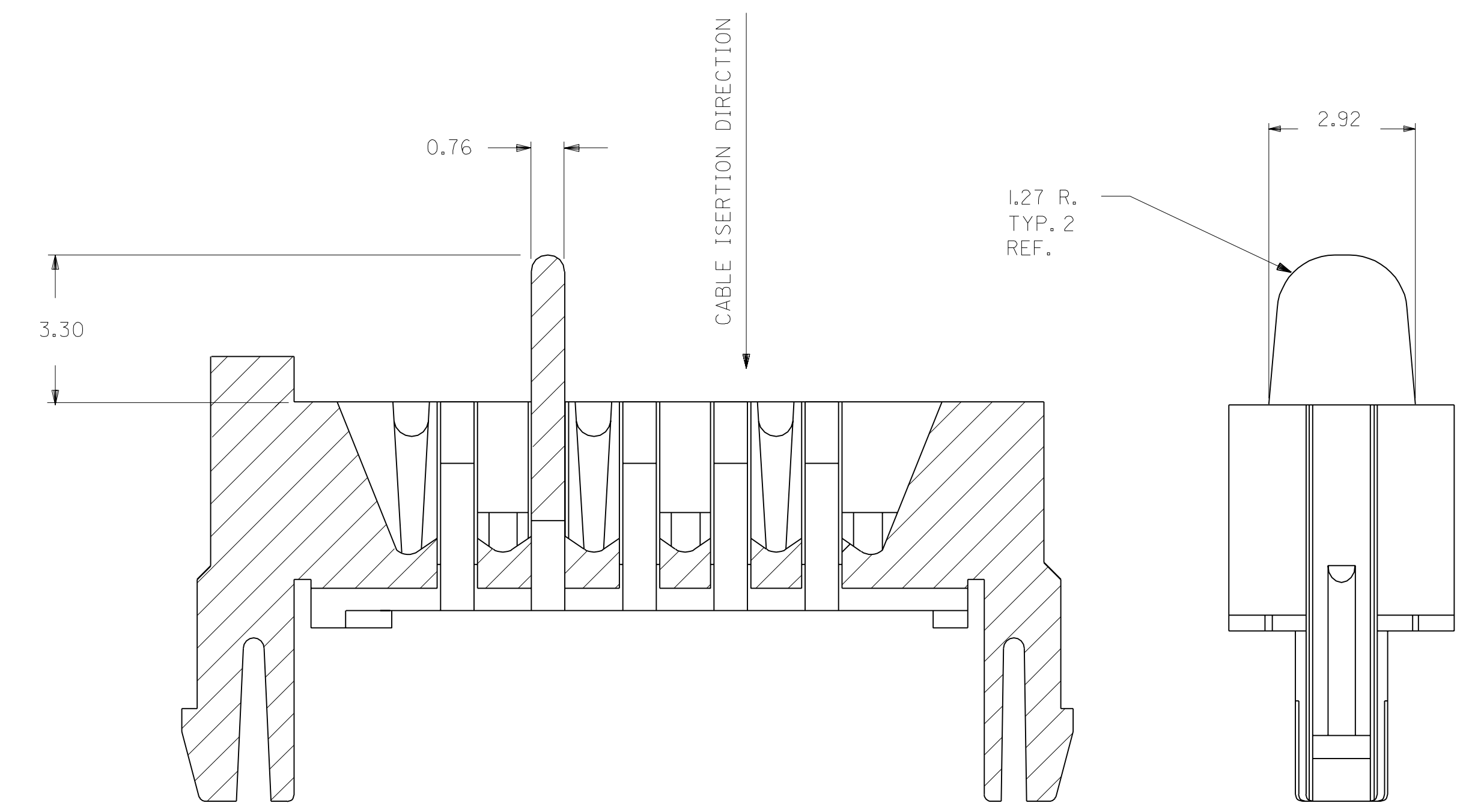


- NOTES:
1. FLASH ON HOLE PERIMETER TO BE .08 MAX.
 2. THE 'X' OR BLANK PRECEEDING THE ITEM NO. INDICATES IT'S NON-AVAILABILITY OR AVAILABILITY, RESPECTIVELY.
 3. PRODUCT SPECIFICATION 30452-0000 APPLIES.



RECOMMENDED P.C. BOARD LAYOUT
BOARD THICKNESS 1.57
BOARD TOLERANCE ± .05



OPTIONAL POLARIZATION FEATURE-
LOCATED BETWEEN CIRCUITS 2 & 3
(SEE CHART SHT. 2)

MATERIAL: POLYESTER, VALOX 457 7.5% GLASS FILLED
POLYESTER OR EQUIVALENT
COLOR : WHITE

| | |
|----|--|
| G | CORRECTED DIM. 'D' ECN # U5-0007 SPM 94-09-23 |
| F | CHANGED DIM. 'C'+2.14" TO 'D'. ADDED NOTE 3 ECN # U40133 SPM 94-01-28 |
| E | ADDED CRITICAL DIM. CORRECTED PEG PICTORIALLY ECN # U31550 SPM 93-10-29 |
| D | UPDATED PEG GEOMETRY ECO # U3-0827 SPM 93-05-28 |
| C | CHANGED DIM. FROM: 2.30 TO: 3.30 ECO # U3-0647 SPM 93-04-27 |
| B | DELETED 'C' ON PLAN VIEW DELETED 1.25 REF DELETED REF'S ECO # U3-0397 SPM 93-03-16 |
| A | ECO NO. U21431 ADDED DIM. C + 2.14 MAX.; ADDED NOTE 2 COL. TO CHART; ITEM NO. WAS ENG. NO.; REV. DELCO P/N'S 8.2 REF. WAS 8.2 2.3 REF. WAS 2.3 1.0 REF. WAS 1.0 4.98 REF. WAS 4.98 1.78 REF. WAS 1.78 1.27 REF. WAS 1.27 2.92 REF. WAS 2.92 ADDED NOTE 2; REL TO PROD. DF 9/22/92 |
| 10 | ADDED 1.00 HIGH POST DF 6/29/92 |
| 9 | UPDATED DWG LEG 05-27-92 |
| 8 | CHANGED MATERIAL AJP/LEG 2/24/92 |
| 7 | REVISED BOARD LOCKS LEG 02-05-92 |
| 6 | MAT'L WAS NYLON ADD OPTIONAL POLARIZATION FEATURE ECR. #U12164 R.J.G. 9/1/11/7 |
| 5 | REV. LEAD-IN ON END CKTS. ECR. #U1862 R.J.G. 9/1/10 |
| 4 | ADD MATERIAL NOTE REV. P.C.B HOLE SIZE AND BOARD LOCK SIZE ECR. #U1150 R.J.G. 9/1/6/26 |
| 3 | ADD 1.25 REF. AND 2.25 REF. R.J.G. 9/1/4/10 |
| 2 | REV. PEGS ECR. #U10729 R.J.G. 9/1/4/2 |
| 1 | WAS 4MM HIGH R.J.G. 9/1/3/13 |

| | | | | | |
|---|-----------|--|-----------|---------------------------|--|
| DIMENSIONS SHOWN (METRIC) INCH | | ▽=2 ▼=0 | | REVISE ONLY ON CAD SYSTEM | |
| UNLESS OTHERWISE SPECIFIED TOLERANCES: ANGULAR ± 1/2° | | | | | |
| INCH | | METRIC | | | |
| 3 PLACE | ± .005 | --- | --- | | |
| 2 PLACE | ± .01 | ± .13 | --- | | |
| 1 PLACE | --- | ± .25 | --- | | |
| DRAWING INFORMATION | | | | | |
| DRWG. NO. | FILE NAME | DATE | SHEET NO. | DATE | |
| SD-30453-*** | S30453 | 9/1/97 | 1 OF 2 | 9/1/97 | |
| SEE CHART | | DIV. SIZE | | | |
| MATERIAL | | POLYESTER, VALOX 457 7.5% GLASS FILLED | | | |

| NOTE 2 | ITEM NO. | CKT. # | DIM. "A" | DIM. "B" | DIM. "C" | DIM. "D" | POLARIZATION | NO. OF CABLE RET. FINGERS |
|--------|-------------|--------|----------|----------|----------|----------|---------------|---------------------------|
| | 304-53-0400 | 4 | 6.00 | 10.50 | 13.00 | 14.90 | NOT AVAILABLE | 3 |
| X | 304-53-0500 | 5 | 8.00 | 12.50 | 15.00 | 16.90 | YES | 4 |
| | 304-53-0600 | 6 | 10.00 | 14.50 | 17.00 | 18.90 | YES | 5 |
| X | 304-53-0700 | 7 | 12.00 | 16.50 | 19.00 | 20.90 | YES | 6 |
| | 304-53-0800 | 8 | 14.00 | 18.50 | 21.00 | 22.90 | YES | 7 |
| | 304-53-0900 | 9 | 16.00 | 20.50 | 23.00 | 24.90 | YES | 8 |
| | 304-53-1000 | 10 | 18.00 | 22.50 | 25.00 | 26.90 | YES | 9 |
| | 304-53-1100 | 11 | 20.00 | 24.50 | 27.00 | 28.90 | YES | 10 |
| | 304-53-1200 | 12 | 22.00 | 26.50 | 29.00 | 30.90 | YES | 10 5 AT EACH END |
| X | 304-53-1300 | 13 | 24.00 | 28.50 | 31.00 | 32.90 | YES | 10 5 AT EACH END |
| X | 304-53-1400 | 14 | 26.00 | 30.50 | 33.00 | 34.90 | YES | 10 5 AT EACH END |
| X | 304-53-1500 | 15 | 28.00 | 32.50 | 35.00 | 36.90 | YES | 10 5 AT EACH END |
| X | 304-53-1600 | 16 | 30.00 | 34.50 | 37.00 | 38.90 | YES | 10 5 AT EACH END |
| X | 304-53-1700 | 17 | 32.00 | 36.50 | 39.00 | 40.90 | YES | 10 5 AT EACH END |
| X | 304-53-1800 | 18 | 34.00 | 38.50 | 41.00 | 42.90 | YES | 10 5 AT EACH END |
| | 304-53-1900 | 19 | 36.00 | 40.50 | 43.00 | 44.90 | YES | 10 5 AT EACH END |
| X | 304-53-2000 | 20 | 38.00 | 42.50 | 45.00 | 46.90 | YES | 10 5 AT EACH END |
| X | 304-53-2100 | 21 | 40.00 | 44.50 | 47.00 | 48.90 | YES | 10 5 AT EACH END |

| | |
|----|-------------|
| G | SEE SHEET I |
| F | SEE SHEET I |
| E | SEE SHEET I |
| D | SEE SHEET I |
| C | SEE SHEET I |
| B | SEE SHEET I |
| A | SEE SHEET I |
| 10 | SEE SHEET I |
| 9 | SEE SHEET I |
| 8 | SEE SHEET I |

| | | | | | |
|--|----------------|--|-------|--|--------|
| DIMENSIONS SHOWN (METRIC) INCH | | UNLESS OTHERWISE SPECIFIED TOLERANCES: ANGULAR ± 1/2° | | MFG. SH. REV. LTR. REVISIONS | |
| | | | | REVISE ONLY ON CAD SYSTEM | |
| INCH METRIC | | TITLE | | CABLE HOLDER 2.00 PITCH | |
| 3 PLACE ± .005 --- | --- | MOLEX INCORPORATED | | SHEET NO. | DATE |
| 2 PLACE ± .01 ± 0.13 | --- | LITTLEFALL, N.J. 07643 | | 2 | 9/11/7 |
| 1 PLACE --- ± 0.25 | --- | MOLEX INCORPORATED | | THIS DRAWING CONTAINS INFORMATION THAT IS PROPRIETARY TO MOLEX INC. AND SHOULD NOT BE USED WITHOUT WRITTEN PERMISSION. | |
| DRAWING WHERE APPLICABLE MUST REMAIN WITHIN DIMENSIONS | | PART NO. | | DRAWG. NO. | |
| | | SEE CHART | | SD-30453-**** | |
| DRWG. BY: RJG | CHK'D. BY: LEG | FILE NAME: S30453X2 | DIV.: | | SIZE: |
| APP'D. BY: SC | SCALE: 10:1 | THIS DRAWING CONTAINS INFORMATION THAT IS PROPRIETARY TO MOLEX INC. AND SHOULD NOT BE USED WITHOUT WRITTEN PERMISSION. | | AU | D |