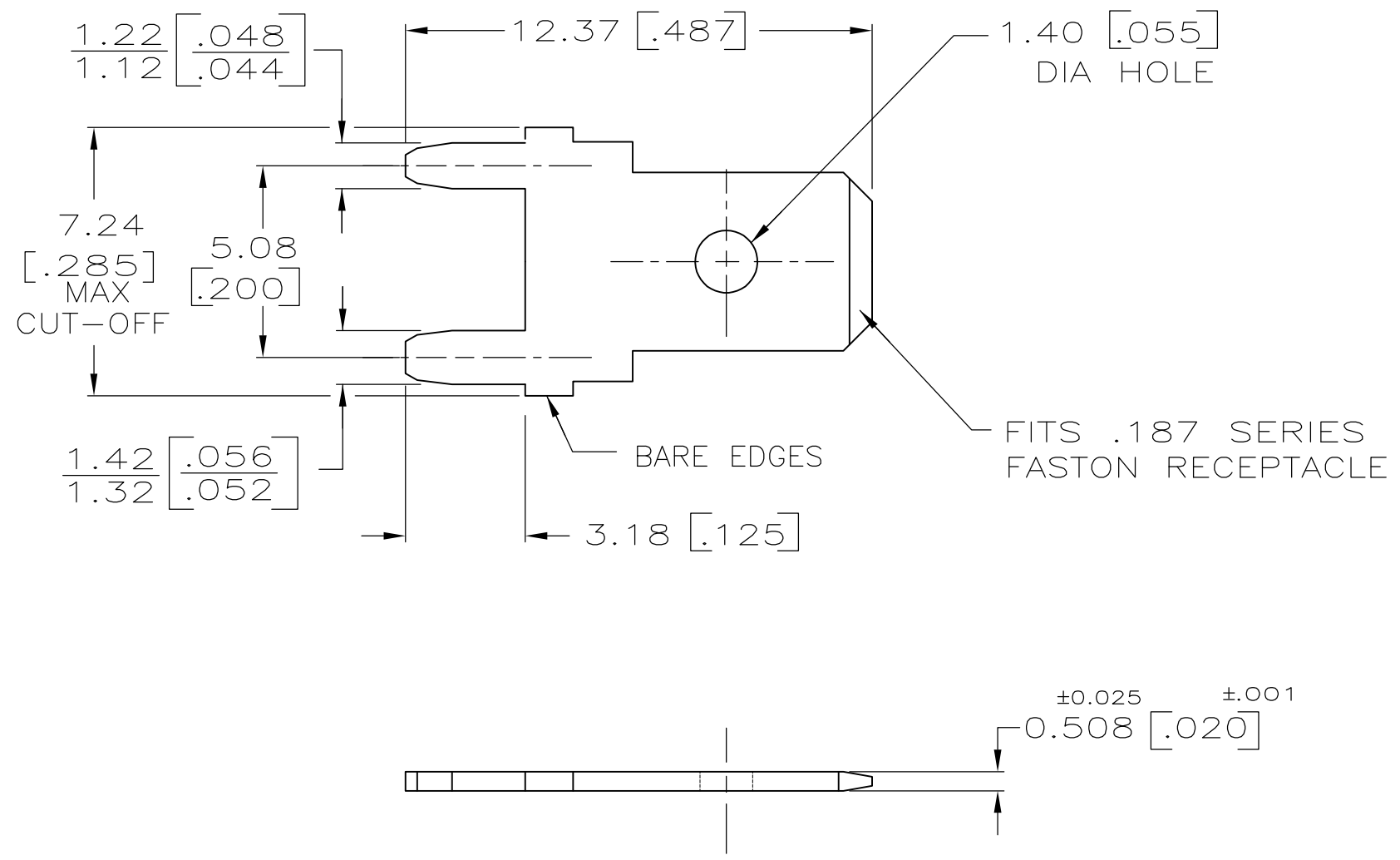
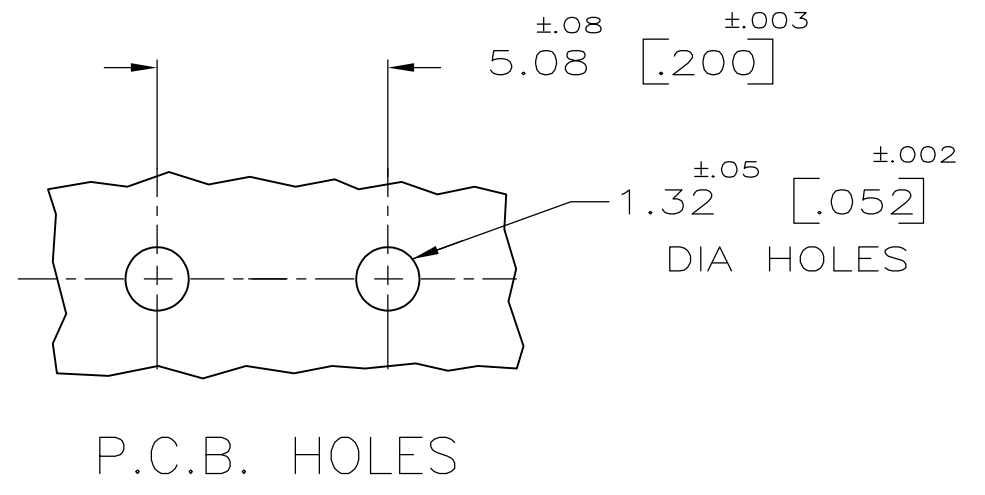


THIS DRAWING IS UNPUBLISHED. RELEASED FOR PUBLICATION
 © COPYRIGHT - By - ALL RIGHTS RESERVED.

LOC	DIST	REVISIONS			
P	LTR	DESCRIPTION	DATE	DWN	APVD
AF	50	B	REVISED PER ECR-13-011489	16DEC2013	KH PD



- 1 SUPPLIED IN LOOSE PIECE.
- 2 TIN PLATE 0.00381 [.000150] MIN
THK OVER COPPER 0.00254 [.000100]
MIN THK.



1217131-1
PART NO.

THIS DRAWING IS A CONTROLLED DOCUMENT.		DWN	JR RUTH	9/DEC/98	TE Connectivity NAME TAB, FASTON, 4.75 [.187] SERIES, PC BOARD			RESTRICTED TO			
DIMENSIONS: mm [INCHES]		CHK	MS FEHER	9/DEC/98				SIZE		CAGE CODE	DRAWING NO
TOLERANCES UNLESS OTHERWISE SPECIFIED:		APVD	S UNGER	9/DEC/98				A3		00779	C-1217131
0 PLC ± - 1 PLC ± - 2 PLC ± 0.25 [.010] 3 PLC ± - 4 PLC ± - ANGLES ± -		PRODUCT SPEC	-					SCALE		6:1	SHEET
MATERIAL		FINISH	2		CUSTOMER DRAWING		1 OF 1		REV	B	
BRASS		TIN OVER COPPER		-		-		-			