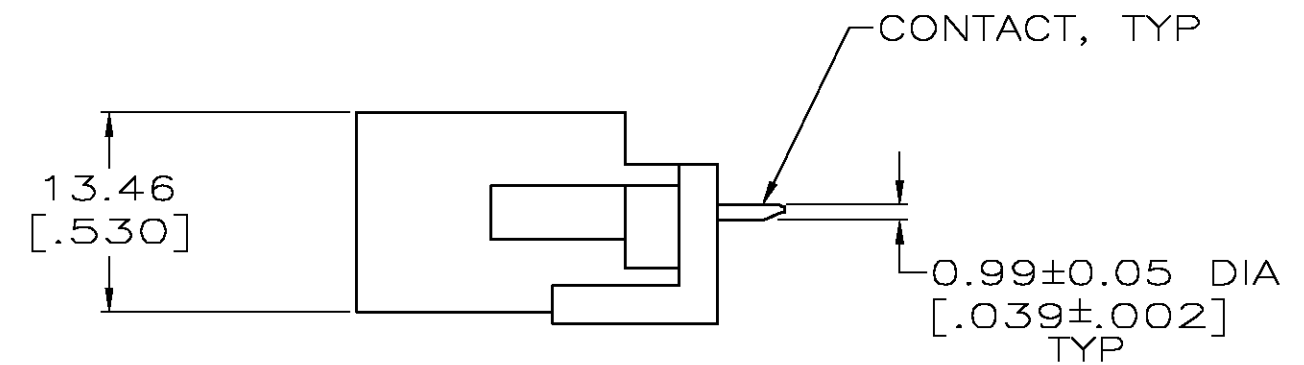
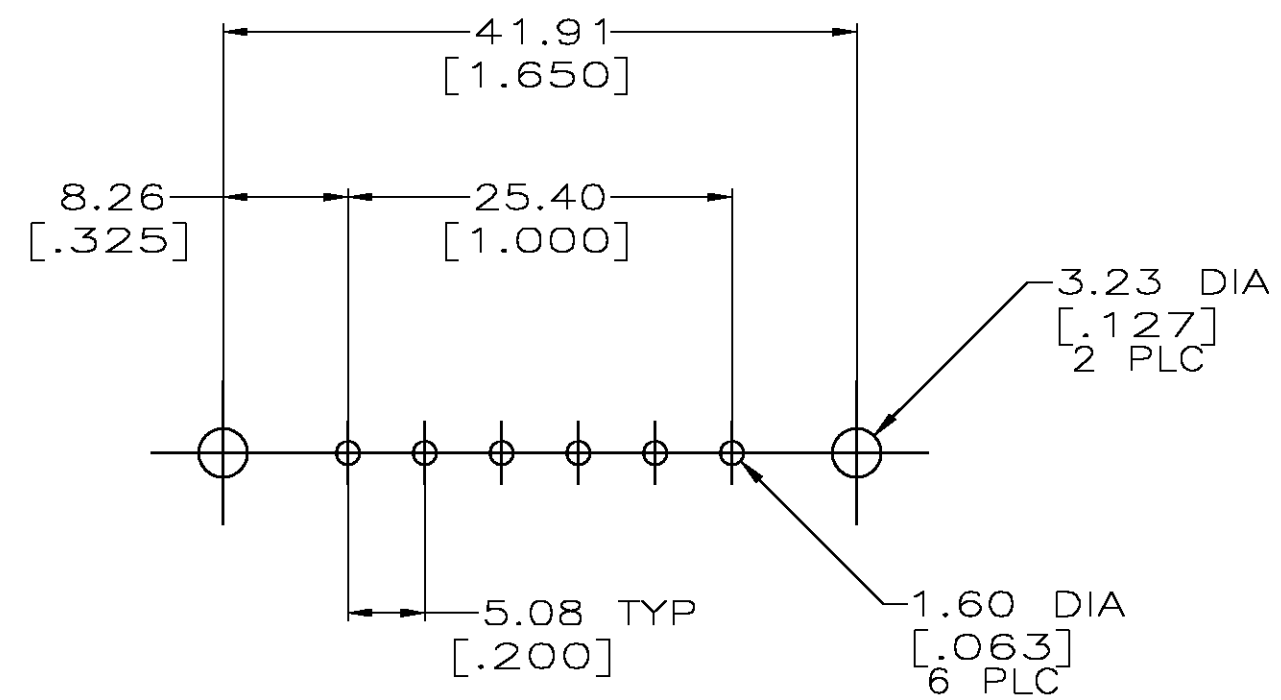
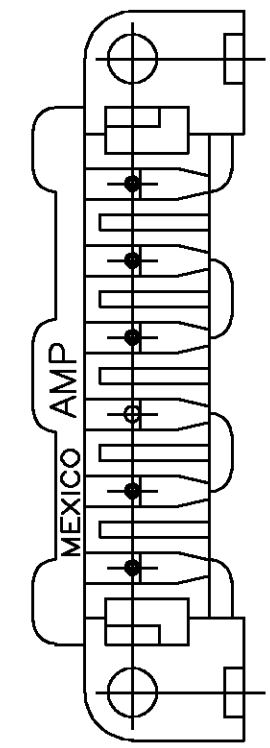
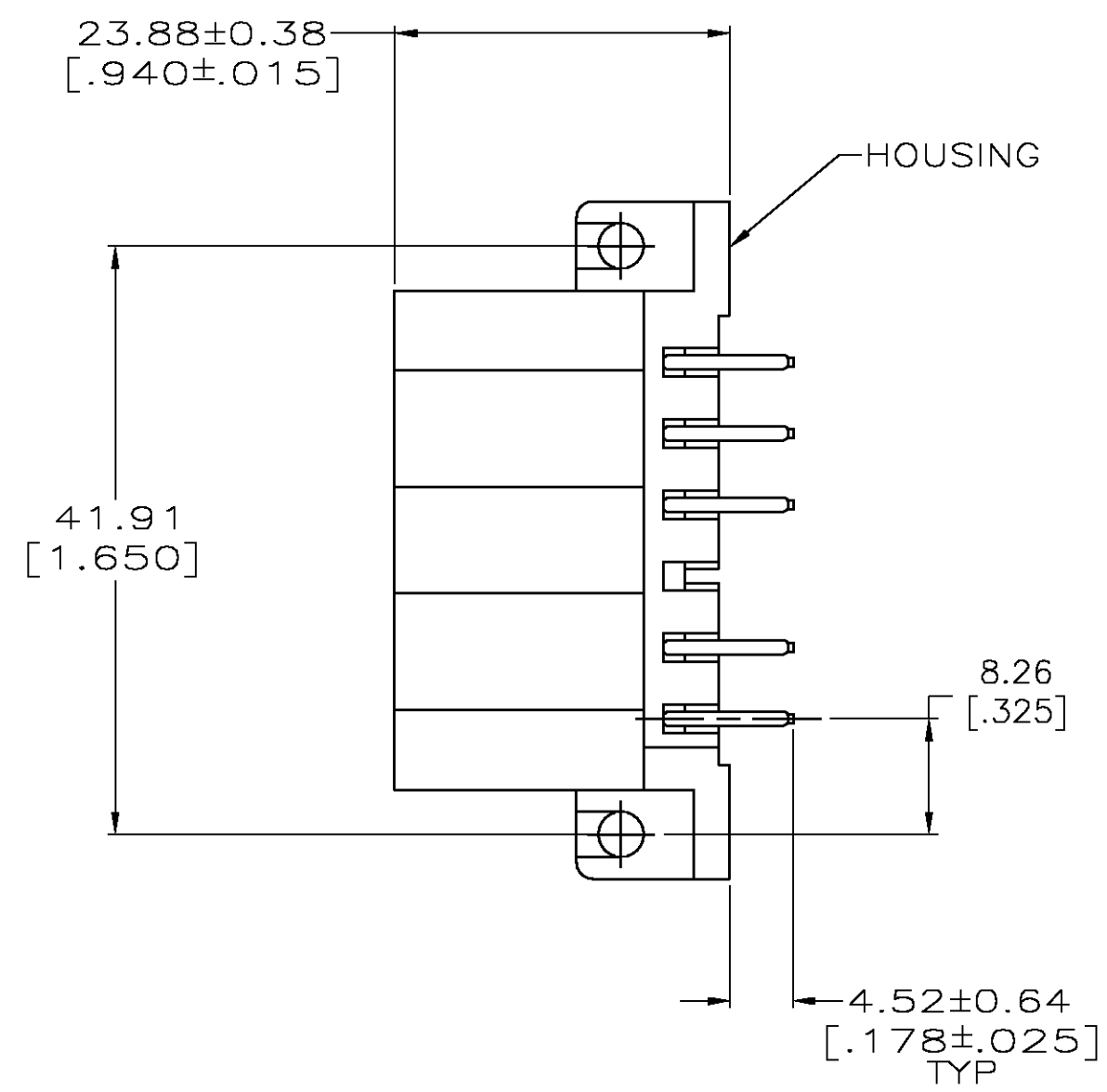
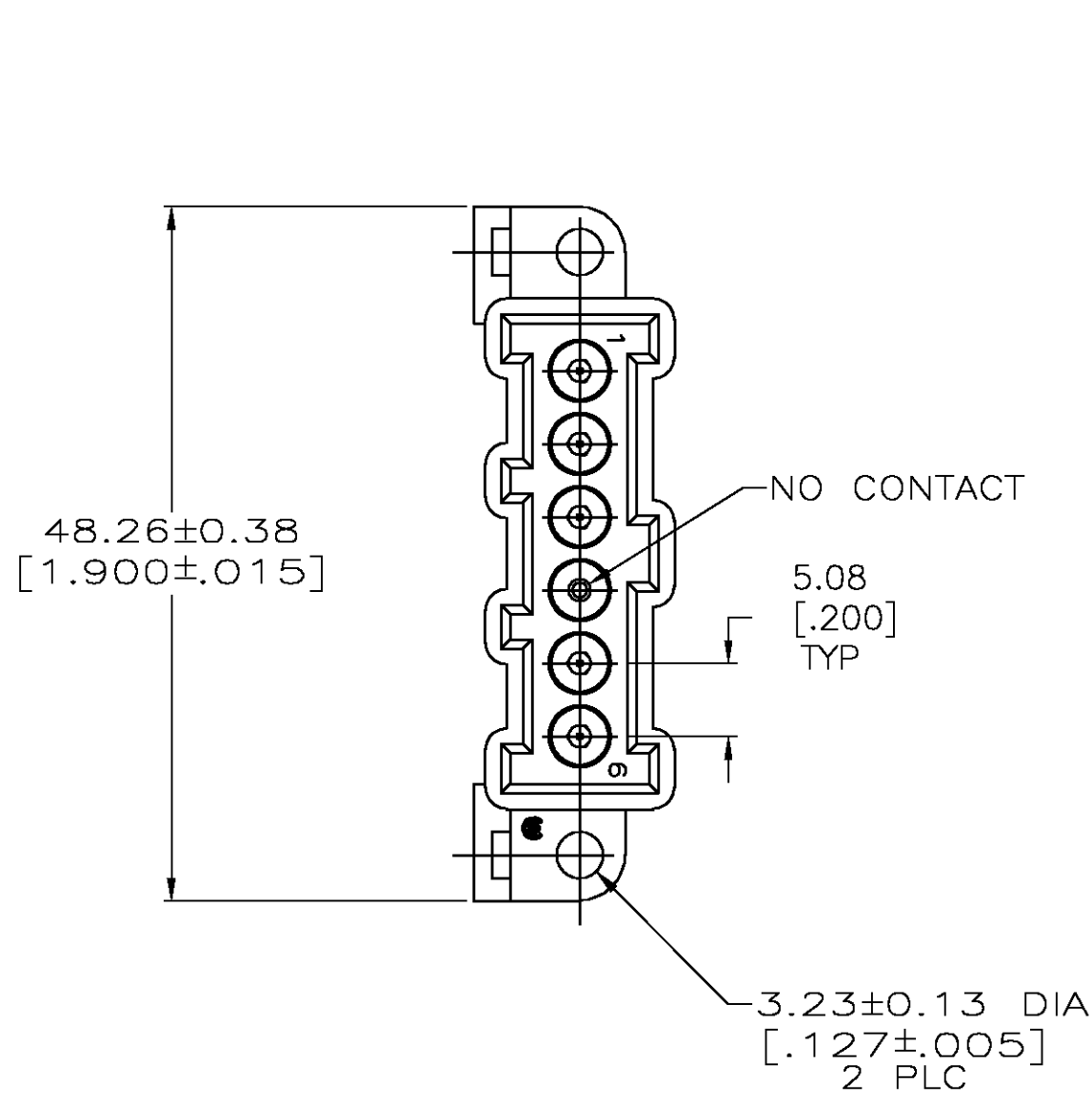


THIS DRAWING IS UNPUBLISHED. RELEASED FOR PUBLICATION
 © COPYRIGHT BY TYCO ELECTRONICS CORPORATION. ALL RIGHTS RESERVED.

LOC	DIST	REVISIONS			
P	LTR	DESCRIPTION	DATE	DWN	APVD
FT	0	F	REVISED PER 0G3B-0168-05	3/11/05	SS GS



RECOMMENDED PC BOARD LAYOUT

- ① THERMOPLASTIC, RED.
- ② BRASS PER MIL-C-50.
- ③ 3.81um [.000150] MIN TIN-LEAD OVER COPPER 2.54um [.000100] MIN PER MIL-C-14550 OR NICKEL 1.27um [.000050] MIN PER QQ-N-290.
- ④ 3.81um [.000150] MIN TIN OVER COPPER 2.54um [.000100] MIN PER MIL-C-14550 OR NICKEL 1.27um [.000050] MIN PER QQ-N-290.

④	212572-3
③	212572-2
FINISH	PART NUMBER

THIS DRAWING IS A CONTROLLED DOCUMENT.		DWN D.HARDY 09-13-94	Tyco Electronics Corporation Harrisburg, Pa 17105-3608	
DIMENSIONS: mm [INCHES]		CHK R.STONE 10-27-94	NAME	
TOLERANCES UNLESS OTHERWISE SPECIFIED:		APVD -	PRODUCT SPEC	
0 PLC ± -		APPLICATION SPEC	-	
1 PLC ± -		WEIGHT	-	
2 PLC ± 0.25[.010]		SCALE	2:1	
3 PLC ± -		SHEET	1 OF 1	
4 PLC ± -		REV	F	
ANGLES ± -		CUSTOMER DRAWING		
MATERIAL		FINISH		
HOUSING: ①		CONTACTS: SEE TABLE		
CONTACTS: ②		SIZE CAGE CODE DRAWING NO RESTRICTED TO		
		A2 00779 C=212572		