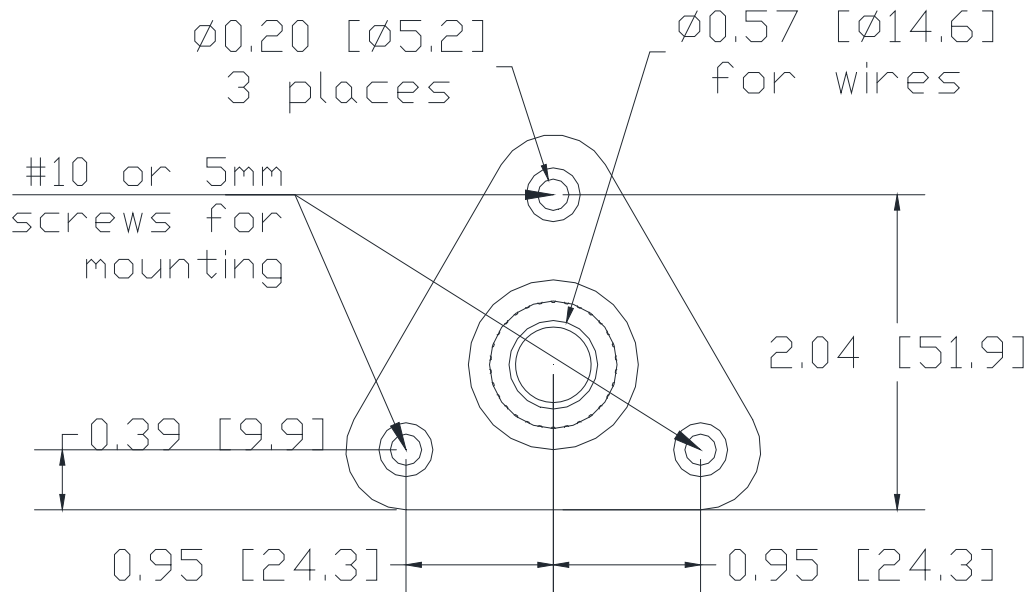


**Mounting Bracket**



Dimensions: inches[mm]

**Assembly Procedure**

Thread J-POLE-S or J-POLE-E into Mounting Bracket. Place a J-GASKET onto surface shown for Sealing.

Material: ABS777D

UL50, C22.2 No.94, NEMA Type 3R, 4X, & 12, and IP66 approved, RoHS compliant, Gasket.