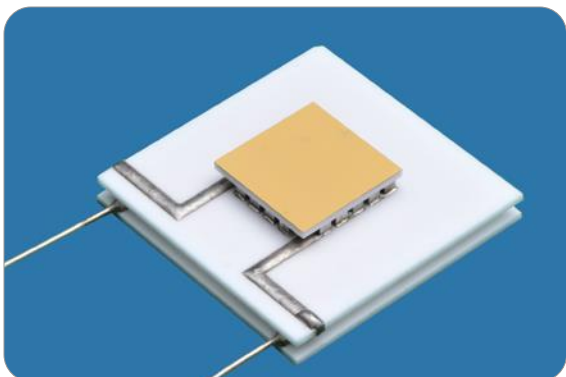




marlow industries, inc.[®]
Subsidiary of II-VI INCORPORATED

TECHNICAL DATA SHEET



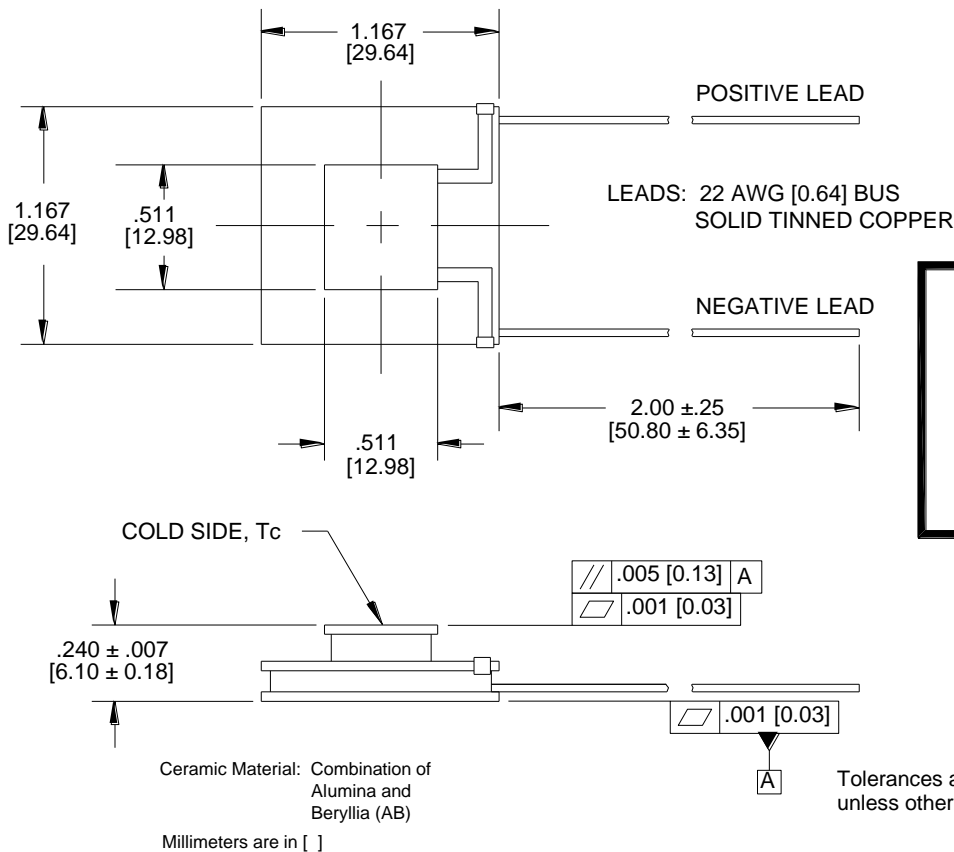
NL2064T

Thermoelectric Cooler
RoHS EU Compliant

TYPICAL PERFORMANCE VALUES

Hot Side Temperature (°C)	27°C	50°C
Δ Tmax (°C-dry N ₂):	93	105
Qmax (watts):	10.4	11.2
Imax (amps):	5.4	5.4
Vmax (vdc):	8.6	9.6
AC Resistance (ohms):	1.43	--

MECHANICAL CHARACTERISTICS



Beryllium Oxide Handling Precautions

Beryllium oxide can be toxic only when dust, mist, or fumes containing particles small enough to enter the lungs are inhaled. For the user, precautions required are to avoid grinding, machining or pulverizing the material by mechanical, thermal, or chemical processing.

marlow industries, inc.

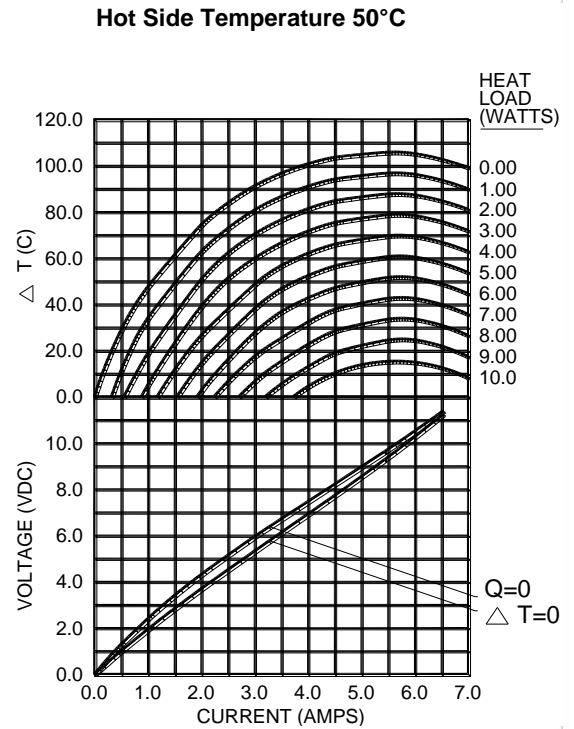
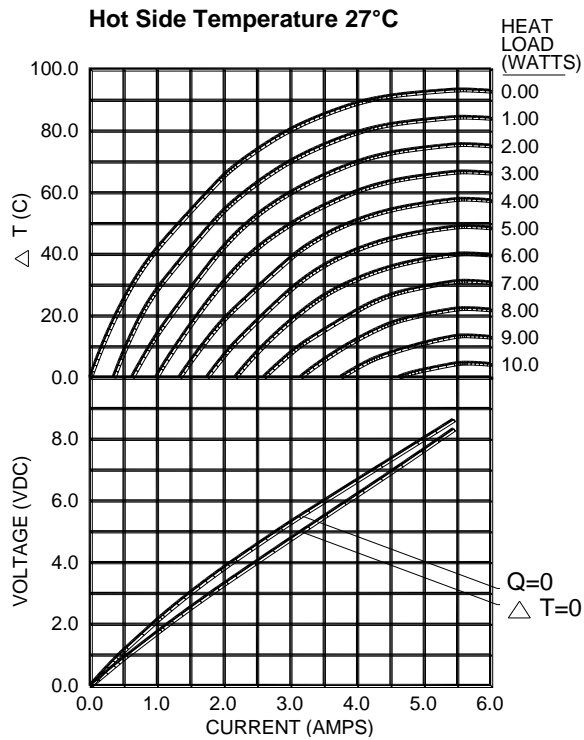
ORDERING OPTIONS

Model Number	Description
NL2064T-11AB	both surfaces are metallized, wire buss tin coated
NL2064T-12AB	hot side exterior is metallized, wire buss tin coated
NL2064T-13AB	no metallization, wire buss tin coated
NL2064T-14AB	no metallization, wire buss gold over Ni/ Cu

AVAILABLE MODIFICATIONS

Pretinned metallized ceramic surface(s) with 117°C solder.
Thermistor mounted on edge of cold side ceramic. (Calibration available.)
Elevated temperature burn-in with test data provided.

ENVIRONMENT: ONE ATMOSPHERE DRY NITROGEN



For performance information in a vacuum or with hot side temperatures other than 27°C or 50°C, consult one of our Applications Engineers.

Installation

Recommended mounting methods: Bonding with thermal epoxy or soldering with metallized ceramics. For additional information, please refer to our TEC Installation Guide.

Operation Cautions

For maximum reliability, storage and operation below 85°C in a non-condensing environment is recommended. To minimize thermal stress, use linear/proportional temperature control or a similar method rather than an ON/OFF method.

CONTACT US:

For customer support or general questions please contact a local office below or consult our website for distributor information.

Marlow Industries, Inc.
10451 Vista Park Road
Dallas Texas 75238-1645
214-340-4900 (tel)
214-341-5212 (fax)
www.marlow.com

Marlow Industries Europe GmbH
Brunnenweg 19-21
64331 Weiterstadt
Germany
Tel.: +49 (0) 6150 5439 - 403
Fax: +49 (0) 6150 5439 - 400
info@marlow-europe.eu

II-VI Japan Inc.
WBG Marive East 17F
2-6 Nakase, Mihama-ku
Chiba-Shi, Chiba 261-7117
Japan
81 43 297 2693 (tel)
81 43 297 3003 (fax)
center@ii-vi.co.jp
www.ii-vi.co.jp

II-VI Singapore Pte., Ltd.
Blk. 5012, Techplace II
#04-07 & 05-07/12, Ang Mo Kio Ave. 5
Singapore 569876
(65) 6481 8215 (tel)
(65) 6481 8702 (fax)
info@ii-vi.com.sg
www.ii-vi.com.sg

Marlow Industries China, II-VI
Technologies Beijing
A subsidiary of II-VI Incorporated
Rm 202, 1# Lize 2nd Middle Road
Wangjing, Chaoyang District
Beijing 100102 China
010-64398226 ext 105 (tel)
010-64399315 (fax)
info@iivibj.com