

## **SKY13489-001**

### **0.7 To 2.7 GHz SPDT High Power Switch (Single Bit Control) In A WLCSP Package**

#### **OVERVIEW**

#### **SPECIFICATIONS**

## **Overview**

The SKY13489-001 is a single-pole, double-throw (SPDT) LTE/WCDMA/GSM transmit switch. Switching is controlled by an integrated GPIO interface with a single control pin. Depending on the logic voltage level applied to the control pin, the antenna port is connected to one of the switched RF outputs (RF1 or RF2) through a low insertion loss path, while the path between the antenna port and the other RF port is in a high isolation state.

No external DC blocking capacitors are required as long as no DC voltage is applied on any RF path.

The SKY13489-001 is provided in a compact 6-bump, 1.135 x 0.735 x 0.400 mm Wafer Level Chip Scale Package (WLCSP) that meets requirements for board-level assembly. Bump diameters are 217 microns with a minimum bump pitch of 400 microns.

## Features

Broadband frequency range: 0.7 to 2.7 GHz

Low insertion loss: 0.3 dB @ 2.7 GHz

High isolation: 22 dB up to 2.7 GHz

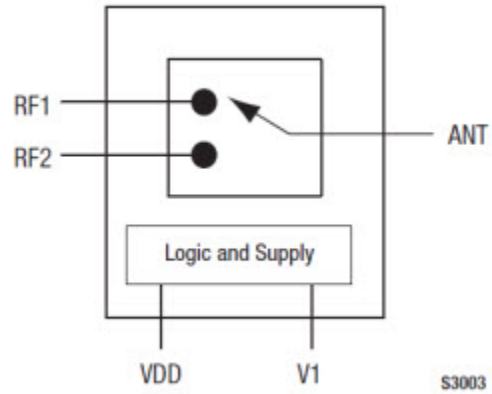
No external DC blocking capacitors required

Single GPIO control line with VDD voltage regulator:

VCTL = 1.35 to 3.00 V

VDD = 2.45 to 4.80 V

Small, 6-bump WLCSP, 217  $\mu\text{m}$  diameter, 400  $\mu\text{m}$  pitch (1.135 x 0.735 x 0.400 mm) package (MSL1, 260 °C per JEDEC J-STD-020)



## Specifications

<b>ProductName :</b>	<b>SKY13489-001</b>
<b>Description (Absorptive/ Reflective) :</b>	<b>SPDT (R)</b>
<b>Frequency (GHz) Min. :</b>	<b>0.7</b>
<b>Frequency (GHz) Max. :</b>	<b>2.7</b>

<b>Typ. IL (dB) :</b>	<b>0.25</b>
<b>Typ. Isol. (dB) :</b>	<b>32</b>
<b>Typ. IIP3 (dBm) :</b>	<b>Typ IMD3, -120</b>
<b>Typ. IP<sub>1 dB</sub> (dBm) :</b>	<b>39</b>
<b>Package :</b>	<b>6 bump wLCSP,</b>
<b>Package (mm) :</b>	<b>0.7 x 1.1 x 0.41</b>
<b>Product Information:</b>	 <b>New</b> <b>Frequency Max.: ≥1 GHz and &lt;2.9 GHz</b> <b>Frequency Min.: ≥400 MHz</b> <b>Function: SPDT / SP2T</b> <b>Package Type: WLCSP</b> <b>Status: New</b>