

Important notice

Dear Customer,

On 7 February 2017 the former NXP Standard Product business became a new company with the tradename **Nexperia**. Nexperia is an industry leading supplier of Discrete, Logic and PowerMOS semiconductors with its focus on the automotive, industrial, computing, consumer and wearable application markets

In data sheets and application notes which still contain NXP or Philips Semiconductors references, use the references to Nexperia, as shown below.

Instead of <http://www.nxp.com>, <http://www.philips.com/> or <http://www.semiconductors.philips.com/>, use <http://www.nexperia.com>

Instead of sales.addresses@www.nxp.com or sales.addresses@www.semiconductors.philips.com, use salesaddresses@nexperia.com (email)

Replace the copyright notice at the bottom of each page or elsewhere in the document, depending on the version, as shown below:

- © NXP N.V. (year). All rights reserved or © Koninklijke Philips Electronics N.V. (year). All rights reserved

Should be replaced with:

- © **Nexperia B.V. (year). All rights reserved.**

If you have any questions related to the data sheet, please contact our nearest sales office via e-mail or telephone (details via salesaddresses@nexperia.com). Thank you for your cooperation and understanding,

Kind regards,

Team Nexperia

74CBTLVD3861

10-bit level-shifting bus switch with output enable

Rev. 4 — 14 December 2011

Product data sheet

1. General description

The 74CBTLVD3861 is a 10-bit 3.3 V to 1.8 V level translating bus switch with one output enable (\overline{OE}) input. When \overline{OE} is LOW, the switch is closed and port A is connected to the B port. When \overline{OE} is HIGH, the switch is disabled.

To ensure the high-impedance OFF-state during power-up or power-down, \overline{OE} should be tied to the V_{CC} through a pull-up resistor. The minimum value of the resistor is determined by the current-sinking capability of the driver.

Schmitt trigger action at control input makes the circuit tolerant to slower input rise and fall times across the entire V_{CC} range from 3.0 V to 3.6 V.

This device is fully specified for partial power-down applications using I_{OFF} .

2. Features and benefits

- Supply voltage range from 3.0 V to 3.6 V
- High noise immunity
- Complies with JEDEC standard:
 - ◆ JESD8-B/JESD36 (3.0 V to 3.6 V)
- ESD protection:
 - ◆ HBM JESD22-A114F exceeds 2000 V
 - ◆ CDM AEC-Q100-011 revision B exceeds 1000 V
- 4 Ω switch connection between two ports
- 3.3 V to 1.8 V level translation
- CMOS low power consumption
- Latch-up performance exceeds 250 mA per JESD78B Class I level A
- I_{OFF} circuitry provides partial Power-down mode operation
- Multiple package options
- Specified from $-40\text{ }^{\circ}\text{C}$ to $+85\text{ }^{\circ}\text{C}$ and $-40\text{ }^{\circ}\text{C}$ to $+125\text{ }^{\circ}\text{C}$



3. Ordering information

Table 1. Ordering information

Type number	Package			Version
	Temperature range	Name	Description	
74CBTLVD3861DK	-40 °C to +125 °C	SSOP24 ^[1]	plastic shrink small outline package; 24 leads; body width 3.9 mm; lead pitch 0.635 mm	SOT556-1
74CBTLVD3861PW	-40 °C to +125 °C	TSSOP24	plastic thin shrink small outline package; 24 leads; body width 4.4 mm	SOT355-1
74CBTLVD3861BQ	-40 °C to +125 °C	DHVQFN24	plastic dual in-line compatible thermal enhanced very thin quad flat package; no leads; 24 terminals; body 3.5 × 5.5 × 0.85 mm	SOT815-1

[1] Also known as QSOP24 package

4. Functional diagram

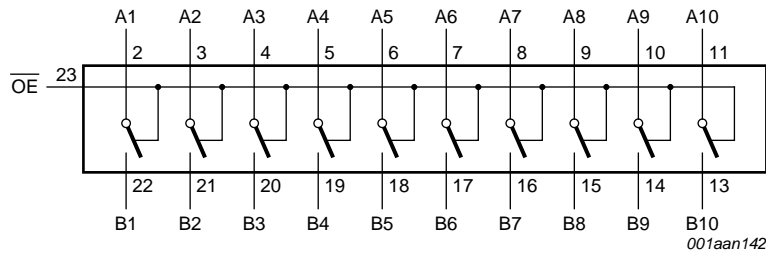


Fig 1. Logic symbol

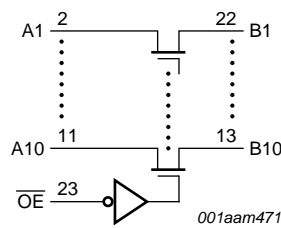


Fig 2. Logic diagram

5. Pinning information

5.1 Pinning

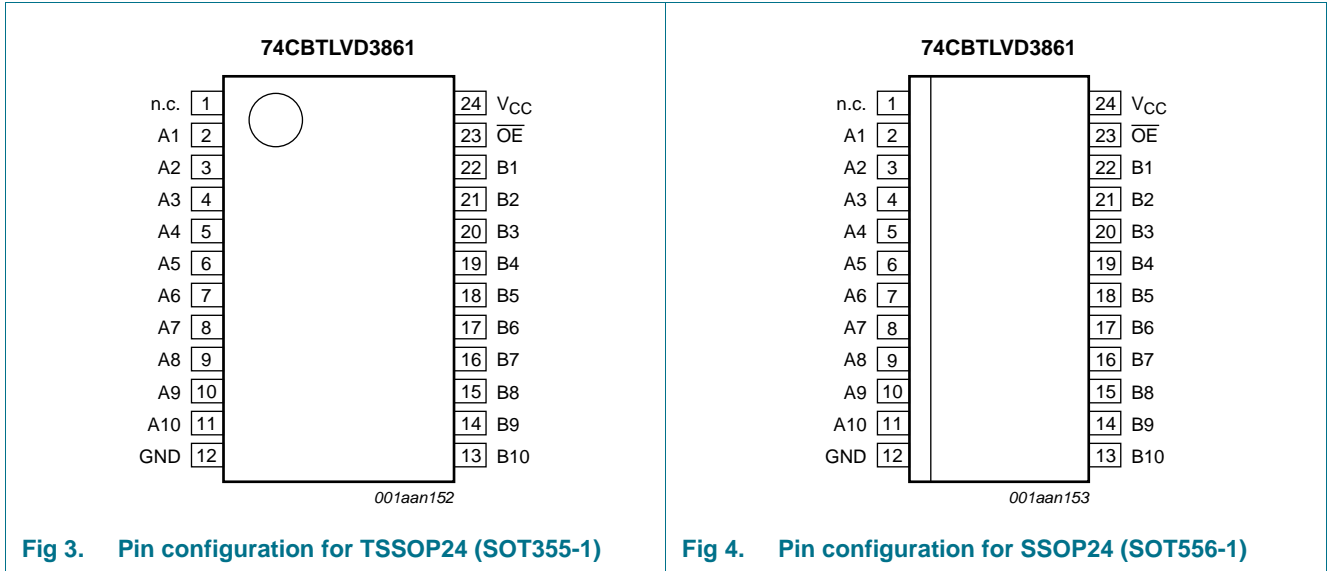
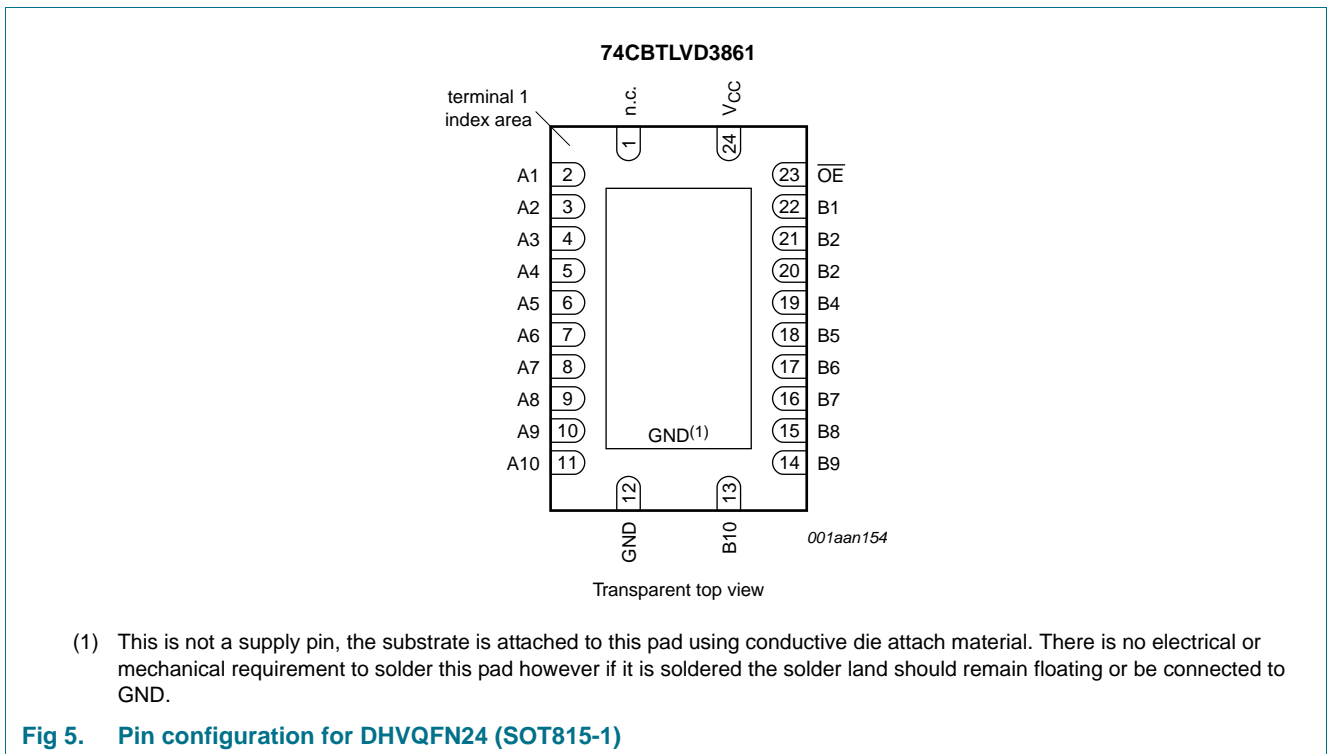


Fig 3. Pin configuration for TSSOP24 (SOT355-1)

Fig 4. Pin configuration for SSOP24 (SOT556-1)



(1) This is not a supply pin, the substrate is attached to this pad using conductive die attach material. There is no electrical or mechanical requirement to solder this pad however if it is soldered the solder land should remain floating or be connected to GND.

Fig 5. Pin configuration for DHVQFN24 (SOT815-1)

5.2 Pin description

Table 2. Pin description

Symbol	Pin	Description
nc	1	not connected
A1 to A10	2, 3, 4, 5, 6, 7, 8, 9, 10, 11	data input/output (A port)
GND	12	ground (0 V)
B1 to B10	22, 21, 20, 19, 18, 17, 16, 15, 14, 13	data input/output (B port)
\overline{OE}	23	output enable input (active LOW)
V_{CC}	24	positive supply voltage

6. Functional description

Table 3. Function selection^[1]

Input	Input/output
\overline{OE}	An, Bn
L	An = Bn
H	Z

[1] H = HIGH voltage level; L = LOW voltage level; Z = high-impedance OFF-state.

7. Limiting values

Table 4. Limiting values

In accordance with the Absolute Maximum Rating System (IEC 60134). Voltages are referenced to GND (ground = 0 V).

Symbol	Parameter	Conditions	Min	Max	Unit
V_{CC}	supply voltage		-0.5	+4.6	V
V_I	input voltage		^[1] -0.5	+4.6	V
V_{SW}	switch voltage	enable and disable mode	^[1] -0.5	$V_{CC} + 0.5$	V
I_{IK}	input clamping current	$V_I < -0.5$ V	-50	-	mA
I_{SK}	switch clamping current	$V_I < -0.5$ V	-50	-	mA
I_{SW}	switch current	$V_{SW} = 0$ V to V_{CC}	-	±128	mA
I_{CC}	supply current		-	+100	mA
I_{GND}	ground current		-100	-	mA
T_{stg}	storage temperature		-65	+150	°C
P_{tot}	total power dissipation	$T_{amb} = -40$ °C to +125 °C	^[2] -	500	mW

[1] The minimum input and output voltage ratings may be exceeded if the input and output current ratings are observed.

[2] For SSOP24 and TSSOP24 packages: P_{tot} derates linearly with 5.5 mW/K above 60 °C.
For DHVQFN24 package: P_{tot} derates linearly at 4.5 mW/K above 60 °C.

8. Recommended operating conditions

Table 5. Recommended operating conditions

Symbol	Parameter	Conditions	Min	Max	Unit
V_{CC}	supply voltage		3.0	3.6	V
V_I	input voltage		0	3.6	V
V_{SW}	switch voltage	enable and disable mode	0	V_{CC}	V
T_{amb}	ambient temperature		-40	+125	°C
$\Delta t/\Delta V$	input transition rise and fall rate	$V_{CC} = 3.0\text{ V to }3.6\text{ V}$	[1]	200	ns/V

[1] Applies to control signal levels.

9. Static characteristics

Table 6. Static characteristics

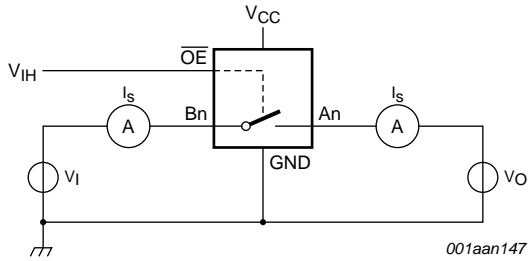
At recommended operating conditions voltages are referenced to GND (ground = 0 V).

Symbol	Parameter	Conditions	$T_{amb} = -40\text{ °C to }+85\text{ °C}$			$T_{amb} = -40\text{ °C to }+125\text{ °C}$		Unit
			Min	Typ ^[1]	Max	Min	Max	
V_{IH}	HIGH-level input voltage	$V_{CC} = 3.0\text{ V to }3.6\text{ V}$	2.0	-	-	2.0	-	V
V_{IL}	LOW-level input voltage	$V_{CC} = 3.0\text{ V to }3.6\text{ V}$	-	-	0.9	-	0.9	V
I_I	input leakage current	pin \overline{OE} ; $V_I = \text{GND to }V_{CC}$; $V_{CC} = 3.6\text{ V}$	-	-	± 1	-	± 20	μA
V_{pass}	pass voltage	$V_I = V_{CC}$; see Figure 8 to Figure 12	-	-	-	-	-	V
$I_{S(OFF)}$	OFF-state leakage current	$V_{CC} = 3.6\text{ V}$; see Figure 6	-	-	± 1	-	± 20	μA
$I_{S(ON)}$	ON-state leakage current	$V_{CC} = 3.6\text{ V}$; see Figure 7	-	-	± 1	-	± 20	μA
I_{OFF}	power-off leakage current	V_I or $V_O = 0\text{ V to }3.6\text{ V}$; $V_{CC} = 0\text{ V}$	-	-	± 10	-	± 50	μA
I_{CC}	supply current	$V_I = V_{CC}$; $I_O = 0\text{ A}$; $V_{CC} = 3.6\text{ V}$; $V_{SW} = \text{GND or }V_{CC}$	-	-	20	-	50	μA
		$V_I = \text{GND}$; $I_O = 0\text{ A}$; $V_{CC} = 3.6\text{ V}$; $V_{SW} = \text{GND or }V_{CC}$	-	-	100	-	150	μA
ΔI_{CC}	additional supply current	pin \overline{OE} ; $V_I = V_{CC} - 0.6\text{ V}$; $V_{SW} = \text{GND or }V_{CC}$; $V_{CC} = 3.6\text{ V}$	[2]	-	300	-	2000	μA
C_I	input capacitance	pin \overline{OE} ; $V_{CC} = 3.3\text{ V}$; $V_I = 0\text{ V to }3.3\text{ V}$	-	0.9	-	-	-	pF
$C_{S(OFF)}$	OFF-state capacitance	$V_{CC} = 3.3\text{ V}$; $V_I = 0\text{ V to }3.3\text{ V}$	-	2.5	-	-	-	pF
$C_{S(ON)}$	ON-state capacitance	$V_{CC} = 3.3\text{ V}$; $V_I = 0\text{ V to }3.3\text{ V}$	-	9.0	-	-	-	pF

[1] All typical values are measured at $T_{amb} = 25\text{ °C}$.

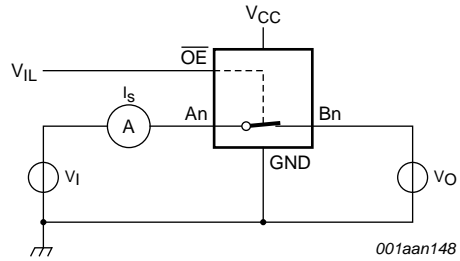
[2] One input at 3 V, other inputs at V_{CC} or GND.

9.1 Test circuits



$V_I = V_{CC}$ or GND and $V_O = GND$ or V_{CC} .

Fig 6. Test circuit for measuring OFF-state leakage current (one switch)



$V_I = V_{CC}$ or GND and $V_O =$ open circuit.

Fig 7. Test circuit for measuring ON-state leakage current (one switch)

9.2 Typical pass voltage graphs

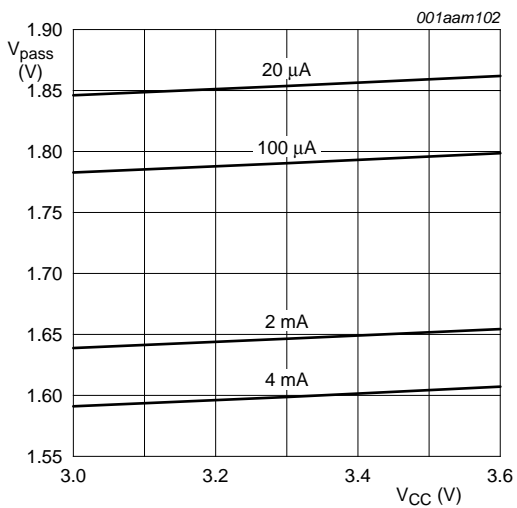


Fig 8. Pass voltage versus supply voltage; $T_{amb} = 125\text{ }^\circ\text{C}$ (typical)

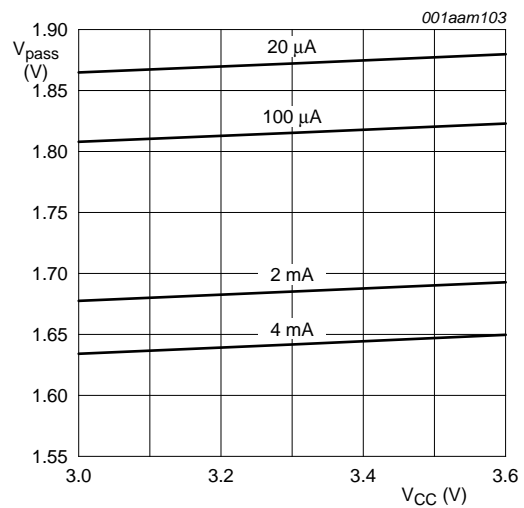


Fig 9. Pass voltage versus supply voltage; $T_{amb} = 85\text{ }^\circ\text{C}$ (typical)

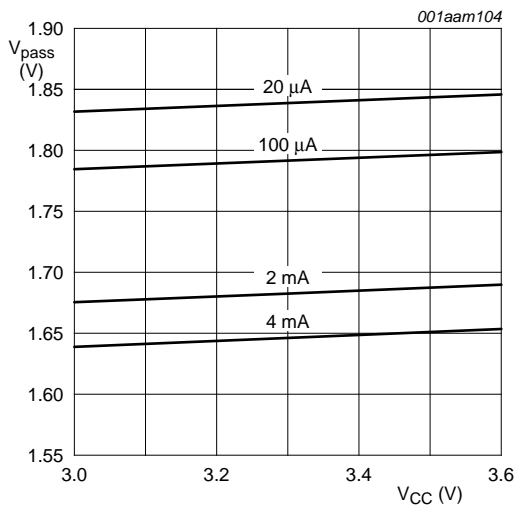


Fig 10. Pass voltage versus supply voltage; T_{amb} = 25 °C (typical)

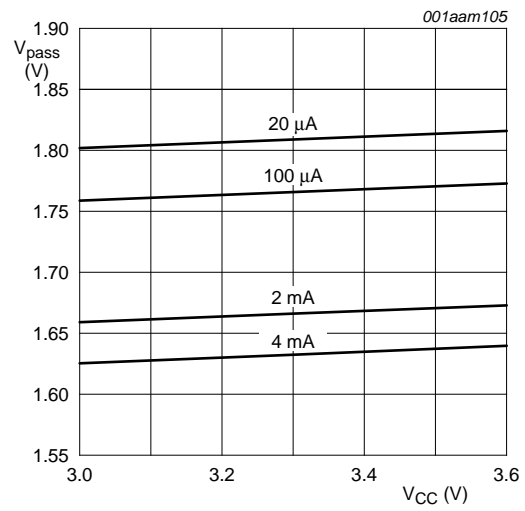


Fig 11. Pass voltage versus supply voltage; T_{amb} = 0 °C (typical)

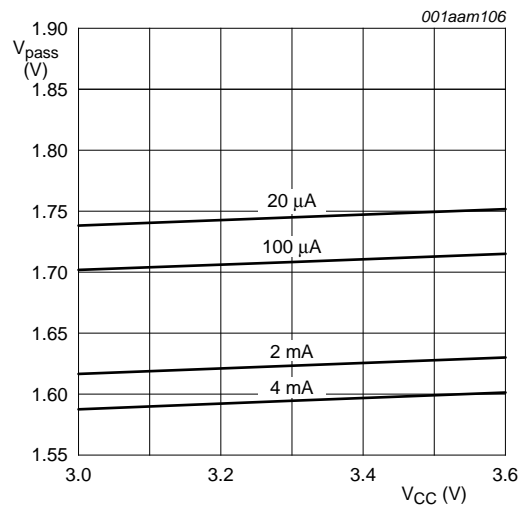


Fig 12. Pass voltage versus supply voltage; T_{amb} = -40 °C (typical)

9.3 ON resistance

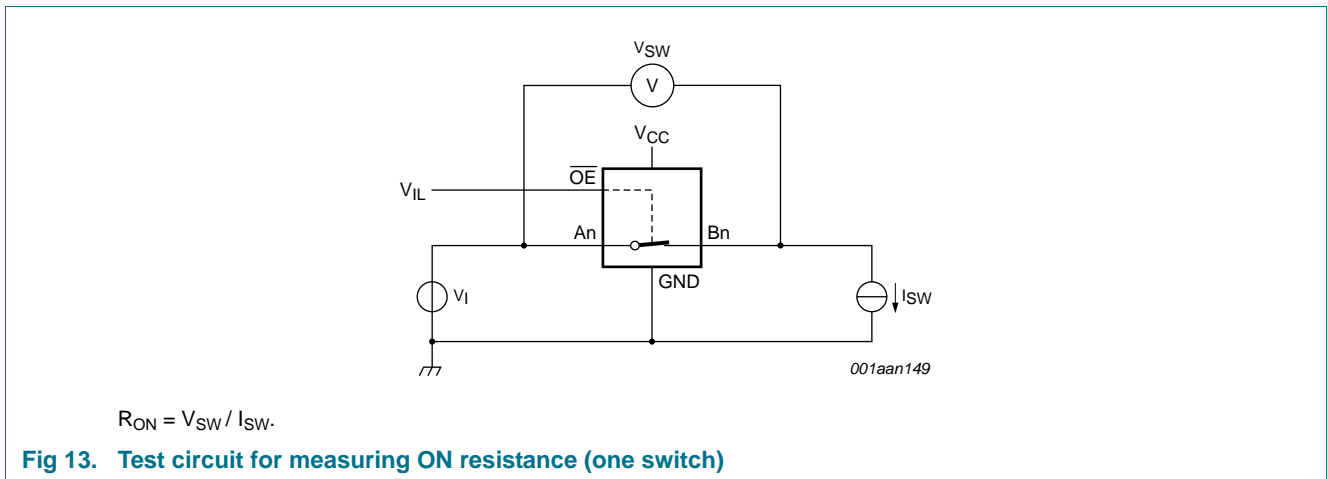
Table 7. Resistance R_{ON}

At recommended operating conditions; voltages are referenced to GND (ground = 0 V); for test circuit see Figure 13.

Symbol	Parameter	Conditions	T _{amb} = -40 °C to +85 °C			T _{amb} = -40 °C to +125 °C		Unit
			Min	Typ ^[1]	Max	Min	Max	
R _{ON}	ON resistance	V _{CC} = 3.0 V to 3.6 V ^[2]						
		I _{SW} = 64 mA; V _I = 0 V	-	3.7	7.0	-	10.0	Ω
		I _{SW} = 24 mA; V _I = 0 V	-	3.7	7.0	-	10.0	Ω
		I _{SW} = 15 mA; V _I = 1.2 V	-	4.7	10.0	-	12.0	Ω

- [1] Typical values are measured at T_{amb} = 25 °C and nominal V_{CC}.
- [2] Measured by the voltage drop between the An and Bn terminals at the indicated current through the switch. ON-state resistance is determined by the lower of the voltages of the two (An or Bn) terminals.

9.4 ON resistance test circuit



10. Dynamic characteristics

Table 8. Dynamic characteristics
GND = 0 V; for test circuit see Figure 16

Symbol	Parameter	Conditions	T _{amb} = -40 °C to +85 °C			T _{amb} = -40 °C to +125 °C		Unit
			Min	Typ ^[1]	Max	Min	Max	
t _{pd}	propagation delay	An to Bn or Bn to An; see Figure 14	[2][3]					
		V _{CC} = 3.0 V to 3.6 V	-	-	0.11	-	0.22	ns
t _{en}	enable time	$\overline{\text{OE}}$ to An or Bn; see Figure 15	[4]					
		V _{CC} = 3.0 V to 3.6 V	1.5	2.9	5.0	1.5	6.0	ns
t _{dis}	disable time	$\overline{\text{OE}}$ to An or Bn; see Figure 15	[5]					
		V _{CC} = 3.0 V to 3.6 V	0.8	3.3	7.0	0.8	8.0	ns

- [1] All typical values are measured at T_{amb} = 25 °C and at nominal V_{CC}.
- [2] The propagation delay is the calculated RC time constant of the on-state resistance of the switch and the load capacitance, when driven by an ideal voltage source (zero output impedance).
- [3] t_{pd} is the same as t_{PLH} and t_{PHL}.
- [4] t_{en} is the same as t_{PZH} and t_{PZL}.
- [5] t_{dis} is the same as t_{PHZ} and t_{PLZ}.

10.1 Waveforms

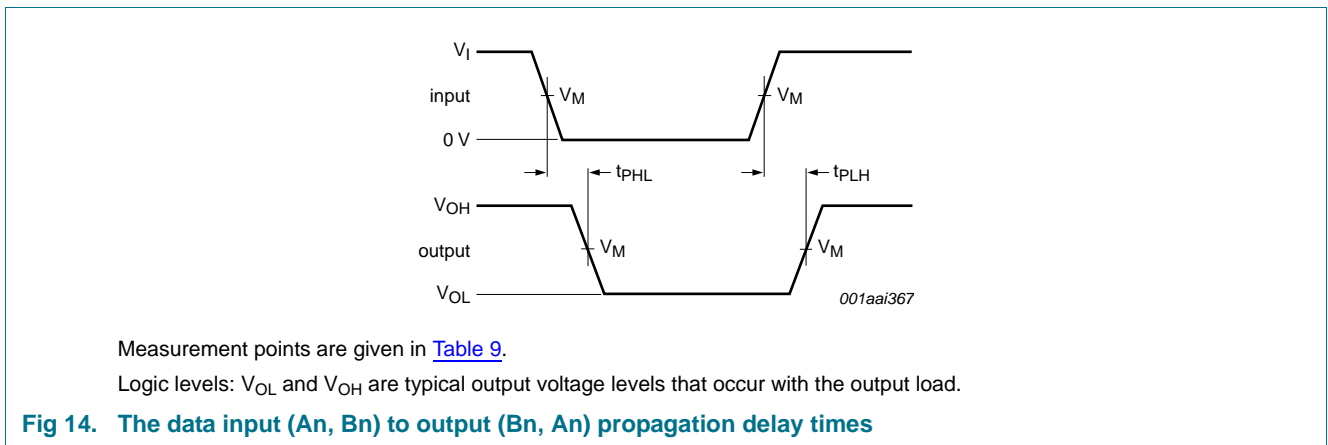
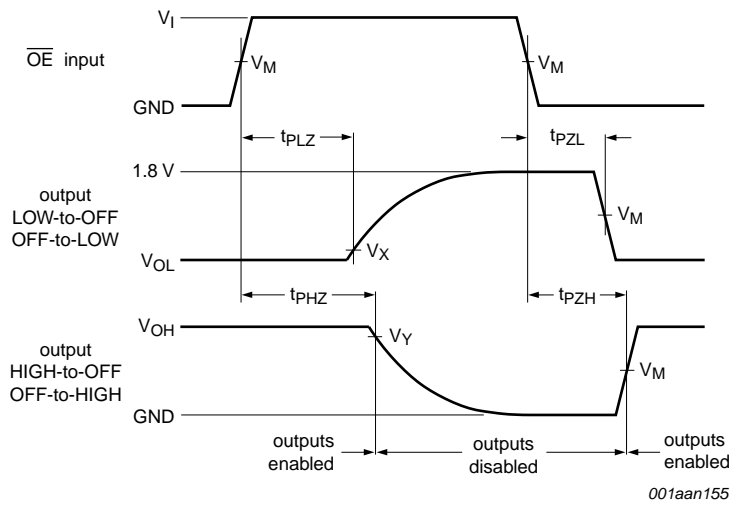


Table 9. Measurement points

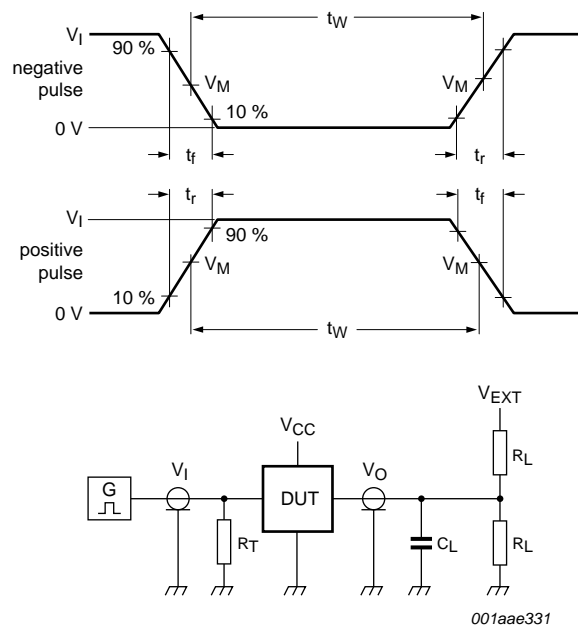
Supply voltage	Input			Output		
V _{CC}	V _M	V _I	t _r = t _f	V _M	V _X	V _Y
3.0 V to 3.6 V	0.5V _{CC}	V _{CC}	≤ 2.0 ns	0.9 V	V _{OL} + 0.15 V	V _{OH} - 0.15 V



Measurement points are given in [Table 9](#).

Logic levels: VOL and VOH are typical output voltage levels that occur with the output load.

Fig 15. Enable and disable times



Test data is given in [Table 10](#).

Definitions for test circuit:

R_L = Load resistance.

C_L = Load capacitance including jig and probe capacitance.

R_T = Termination resistance should be equal to the output impedance Z_o of the pulse generator.

V_{EXT} = External voltage for measuring switching times.

Fig 16. Test circuit for measuring switching times

Table 10. Test data

Supply voltage	Load		V_{EXT}		
V_{CC}	C_L	R_L	t_{PLH}, t_{PHL}	t_{PZH}, t_{PHZ}	t_{PZL}, t_{PLZ}
3.0 V to 3.6 V	30 pF	1 kΩ	open	GND	3.6 V

10.2 Additional dynamic characteristics

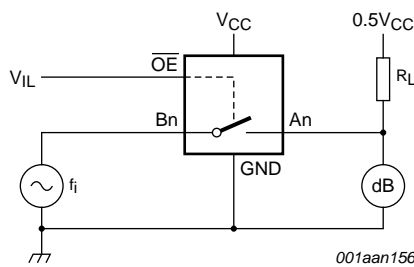
Table 11. Additional dynamic characteristics

$GND = 0 V$.

Symbol	Parameter	Conditions	$T_{amb} = 25\text{ }^{\circ}\text{C}$			Unit	
			Min	Typ	Max		
$f_{(-3dB)}$	-3 dB frequency response	$V_{CC} = 3.3\text{ V}$; $R_L = 50\text{ }\Omega$; see Figure 17	[1]	-	575	-	MHz

[1] f_i is biased at $0.5V_{CC}$.

10.3 Test circuit



Adjust f_i voltage to obtain 0 dBm level at output. Increase f_i frequency until dB meter reads -3 dB.

Fig 17. Test circuit for measuring the frequency response when channel is in ON-state

11. Package outline

SSOP24: plastic shrink small outline package; 24 leads; body width 3.9 mm; lead pitch 0.635 mm SOT556-1

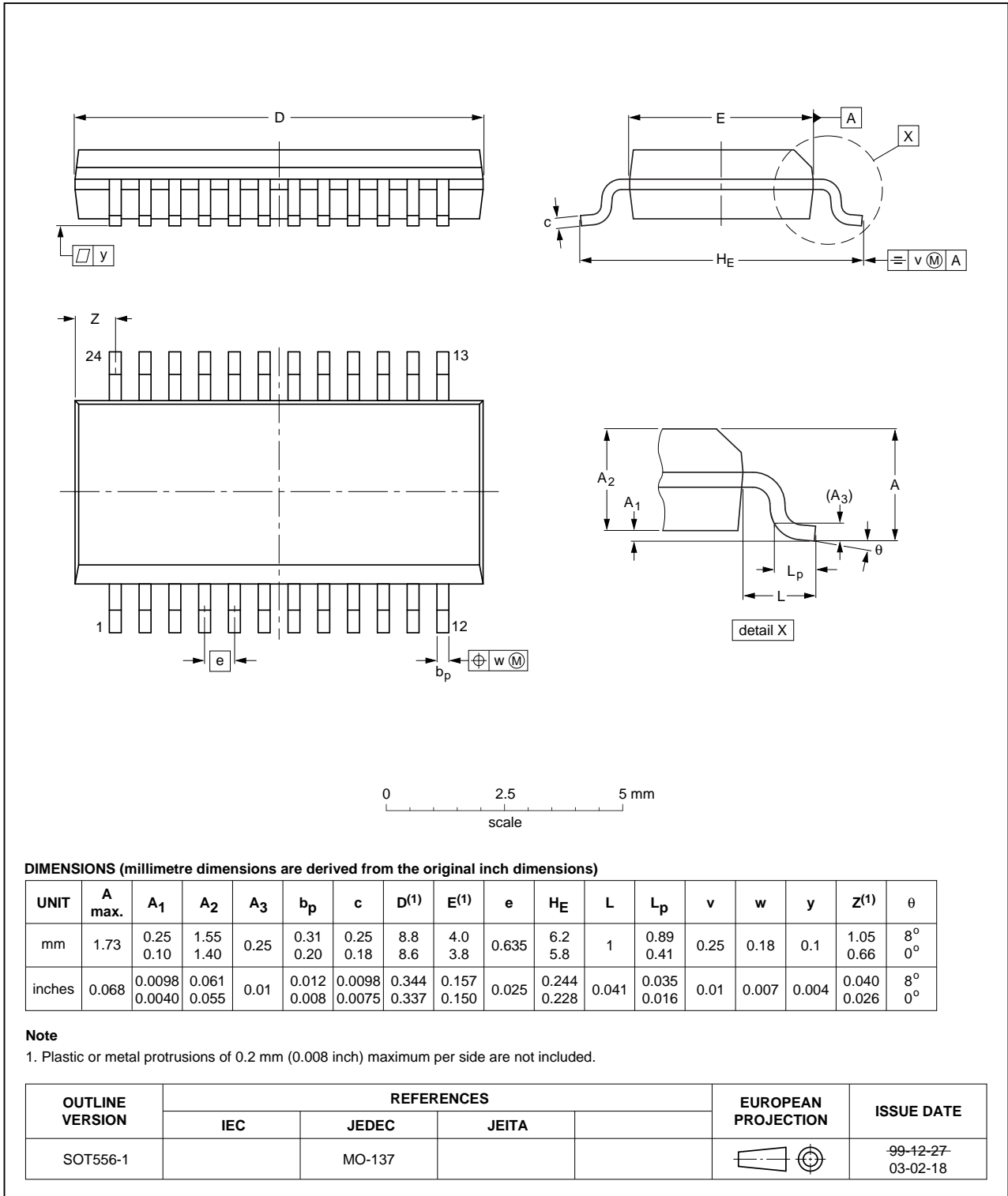


Fig 18. Package outline SOT556-1 (SSOP24)

TSSOP24: plastic thin shrink small outline package; 24 leads; body width 4.4 mm

SOT355-1

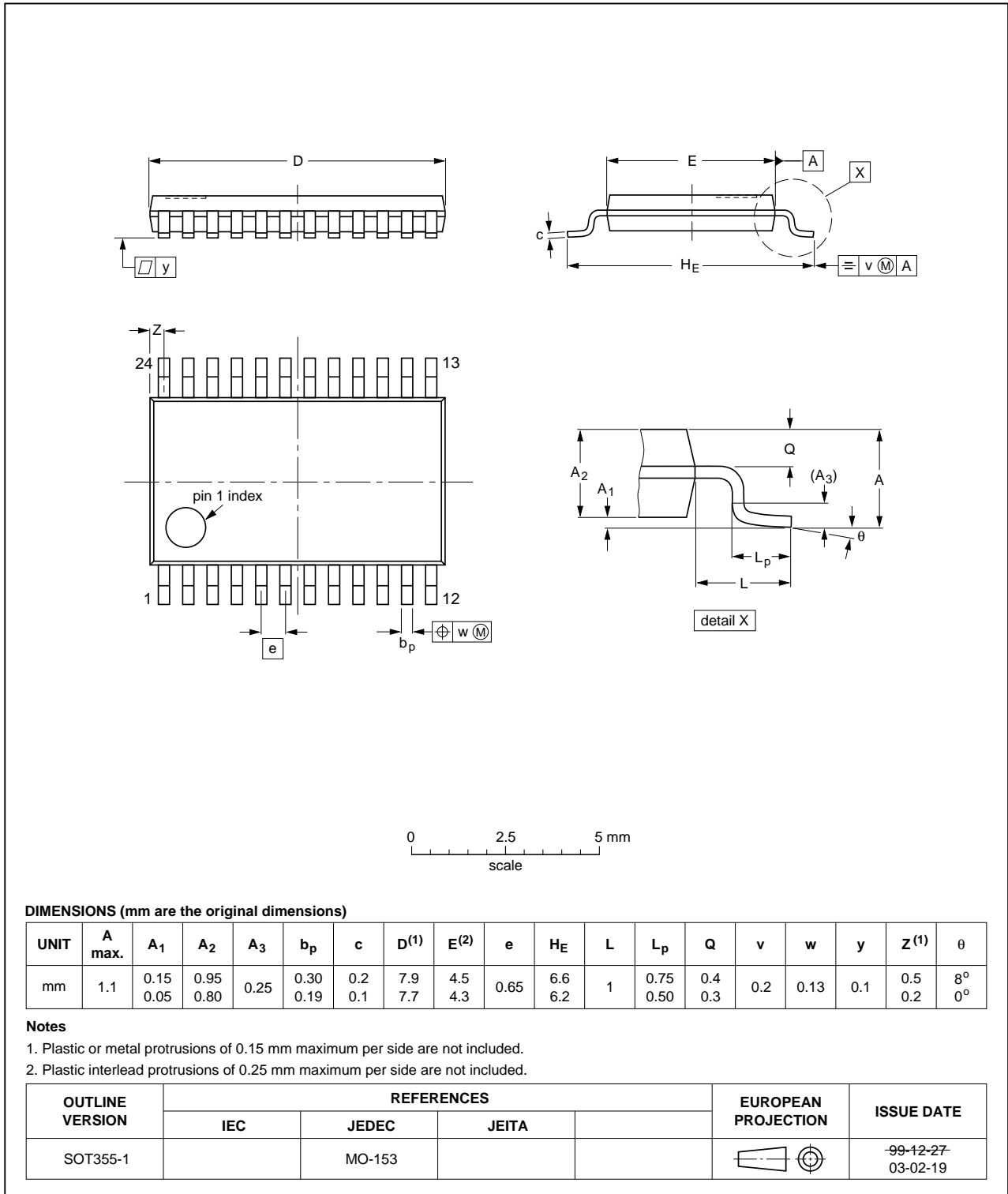


Fig 19. Package outline SOT355-1 (TSSOP24)

DHVQFN24: plastic dual in-line compatible thermal enhanced very thin quad flat package; no leads; 24 terminals; body 3.5 x 5.5 x 0.85 mm

SOT815-1

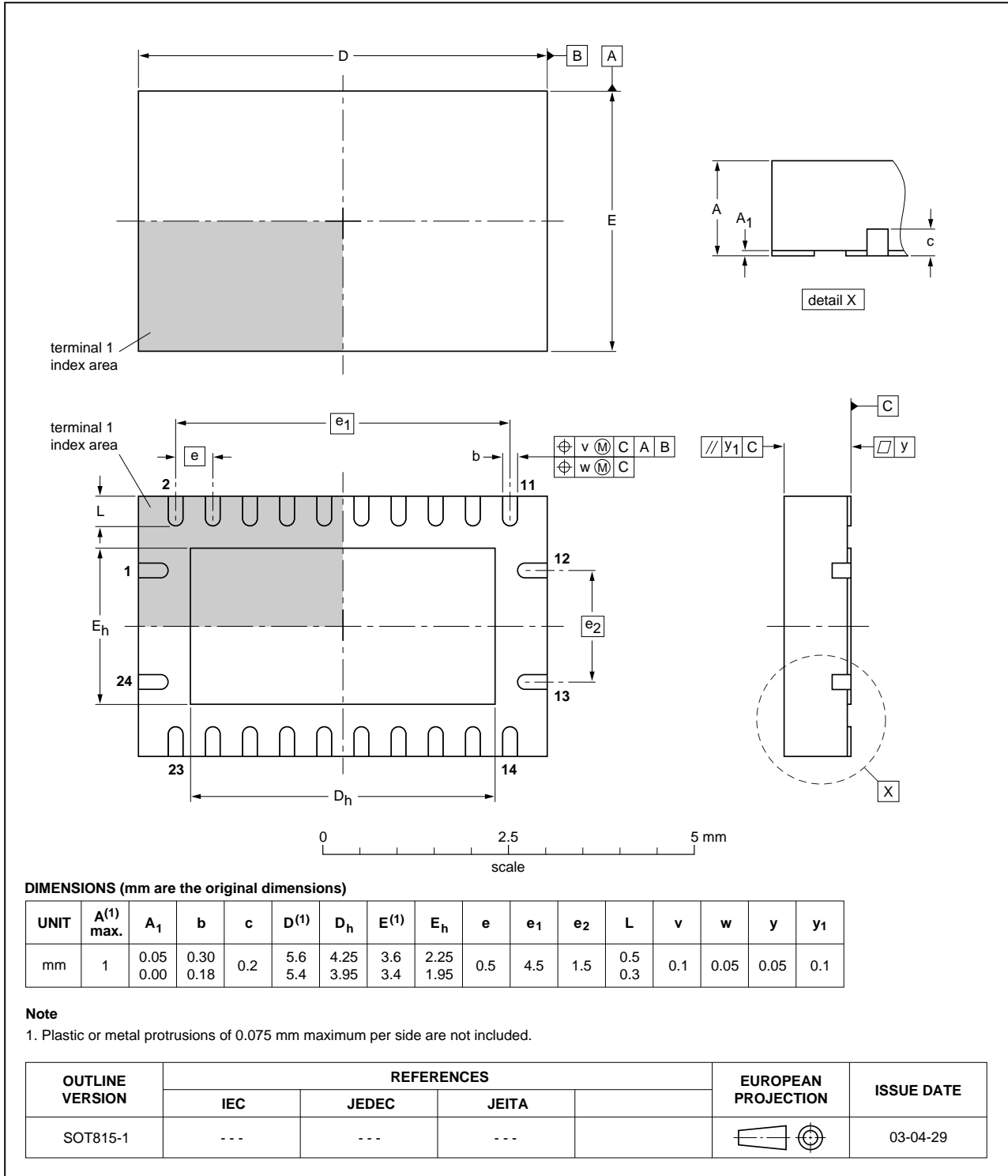


Fig 20. Package outline SOT815-1 (DHVQFN24)

12. Abbreviations

Table 12. Abbreviations

Acronym	Description
CDM	Charged Device Model
CMOS	Complementary Metal-Oxide Semiconductor
DUT	Device Under Test
ESD	ElectroStatic Discharge
HBM	Human Body Model

13. Revision history

Table 13. Revision history

Document ID	Release date	Data sheet status	Change notice	Supersedes
74CBTLVD3861 v.4	20111214	Product data sheet	-	74CBTLVD3861 v.3
Modifications:	<ul style="list-style-type: none">Legal pages updated.			
74CBTLVD3861 v.3	20111020	Product data sheet	-	74CBTLVD3861 v.2
74CBTLVD3861 v.2	20110117	Product data sheet	-	74CBTLVD3861 v.1
74CBTLVD3861 v.1	20101206	Product data sheet	-	-

14. Legal information

14.1 Data sheet status

Document status ^{[1][2]}	Product status ^[3]	Definition
Objective [short] data sheet	Development	This document contains data from the objective specification for product development.
Preliminary [short] data sheet	Qualification	This document contains data from the preliminary specification.
Product [short] data sheet	Production	This document contains the product specification.

[1] Please consult the most recently issued document before initiating or completing a design.

[2] The term 'short data sheet' is explained in section "Definitions".

[3] The product status of device(s) described in this document may have changed since this document was published and may differ in case of multiple devices. The latest product status information is available on the Internet at URL <http://www.nxp.com>.

14.2 Definitions

Draft — The document is a draft version only. The content is still under internal review and subject to formal approval, which may result in modifications or additions. NXP Semiconductors does not give any representations or warranties as to the accuracy or completeness of information included herein and shall have no liability for the consequences of use of such information.

Short data sheet — A short data sheet is an extract from a full data sheet with the same product type number(s) and title. A short data sheet is intended for quick reference only and should not be relied upon to contain detailed and full information. For detailed and full information see the relevant full data sheet, which is available on request via the local NXP Semiconductors sales office. In case of any inconsistency or conflict with the short data sheet, the full data sheet shall prevail.

Product specification — The information and data provided in a Product data sheet shall define the specification of the product as agreed between NXP Semiconductors and its customer, unless NXP Semiconductors and customer have explicitly agreed otherwise in writing. In no event however, shall an agreement be valid in which the NXP Semiconductors product is deemed to offer functions and qualities beyond those described in the Product data sheet.

14.3 Disclaimers

Limited warranty and liability — Information in this document is believed to be accurate and reliable. However, NXP Semiconductors does not give any representations or warranties, expressed or implied, as to the accuracy or completeness of such information and shall have no liability for the consequences of use of such information.

In no event shall NXP Semiconductors be liable for any indirect, incidental, punitive, special or consequential damages (including - without limitation - lost profits, lost savings, business interruption, costs related to the removal or replacement of any products or rework charges) whether or not such damages are based on tort (including negligence), warranty, breach of contract or any other legal theory.

Notwithstanding any damages that customer might incur for any reason whatsoever, NXP Semiconductors' aggregate and cumulative liability towards customer for the products described herein shall be limited in accordance with the *Terms and conditions of commercial sale* of NXP Semiconductors.

Right to make changes — NXP Semiconductors reserves the right to make changes to information published in this document, including without limitation specifications and product descriptions, at any time and without notice. This document supersedes and replaces all information supplied prior to the publication hereof.

Suitability for use — NXP Semiconductors products are not designed, authorized or warranted to be suitable for use in life support, life-critical or safety-critical systems or equipment, nor in applications where failure or

malfunction of an NXP Semiconductors product can reasonably be expected to result in personal injury, death or severe property or environmental damage. NXP Semiconductors accepts no liability for inclusion and/or use of NXP Semiconductors products in such equipment or applications and therefore such inclusion and/or use is at the customer's own risk.

Applications — Applications that are described herein for any of these products are for illustrative purposes only. NXP Semiconductors makes no representation or warranty that such applications will be suitable for the specified use without further testing or modification.

Customers are responsible for the design and operation of their applications and products using NXP Semiconductors products, and NXP Semiconductors accepts no liability for any assistance with applications or customer product design. It is customer's sole responsibility to determine whether the NXP Semiconductors product is suitable and fit for the customer's applications and products planned, as well as for the planned application and use of customer's third party customer(s). Customers should provide appropriate design and operating safeguards to minimize the risks associated with their applications and products.

NXP Semiconductors does not accept any liability related to any default, damage, costs or problem which is based on any weakness or default in the customer's applications or products, or the application or use by customer's third party customer(s). Customer is responsible for doing all necessary testing for the customer's applications and products using NXP Semiconductors products in order to avoid a default of the applications and the products or of the application or use by customer's third party customer(s). NXP does not accept any liability in this respect.

Limiting values — Stress above one or more limiting values (as defined in the Absolute Maximum Ratings System of IEC 60134) will cause permanent damage to the device. Limiting values are stress ratings only and (proper) operation of the device at these or any other conditions above those given in the Recommended operating conditions section (if present) or the Characteristics sections of this document is not warranted. Constant or repeated exposure to limiting values will permanently and irreversibly affect the quality and reliability of the device.

Terms and conditions of commercial sale — NXP Semiconductors products are sold subject to the general terms and conditions of commercial sale, as published at <http://www.nxp.com/profile/terms>, unless otherwise agreed in a valid written individual agreement. In case an individual agreement is concluded only the terms and conditions of the respective agreement shall apply. NXP Semiconductors hereby expressly objects to applying the customer's general terms and conditions with regard to the purchase of NXP Semiconductors products by customer.

No offer to sell or license — Nothing in this document may be interpreted or construed as an offer to sell products that is open for acceptance or the grant, conveyance or implication of any license under any copyrights, patents or other industrial or intellectual property rights.

Export control — This document as well as the item(s) described herein may be subject to export control regulations. Export might require a prior authorization from competent authorities.

Non-automotive qualified products — Unless this data sheet expressly states that this specific NXP Semiconductors product is automotive qualified, the product is not suitable for automotive use. It is neither qualified nor tested in accordance with automotive testing or application requirements. NXP Semiconductors accepts no liability for inclusion and/or use of non-automotive qualified products in automotive equipment or applications.

In the event that customer uses the product for design-in and use in automotive applications to automotive specifications and standards, customer (a) shall use the product without NXP Semiconductors' warranty of the product for such automotive applications, use and specifications, and (b) whenever customer uses the product for automotive applications beyond

NXP Semiconductors' specifications such use shall be solely at customer's own risk, and (c) customer fully indemnifies NXP Semiconductors for any liability, damages or failed product claims resulting from customer design and use of the product for automotive applications beyond NXP Semiconductors' standard warranty and NXP Semiconductors' product specifications.

14.4 Trademarks

Notice: All referenced brands, product names, service names and trademarks are the property of their respective owners.

15. Contact information

For more information, please visit: <http://www.nxp.com>

For sales office addresses, please send an email to: salesaddresses@nxp.com

16. Contents

1 General description 1

2 Features and benefits 1

3 Ordering information 2

4 Functional diagram 2

5 Pinning information 3

5.1 Pinning 3

5.2 Pin description 4

6 Functional description 4

7 Limiting values 4

8 Recommended operating conditions 5

9 Static characteristics 5

9.1 Test circuits 6

9.2 Typical pass voltage graphs 6

9.3 ON resistance 8

9.4 ON resistance test circuit 8

10 Dynamic characteristics 9

10.1 Waveforms 9

10.2 Additional dynamic characteristics 12

10.3 Test circuit 12

11 Package outline 13

12 Abbreviations 16

13 Revision history 16

14 Legal information 17

14.1 Data sheet status 17

14.2 Definitions 17

14.3 Disclaimers 17

14.4 Trademarks 18

15 Contact information 18

16 Contents 19

Please be aware that important notices concerning this document and the product(s) described herein, have been included in section 'Legal information'.

© NXP B.V. 2011.

All rights reserved.

For more information, please visit: <http://www.nxp.com>

For sales office addresses, please send an email to: salesaddresses@nxp.com

Date of release: 14 December 2011

Document identifier: 74CBTLVD3861