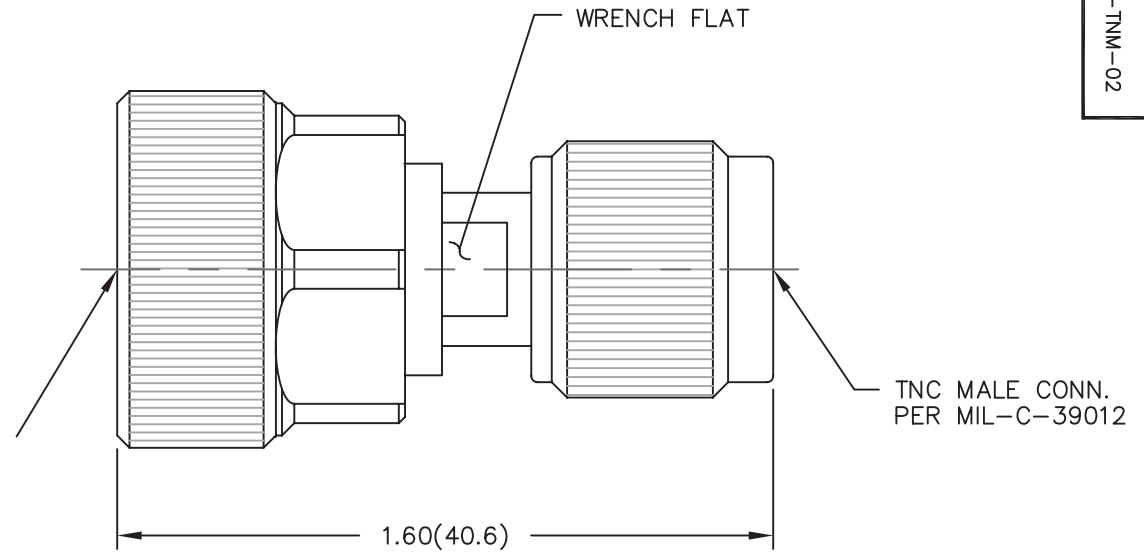


MODEL NUMBER
ADT-2546-7M-TNM-02

NOTES:

- 1.0 MATERIALS:
 - 1.1 HOUSING: STAINLESS STEEL PER ASTM-A582, TYPE 303.
 - 1.2 CENTER CONTACT: BERYLLIUM COPPER ROD, ASTM-D1457. ALLOY C172, PER ASTM-B194.
 - 1.3 DIELECTRIC: PTFE FLUOROCARBON PER
- 2.0 PLATING:
 - 2.1 HOUSING: PASSIVATED PER MIL-F-14072 AND QQ-P-35
 - 2.2 CENTER CONTACT: GOLD PER MIL-G-45204, TYPE II, CLASS 2.
 - 2.3 7MM NUT: ELECTROPOLISH (BRIGHT POLISH)
- 3.0 ELECTRICAL SPECIFICATION:
 - 3.1 FREQUENCY RANGE: DC to 18.0 GHz
 - 3.2 VSWR (MAXIMUM): 1.02+.006f(GHz)
- 4.0 DIMENSIONS IN PARENTHESIS ARE IN MILLIMETERS

7MM CONNECTOR




DWG NO. WAS: 02386-01-00

REV.	DESCRIPTION	DATE
-	RELEASED	7/31/78
A	ECR 6545	6/29/89
B	REDRAW ON CAD	3/31/92
B1	ADDED TITLEBLOCK	3/9/05

NOTICE: The information contained in this drawing is proprietary and must not be used without the permission of Cinch Connectivity Solutions.

UNLESS OTHERWISE NOTED DIMENSIONS ARE IN INCHES AND TOLERANCES ARE:

3 PLACE DECIMALS ±.005
 2 PLACE DECIMALS ±.02
 FRACTIONS ±1/64
 PARALLELITY: T.I.R. _____
 FLATNESS: T.I.R. _____
 CONCENTRICITY: T.I.R. _____
 ANGLES AND PERPENDICULARITY: ±1'

CAGE CODE 34078		MIDWEST MICROWAVE	
		TITLE ADAPTER OUTLINE DRAWING	
		DRAWING NUMBER ADT-2546-7M-TNM-02-01	REV. B1
DRAWN/DATE A.BEATTY 3/31/92	ENG./DATE A.OSGA	SCALE: 5=1	SHEET 1 of 1
CHECKED/DATE	APPROVED/DATE		