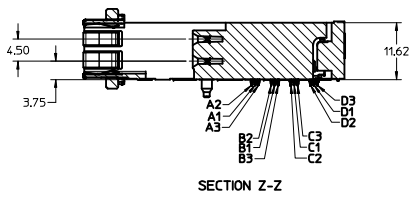
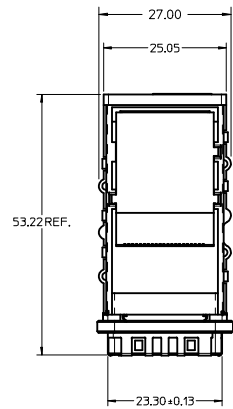
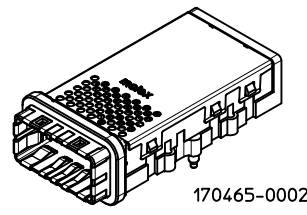
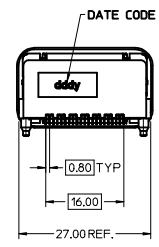
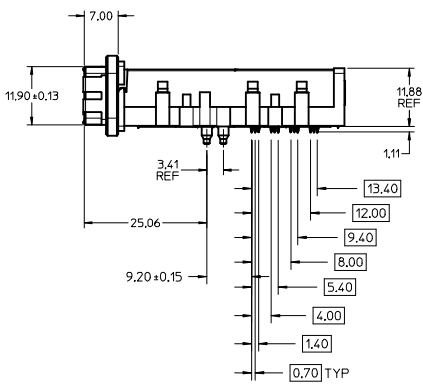
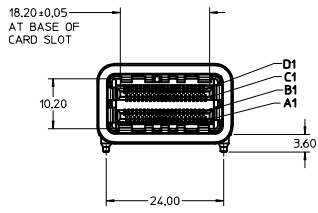


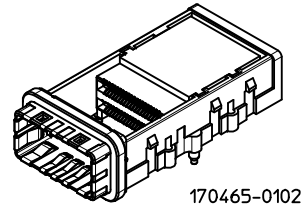
PART NUMBER	DESCRIPTION / OPTIONS	TOOLING STATUS
170465-0002	ASSEMBLY WITH COVER AND EMI GASKET	TOOLED
170465-0102	ASSEMBLY NO COVER AND EMI GASKET	TOOLED
170465-0003	ASSEMBLY WITH COVER AND EMI SPRINGS	TOOLED
170465-0103	ASSEMBLY NO COVER AND EMI SPRINGS	TOOLED



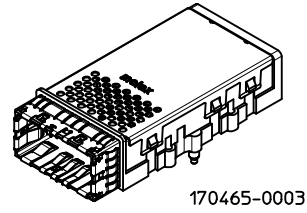
170465-0102 SHOWN



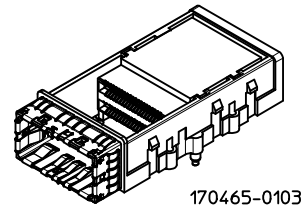
170465-0002



170465-0102



170465-0003



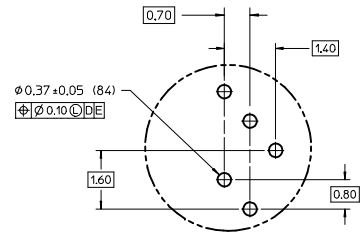
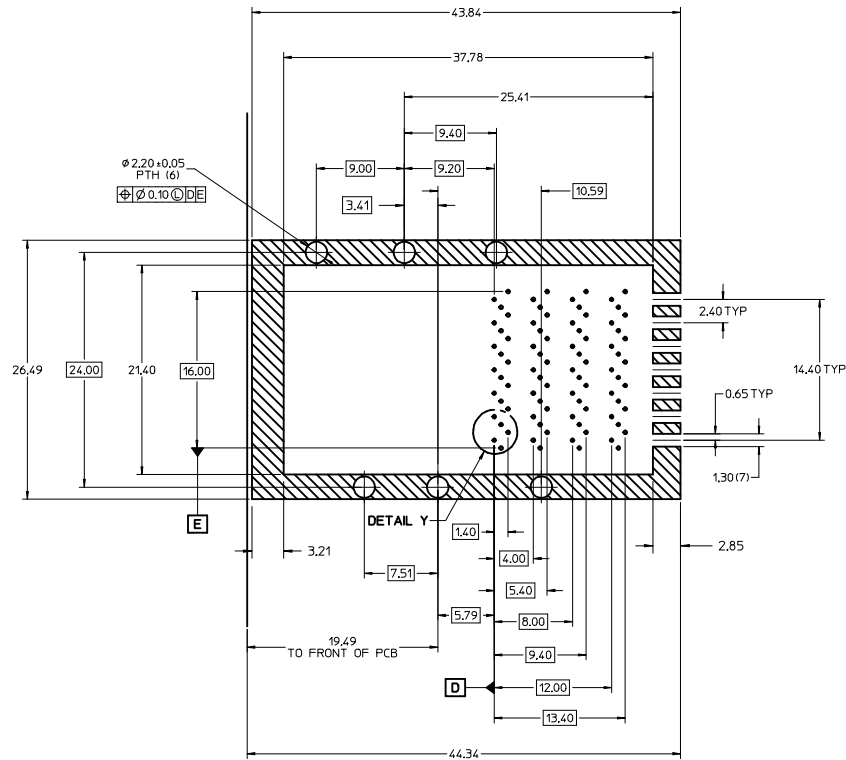
170465-0103

NOTES:

- MATERIALS:
CONNECTOR HOUSING: HIGH TEMPERATURE THERMOPLASTIC GLASS-FILLED, UL 94V-0
EMI HOUSING: NICKEL PLATED DIE CAST ALLOY
COVER: STAINLESS STEEL ALLOY
EMI GASKET: CONDUCTIVE POLYMER
EMI SPRINGS: COPPER ALLOY, TIN PLATED
TERMINALS: COPPER ALLOY
- TERMINAL PLATING:
CONTACT AREA: 0.76mm MIN, GOLD OVER 2.54mm MIN, NICKEL
TIN TAIL AREA: 0.76mm - 1.52mm TIN OVER 1.27mm MIN NICKEL
- THIS CONNECTOR IS DESIGNED TO MATE WITH MOLEX CABLE SERIES INDICATED IN THE MOLEX PRODUCT SPEC, PS-170465-0001.
- REFER TO ROUTING GUIDE AS-170465-0002 FOR PCB TRACE INFORMATION.
- PACKAGING SPECIFICATION: TRAY PACK PER PK-170465-0001.
- REFER TO AS-170465-0001 FOR THE APPLICATION SPECIFICATION.
- MOUNTING HARDWARE REQUIRED: M2x0.4 CAP SCREWS (4)
MOUNTING SCREW LENGTH: BOARD THICKNESS + 4mm MAX

ADD DIM SHT1 0L15 IEC NO: UCP2015-2915 DRAWN BY: CHYOMBRANKIS 2015/01/20 CHECKED BY: APPR:MBANKIS 2015/01/21 REV: H1	QUALITY SYMBOLS ∇=0 ∇=0 ∇=0	GENERAL TOLERANCES (UNLESS SPECIFIED) mm INCH		DIMENSION STYLE MM ONLY	SCALE 2:1	DESIGN UNITS METRIC	THIRD ANGLE PROJECTION	
		4 PLACES ± --- ± --- 3 PLACES ± --- ± --- 2 PLACES ± 0.25 ± --- 1 PLACE ± --- ± --- 0 PLACE ± --- ± ---	ANGULAR ±1/2° DRAFT WHERE APPLICABLE MUST REMAIN WITHIN DIMENSIONS	DRAWN BY: SBOGIEL CHECKED BY: GPRATT APPROVED BY:	DATE: 2014/03/27 DATE: 2014/07/02 DATE:	TITLE I-PASS PLUS CXP EF 84 CIRCUIT		MATERIAL NO. SEE CHART

THIS DRAWING CONTAINS INFORMATION THAT IS PROPRIETARY TO MOLEX INCORPORATED AND SHOULD NOT BE USED WITHOUT WRITTEN PERMISSION



DETAIL Y
SCALE 15:1

RECOMMENDED PCB LAYOUT
COMPONENT SIDE SHOWN

PCB THICKNESS: 1.57mm MIN.

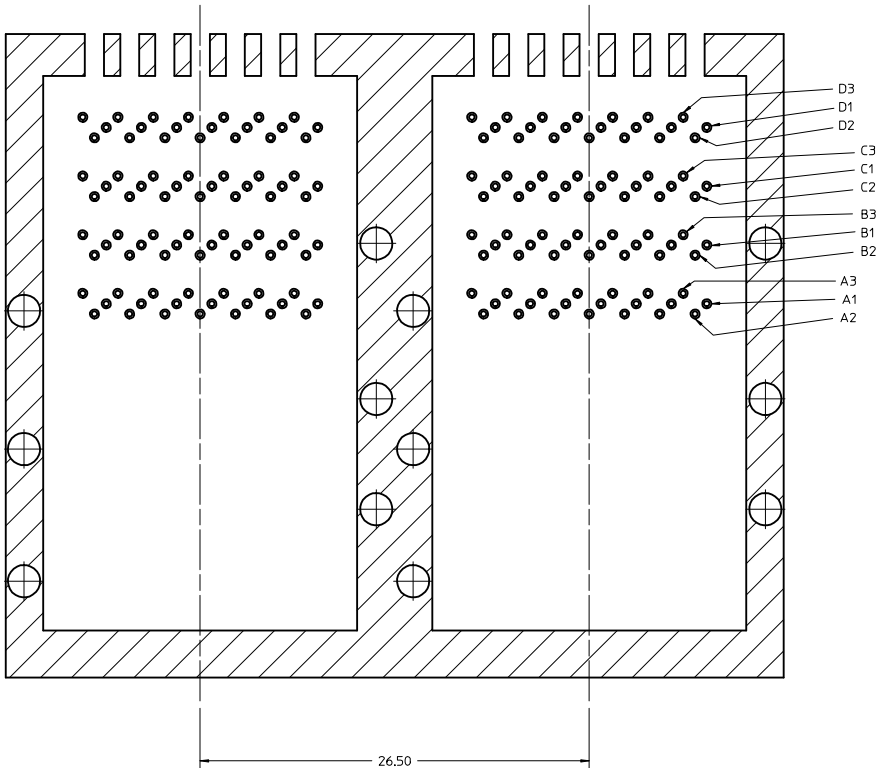
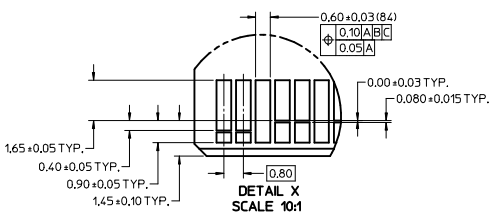
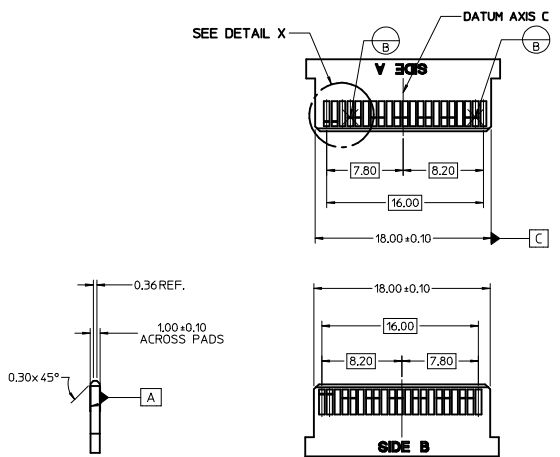
NOTES:

- CROSS-HATCHED AREA TO BE CONDUCTIVE ON THE PCB.
- CROSS-HATCHED AREA MUST BE INCORPORATED IN THE FLAT ROCK PRESS-FIT TOOLING.
- REFER TO THE PLATING DETAIL OF THE COMPLIANT PIN HOLES IN THE APPLICATION SPEC AS-170465-0002 FOR THE DRILL SIZE AND ANNULAR RING FOR THE 0.37 ϕ FINISHED HOLE.
- MINIMUM RECOMMENDED SPACING: 26.50mm

SEE SHEET 1 SEC NO: UCP2015-2915 DRAWN BY: CHYKORRATT 2015/01/20 CHECKED BY: CHYKORRATT 2015/01/20 APPROVED BY: APPR:RBRANKIS 2015/01/21 REV: H1	QUALITY SYMBOLS	GENERAL TOLERANCES (UNLESS SPECIFIED)	DIMENSION STYLE	SCALE	DESIGN UNITS	THIRD ANGLE PROJECTION
	$\nabla=0$ $\nabla=0$ $\nabla=0$	mm INCH 4 PLACES +--- +--- 3 PLACES +--- +--- 2 PLACES +0.25 +--- 1 PLACE +--- +--- 0 PLACE +--- +---	MM ONLY	4:1	METRIC	DRAWN BY: SBGJIEL DATE: 2014/03/27 CHECKED BY: GPRATT DATE: 2014/07/02 APPROVED BY: DATE:
	ANGULAR $\pm 1/2^\circ$	DRAFT WHERE APPLICABLE MUST REMAIN WITHIN DIMENSIONS	SIZE D	MATERIAL NO. SEE CHART	DOCUMENT NO. SD-170465-0001	SHEET NO. 2 OF 5

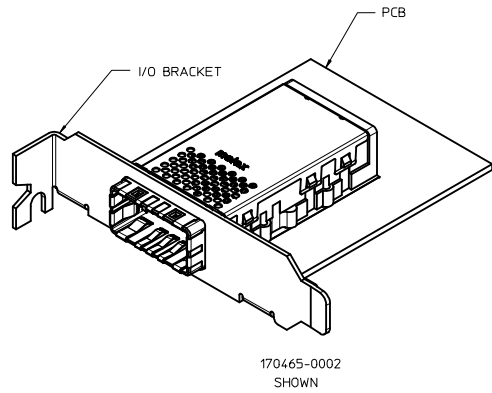
molex

THIS DRAWING CONTAINS INFORMATION THAT IS PROPRIETARY TO MOLEX INCORPORATED AND SHOULD NOT BE USED WITHOUT WRITTEN PERMISSION

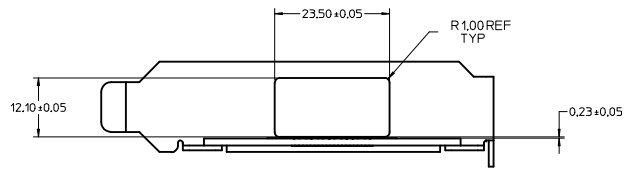
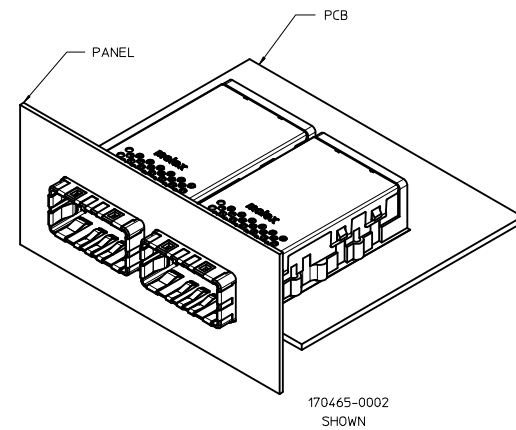


- NOTES:
- 0.03 MINIMUM KEEP OUT FOR SOLDER MASK AROUND ALL PADS
 - DATUM B TARGETS ARE DEFINED BY THE RESPECTIVE PAD CENTER LINES AND THE LEADING EDGE OF THE TARGET PADS

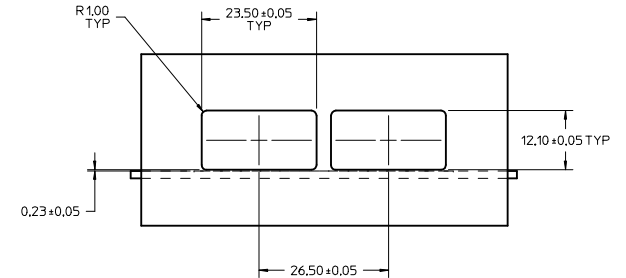
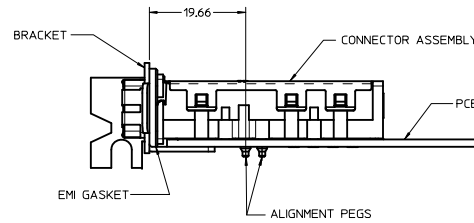
SEE SHEET 1 SEC NO: UCP2015-2915 DRAWING: GPRATT 2015/01/20 CHECKED: CHYKHANKIS 2015/01/20 APPROVED: CHYKHANKIS 2015/01/21	QUALITY SYMBOLS	GENERAL TOLERANCES (UNLESS SPECIFIED)	DIMENSION STYLE	SCALE	DESIGN UNITS	THIRD ANGLE PROJECTION
	∇=0 ∇=0 ∇=0	4 PLACES ± --- + --- 3 PLACES ± --- + --- 2 PLACES ± 0.25 + --- 1 PLACE ± --- + --- 0 PLACE ± --- + ---	mm INCH ± --- ± --- ± --- ± --- ± --- ± --- ± --- ± ---	MM ONLY DRAWN BY: SBGIEL DATE: 2014/03/27 CHECKED BY: GPRATT DATE: 2014/07/02 APPROVED BY: DATE:	6:1	METRIC
	ANGULAR ± 1/2° DRAFT WHERE APPLICABLE MUST REMAIN WITHIN DIMENSIONS					SHEET NO. 3 OF 5 THIS DRAWING CONTAINS INFORMATION THAT IS PROPRIETARY TO MOLEX INCORPORATED AND SHOULD NOT BE USED WITHOUT WRITTEN PERMISSION



FOR ASSEMBLIES
170465-0002 & 170465-0102

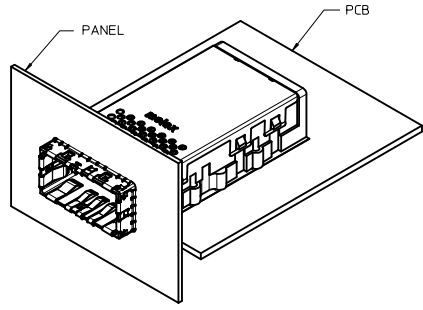


RECOMMENDED I/O BRACKET CUT-OUT
(NOT SUPPLIED)

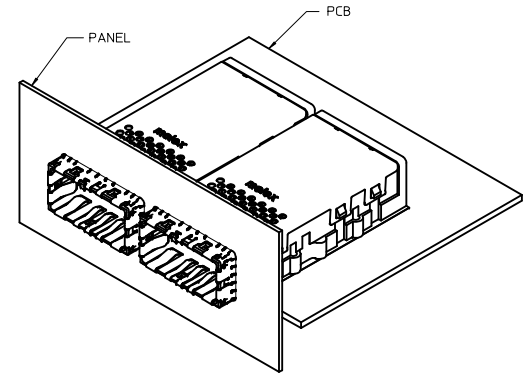


RECOMMENDED PANEL CUT-OUT
(NOT SUPPLIED)

SEE SHEET 1 ELEC NO: UCP2015-2915 DRAWN BY: GPRATT 2015/01/20 CHECKED BY: CHYKOBANKA S 2015/01/20 APPROVED BY: APPR:MBANKA S 2015/01/21	QUALITY SYMBOLS ▽=0 ▽=0 ▽=0	GENERAL TOLERANCES (UNLESS SPECIFIED) <table border="1"> <thead> <tr> <th></th> <th>mm</th> <th>INCH</th> </tr> </thead> <tbody> <tr> <td>4 PLACES</td> <td>±---</td> <td>±---</td> </tr> <tr> <td>3 PLACES</td> <td>±---</td> <td>±---</td> </tr> <tr> <td>2 PLACES</td> <td>±0.25</td> <td>±---</td> </tr> <tr> <td>1 PLACE</td> <td>±---</td> <td>±---</td> </tr> <tr> <td>0 PLACE</td> <td>±---</td> <td>±---</td> </tr> </tbody> </table>		mm	INCH	4 PLACES	±---	±---	3 PLACES	±---	±---	2 PLACES	±0.25	±---	1 PLACE	±---	±---	0 PLACE	±---	±---	DIMENSION STYLE MM ONLY	SCALE 2:1	DESIGN UNITS METRIC	THIRD ANGLE PROJECTION
		mm	INCH																					
4 PLACES	±---	±---																						
3 PLACES	±---	±---																						
2 PLACES	±0.25	±---																						
1 PLACE	±---	±---																						
0 PLACE	±---	±---																						
MATERIAL NO. SEE CHART	DRAWN BY SBGIEL	DATE 2014/03/27	CHECKED BY GPRATT	DATE 2014/07/02	TITLE I-PASS PLUS CXP EF 84 CIRCUIT	DOCUMENT NO. SD-170465-0001																		
DRAFT WHERE APPLICABLE MUST REMAIN WITHIN DIMENSIONS	ANGLULAR ±1/2°	SIZE D	THIS DRAWING CONTAINS INFORMATION THAT IS PROPRIETARY TO MOLEX INCORPORATED AND SHOULD NOT BE USED WITHOUT WRITTEN PERMISSION																					

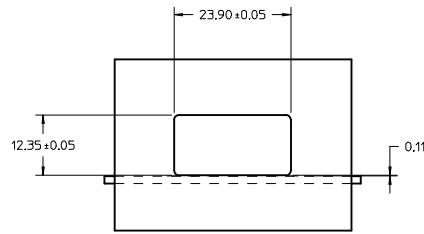


170465-0003
SHOWN

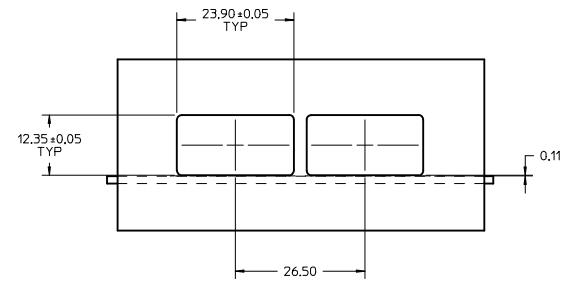
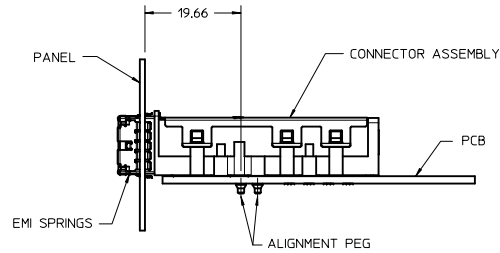


170465-0003
SHOWN

FOR ASSEMBLIES
170465-0003 & 170465-0103



RECOMMENDED SINGLE PANEL CUT-OUT
(NOT SUPPLIED)



RECOMMENDED DUAL PANEL CUT-OUT
(NOT SUPPLIED)

SEE SHEET 1 IEC NO: UCP2015-2915 DRAWN BY: DRWNGPRATT 2015/01/20 CHECKED BY: CHYKHANKIS 2015/01/20 APPROVED BY: APPRMBANKIS 2015/01/21 REV DESCRIPTION	QUALITY SYMBOLS	GENERAL TOLERANCES (UNLESS SPECIFIED)	DIMENSION STYLE	SCALE	DESIGN UNITS	THIRD ANGLE PROJECTION
	▽=0	mm INCH	MM ONLY	2:1	METRIC	☉
	▽=0	4 PLACES ±--- ±---	DRAWN BY: SBGIEL DATE: 2014/03/27	TITLE	I-PASS PLUS CXP EF 84 CIRCUIT	
	▽=0	3 PLACES ±--- ±---	CHECKED BY: GPRATT DATE: 2014/07/02	APPROVED BY: DATE:		molex MATERIAL NO. DOCUMENT NO. SD-170465-0001 SHEET NO. 5 OF 5
▽=0	2 PLACES ±0.25 ±---	APPROVED BY: DATE:				
		1 PLACE ±--- ±---				
		0 PLACE ±--- ±---				
		ANGULAR ±1/2°	SEE SHEET 1			
		DRAFT WHERE APPLICABLE MUST REMAIN WITHIN DIMENSIONS	SIZE D		THIS DRAWING CONTAINS INFORMATION THAT IS PROPRIETARY TO MOLEX INCORPORATED AND SHOULD NOT BE USED WITHOUT WRITTEN PERMISSION	