

TECHNICAL SPECIFICATION

HOUSING MATERIAL : THERMOPLASTIC POLYESTER UL 94 V-0, GREY
 HOUSING CAN WITHSTAND EXPOSURE TO LEAD FREE WAVE SOLDERING TEMPERATURE OF 260-265°C FOR STRAIGHT CONNECTORS AS IT IS IN CLASSICAL LEAD WAVE SOLDERING AT 235-250°C

CONTACT MATERIAL : COPPER ALLOY

CONTACT PLATING : GOLD OVER NICKEL

ACTIVE ZONE : GOLD OVER NICKEL

TERMINATION ZONE : TIN (PURE MATTE) OVER Ni

LEAD FREE VERSION : TIN (PURE MATTE) OVER Ni

ELECTRICAL DATA

CURRENT RATING AT 20°C : 1.5 A

CURRENT (I MAX) : 2 A

TEMPERATURE RANGE : -55°C/ +125°C

CONTACT RESISTANCE : ≤ 20mΩ

INSULATION RESISTANCE : ≥ 10⁶ MΩ

TEST VOLTAGE (rms) : 1000V

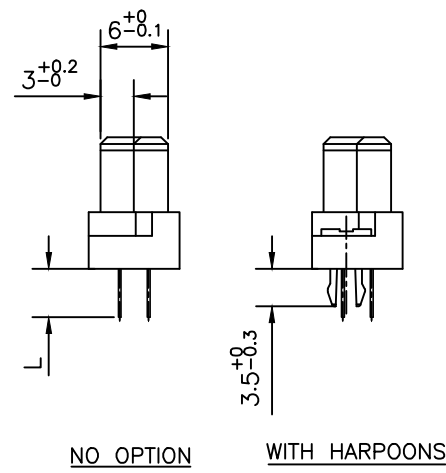
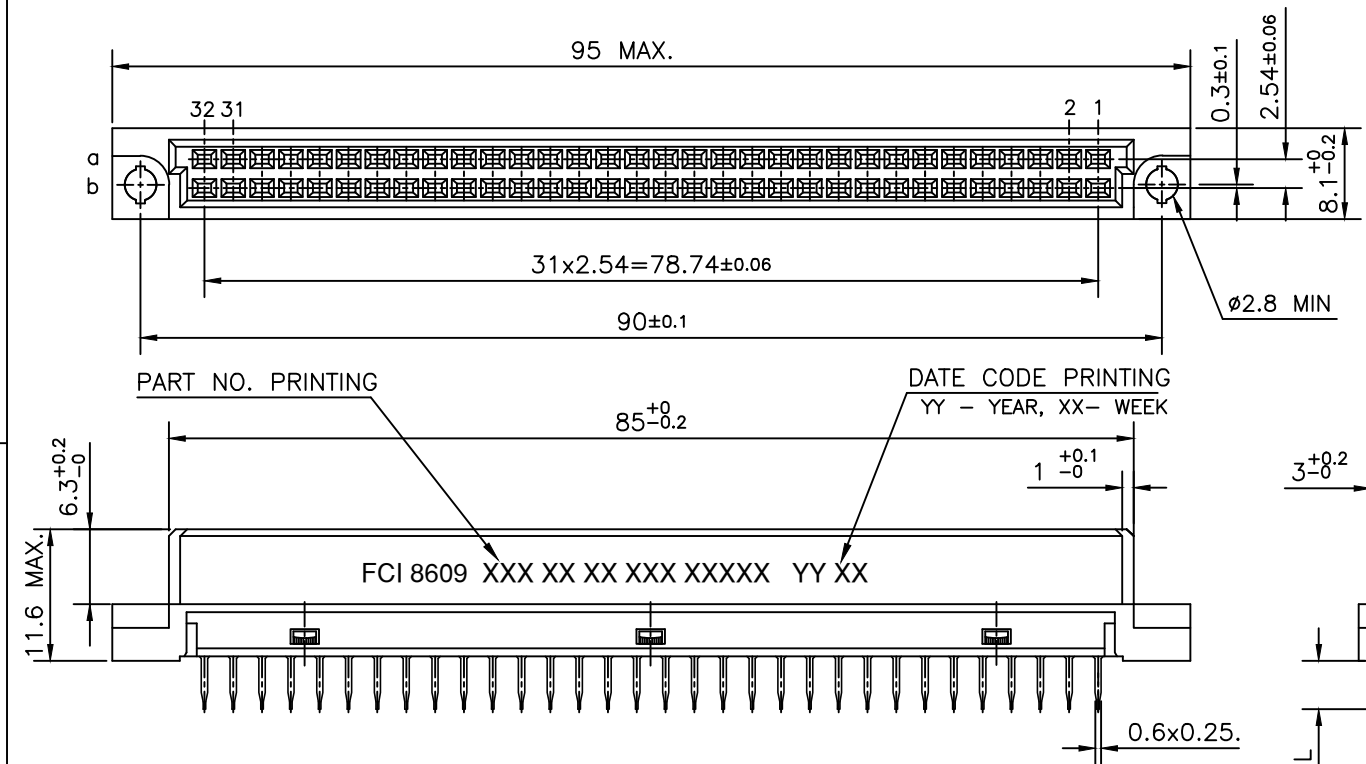
MECHANICAL DATA

INSERTION FORCE PER CONTACT : ≤ 0.94N

EXTRACTION FORCE PER CONTACT : ≥ 0.15N

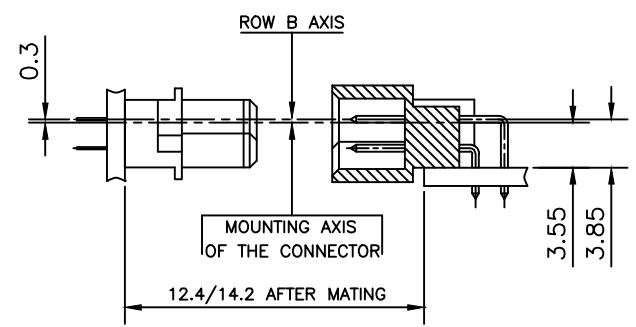
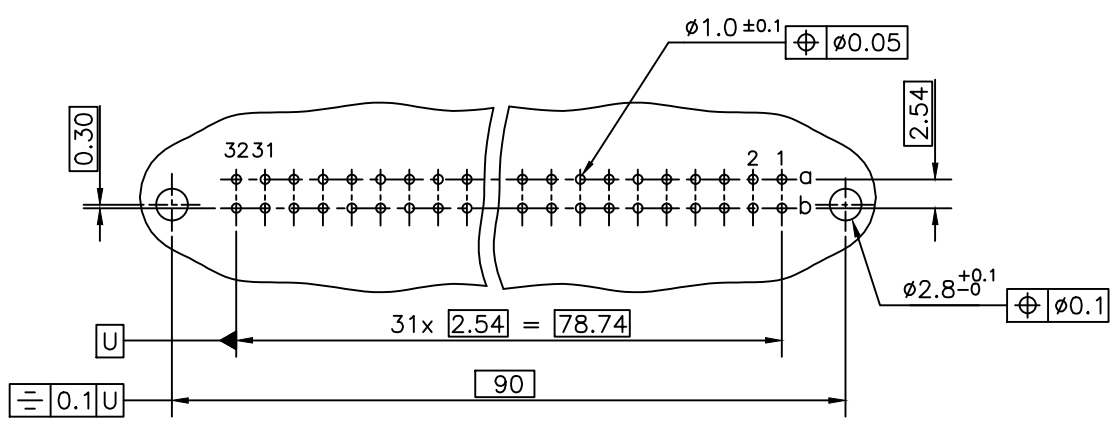
REFERENCE SPECIFICATIONS : DIN 41612 / IEC 603-2

SERIES	8609	2	64	6	1	24	7	5	5	V1LF
ROWS FITTED WITH CONTACTS										
Rows a b -		2	64							
Rows a -		1	32							
NUMBER OF CONTACTS										
TYPE OF INSULATOR										
2 ROW FEMALE INSULATOR				6						
METHOD OF MOUNTING										
STANDARD MOUNTING - STYLE B					1					
TERMINATION										
LONG STRAIGHT SPILL (L - SEE TABLE)									14	
SHORT STRAIGHT SPILL (L - SEE TABLE)									24	
OPTIONS										
NO OPTION										7
WITH HARPOONS										H
PERFORMANCE CLASS										
4 - DIN 41612 CLASS 3										4
5 - DIN 41612 CLASS 2										5
6 - DIN 41612 CLASS 1										6
8 - AS PER MIL C 55302/JSS 50808										8
PITCH PER ROW										
2.54										5
V1LF										LEAD FREE VERSION



24	2.5
14	4.0
TERM. STYLE	L +0.7 / -0

P.C.B DRILLING DETAILS



NOTES:-

1. THE "LF" PRODUCTS MEET EUROPEAN UNION DIRECTIVES AND OTHER COUNTRY REGULATIONS AS DESCRIBED IN GS-22-008
2. THE HOUSING WILL WITHSTAND EXPOSURE TO 260°C PEAK TEMPERATURE FOR 3.5 SECONDS IN A WAVE SOLDER APPLICATION WITH A 1.6 MM MINIMUM THICK CIRCUIT BOARD
3. LEAD FREE OR RoHS DIRECTIVE LABELING TO BE PROVIDED AS PER GS-14-920 FOR LEAD FREE VERSION.

mat'l. code		surface		tolerance		projection		product family	
-		ISO 1302		ISO 406 ISO 1101		mm		8609	
ltr		ecn no		dr		date		title	
A		-		MJA		2012-10-10		DIN STANDARD RECEPTACLE	
-		-		-		-		STRAIGHT SPILL DIN 41612 STYLE-B	
-		-		-		-		dwg no	
-		-		-		-		sheet 1 of 1	
-		-		-		-		size	
-		-		-		-		A3	
-		-		-		-		type	
-		-		-		-		Product Customer Drawing	
sheet index		revision		A					
1		1							



Copyright FCI