

## UKK 3-MSTBVH-5,08

Order No.: 2770846

The illustration shows a combination as a 55-pos. version

<http://eshop.phoenixcontact.de/phoenix/treeViewClick.do?UID=2770846>

Feed-through modular terminal block, Nominal current: 12 A, Nominal voltage: 250 V, Cross section: 0.2 mm<sup>2</sup> - 4 mm<sup>2</sup>, AWG: 24 - 12, Mounting type: NS 35/7,5, NS 35/15, NS 32, Pitch: 5.08 mm, Width: 5.08, Color: gray

### Commercial data

EAN	4017918068073
Pack	50 pcs.
Customs tariff	85369010
Weight/Piece	0.009514 KG
Catalog page information	Page 325 (CL-2005)

### Product notes

WEEE/RoHS-compliant since:  
01/01/2003



<http://www.download.phoenixcontact.com>  
Please note that the data given here has been taken from the online catalog. For comprehensive information and data, please refer to the user documentation. The General Terms and Conditions of Use apply to Internet downloads.

### Technical data

#### General

Number of levels	2
Number of connections	4
Color	gray

Insulating material	PA
Inflammability class acc. to UL 94	V2

**Technical data**

Maximum load current	12 A (with 4 mm <sup>2</sup> conductor cross section)
Rated surge voltage	4 kV
Pollution degree	3
Surge voltage category	III
Insulating material group	I
Nominal current I <sub>N</sub>	12 A
Nominal voltage U <sub>N</sub>	250 V

**Connection data**

Connection labeling	1st and 2nd level connection left
Conductor cross section solid min.	0.2 mm <sup>2</sup>
Conductor cross section solid max.	4 mm <sup>2</sup>
Conductor cross section stranded min.	0.2 mm <sup>2</sup>
Conductor cross section stranded max.	2.5 mm <sup>2</sup>
Conductor cross section AWG/kcmil min.	24
Conductor cross section AWG/kcmil max	12
Conductor cross section stranded, with ferrule without plastic sleeve min.	0.25 mm <sup>2</sup>
Conductor cross section stranded, with ferrule without plastic sleeve max.	2.5 mm <sup>2</sup>
Conductor cross section stranded, with ferrule with plastic sleeve min.	0.25 mm <sup>2</sup>
Conductor cross section stranded, with ferrule with plastic sleeve max.	1.5 mm <sup>2</sup>
2 conductors with same cross section, solid min.	0.2 mm <sup>2</sup>
2 conductors with same cross section, solid max.	1.5 mm <sup>2</sup>
2 conductors with same cross section, stranded min.	0.2 mm <sup>2</sup>
2 conductors with same cross section, stranded max.	1 mm <sup>2</sup>
2 conductors with same cross section, stranded, ferrules without plastic sleeve, min.	0.25 mm <sup>2</sup>
2 conductors with same cross section, stranded, ferrules without plastic sleeve, max.	0.5 mm <sup>2</sup>
2 conductors with same cross section, stranded, TWIN ferrules with plastic sleeve, min.	0.5 mm <sup>2</sup>

2 conductors with same cross section, stranded, TWIN ferrules with plastic sleeve, max.	1 mm <sup>2</sup>
Type of connection	Special and hybrid connection
Stripping length	8 mm
Internal cylindrical gage	A3
Screw thread	M3
Tightening torque, min	0.5 Nm
Tightening torque max	0.6 Nm

### Certificates / Approvals



Certification CB, CSA, GOST, UL, VDE-PZI

#### CSA

Nominal voltage $U_N$	300 V
Nominal current $I_N$	20 A
AWG/kcmil	28-12

#### UL

Nominal voltage $U_N$	300 V
Nominal current $I_N$	10 A
AWG/kcmil	30-12

### Accessories

Item	Designation	Description
<b>Assembly</b>		
3022218	CLIPFIX 35	Snap-on end bracket, for 35 mm NS 35/7.5 or NS 35/15 DIN rail, can be fitted with Zack strip ZB 8 and ZB 8/27, terminal strip marker KLM 2 and KLM, width: 9.5 mm, color: gray
2770875	D-UKK 3-MSTBVH-5,08	End cover, Length: 56.7 mm, Width: 2.5 mm, Height: 52.3 mm, Color: gray
2770862	D-UKK 3-MSTBVH-5,08 L	End cover, Length: 56.7 mm, Width: 2.5 mm, Height: 52.3 mm, Color: gray
1201413	E/UK 1	End brackets, for supporting the ends of double-level and three-level terminal blocks, width: 10 mm, color: gray
1201028	NS 32 AL UNPERF 2000MM	G rail 32 mm (NS 32)

1201280	NS 32 CU/120QMM UNPERF 2000MM	G-profile DIN rail, deep-drawn, material: Copper, unperforated, height 15 mm, width 32 mm, length 2 m
1201358	NS 32 CU/35QMM UNPERF 2000MM	G-profile DIN rail, material: Copper, unperforated, height 15 mm, width 32 mm, length 2 m
1201002	NS 32 PERF 2000MM	G-profile DIN rail, material: Steel, perforated, height 15 mm, width 32 mm, length 2 m
1201015	NS 32 UNPERF 2000MM	G-profile DIN rail, material: Steel, unperforated, height 15 mm, width 32 mm, length 2 m
0801762	NS 35/ 7,5 CU UNPERF 2000MM	DIN rail, material: Copper, unperforated, height 7.5 mm, width 35 mm, length: 2 m
0801733	NS 35/ 7,5 PERF 2000MM	DIN rail, material: Steel, galvanized and passivated with a thick layer, perforated, height 7.5 mm, width 35 mm, length: 2 m
0801681	NS 35/ 7,5 UNPERF 2000MM	DIN rail, material: Steel, unperforated, height 7.5 mm, width 35 mm, length: 2 m
1201756	NS 35/15 AL UNPERF 2000MM	DIN rail, deep-drawn, high profile, unperforated, 1.5 mm thick, material: Aluminum, height 15 mm, width 35 mm, length 2 m
1201895	NS 35/15 CU UNPERF 2000MM	DIN rail, material: Copper, unperforated, 1.5 mm thick, height 15 mm, width 35 mm, length: 2 m
1201730	NS 35/15 PERF 2000MM	DIN rail, material: Steel, perforated, height 15 mm, width 35 mm, length: 2 m
1201714	NS 35/15 UNPERF 2000MM	DIN rail, material: Steel, unperforated, height 15 mm, width 35 mm, length: 2 m
1201798	NS 35/15-2,3 UNPERF 2000MM	DIN rail, material: Steel, unperforated, 2.3 mm thick, height 15 mm, width 35 mm, length: 2 m

#### Bridges

2303145	EBL 2- 5	Cross connector/bridge, Number of positions: 2, Color: gray
2303158	EBL 3- 5	Cross connector/bridge, Number of positions: 3, Color: gray

#### Marking

1007219	SBS 5:UNBEDRUCKT	Marker cards for modular terminal blocks, color: white
0809793	ZB 5,08:UNBEDRUCKT	Zack strip, unprinted: 10-section, for individual labeling with M-PEN, ZB-T or CMS system, sufficient for 100 terminal blocks per pack

#### Tools

1205053	SZS 0,6X3,5	Screwdriver, bladed, matches all screw terminal blocks up to 4.0 mm <sup>2</sup> connection cross section, blade: 0.6 x 3.5 mm, without VDE approval
---------	-------------	--

### Additional products

Item	Designation	Description
<b>General</b>		
1873058	FKC 2,5/ 2-ST-5,08	Plug component, Nominal current: 12 A, Nom. voltage: 250 V, Pitch: 5.08 mm, Number of positions: 2, Connection type: Spring-cage conn., Color: green
1873061	FKC 2,5/ 3-ST-5,08	Plug component, Nominal current: 12 A, Nom. voltage: 250 V, Pitch: 5.08 mm, Number of positions: 3, Connection type: Spring-cage conn., Color: green
1873074	FKC 2,5/ 4-ST-5,08	Plug component, Nominal current: 12 A, Nom. voltage: 250 V, Pitch: 5.08 mm, Number of positions: 4, Connection type: Spring-cage conn., Color: green
1873087	FKC 2,5/ 5-ST-5,08	Plug component, Nominal current: 12 A, Nom. voltage: 250 V, Pitch: 5.08 mm, Number of positions: 5, Connection type: Spring-cage conn., Color: green
1873090	FKC 2,5/ 6-ST-5,08	Plug component, Nominal current: 12 A, Nom. voltage: 250 V, Pitch: 5.08 mm, Number of positions: 6, Connection type: Spring-cage conn., Color: green
1873100	FKC 2,5/ 7-ST-5,08	Plug component, Nominal current: 12 A, Nom. voltage: 250 V, Pitch: 5.08 mm, Number of positions: 7, Connection type: Spring-cage conn., Color: green
1873113	FKC 2,5/ 8-ST-5,08	Plug component, Nominal current: 12 A, Nom. voltage: 250 V, Pitch: 5.08 mm, Number of positions: 8, Connection type: Spring-cage conn., Color: green
1873126	FKC 2,5/ 9-ST-5,08	Plug component, Nominal current: 12 A, Nom. voltage: 250 V, Pitch: 5.08 mm, Number of positions: 9, Connection type: Spring-cage conn., Color: green
1873139	FKC 2,5/10-ST-5,08	Plug component, Nominal current: 12 A, Nom. voltage: 250 V, Pitch: 5.08 mm, Number of positions: 10, Connection type: Spring-cage conn., Color: green
1873142	FKC 2,5/11-ST-5,08	Plug component, Nominal current: 12 A, Nom. voltage: 250 V, Pitch: 5.08 mm, Number of positions: 11, Connection type: Spring-cage conn., Color: green
1873155	FKC 2,5/12-ST-5,08	Plug component, Nominal current: 12 A, Nom. voltage: 250 V, Pitch: 5.08 mm, Number of positions: 12, Connection type: Spring-cage conn., Color: green
1873168	FKC 2,5/13-ST-5,08	Plug component, Nominal current: 12 A, Nom. voltage: 250 V, Pitch: 5.08 mm, Number of positions: 13, Connection type: Spring-cage conn., Color: green
1873171	FKC 2,5/14-ST-5,08	Plug component, Nominal current: 12 A, Nom. voltage: 250 V, Pitch: 5.08 mm, Number of positions: 14, Connection type: Spring-cage conn., Color: green
1873184	FKC 2,5/15-ST-5,08	Plug component, Nominal current: 12 A, Nom. voltage: 250 V, Pitch: 5.08 mm, Number of positions: 15, Connection type: Spring-cage conn., Color: green

1873197	FKC 2,5/16-ST-5,08	Plug component, Nominal current: 12 A, Nom. voltage: 250 V, Pitch: 5.08 mm, Number of positions: 16, Connection type: Spring-cage conn., Color: green
1777280	FRONT-MSTB 2,5/ 2-ST-5,08	Plug component, Nominal current: 12 A, Nom. voltage: 250 V, Pitch: 5.08 mm, Number of positions: 2, Connection type: Screw connection, Color: green
1777293	FRONT-MSTB 2,5/ 3-ST-5,08	Plug component, Nominal current: 12 A, Nom. voltage: 250 V, Pitch: 5.08 mm, Number of positions: 3, Connection type: Screw connection, Color: green
1777303	FRONT-MSTB 2,5/ 4-ST-5,08	Plug component, Nominal current: 12 A, Nom. voltage: 250 V, Pitch: 5.08 mm, Number of positions: 4, Connection type: Screw connection, Color: green
1777316	FRONT-MSTB 2,5/ 5-ST-5,08	Plug component, Nominal current: 12 A, Nom. voltage: 250 V, Pitch: 5.08 mm, Number of positions: 5, Connection type: Screw connection, Color: green
1777329	FRONT-MSTB 2,5/ 6-ST-5,08	Plug component, Nominal current: 12 A, Nom. voltage: 250 V, Pitch: 5.08 mm, Number of positions: 6, Connection type: Screw connection, Color: green
1777332	FRONT-MSTB 2,5/ 7-ST-5,08	Plug component, Nominal current: 12 A, Nom. voltage: 250 V, Pitch: 5.08 mm, Number of positions: 7, Connection type: Screw connection, Color: green
1777345	FRONT-MSTB 2,5/ 8-ST-5,08	Plug component, Nominal current: 12 A, Nom. voltage: 250 V, Pitch: 5.08 mm, Number of positions: 8, Connection type: Screw connection, Color: green
1777358	FRONT-MSTB 2,5/ 9-ST-5,08	Plug component, Nominal current: 12 A, Nom. voltage: 250 V, Pitch: 5.08 mm, Number of positions: 9, Connection type: Screw connection, Color: green
1777361	FRONT-MSTB 2,5/10-ST-5,08	Plug component, Nominal current: 12 A, Nom. voltage: 250 V, Pitch: 5.08 mm, Number of positions: 10, Connection type: Screw connection, Color: green
1777374	FRONT-MSTB 2,5/11-ST-5,08	Plug component, Nominal current: 12 A, Nom. voltage: 250 V, Pitch: 5.08 mm, Number of positions: 11, Connection type: Screw connection, Color: green
1777387	FRONT-MSTB 2,5/12-ST-5,08	Plug component, Nominal current: 12 A, Nom. voltage: 250 V, Pitch: 5.08 mm, Number of positions: 12, Connection type: Screw connection, Color: green
1777390	FRONT-MSTB 2,5/13-ST-5,08	Plug component, Nominal current: 12 A, Nom. voltage: 250 V, Pitch: 5.08 mm, Number of positions: 13, Connection type: Screw connection, Color: green
1777400	FRONT-MSTB 2,5/14-ST-5,08	Plug component, Nominal current: 12 A, Nom. voltage: 250 V, Pitch: 5.08 mm, Number of positions: 14, Connection type: Screw connection, Color: green
1777413	FRONT-MSTB 2,5/15-ST-5,08	Plug component, Nominal current: 12 A, Nom. voltage: 250 V, Pitch: 5.08 mm, Number of positions: 15, Connection type: Screw connection, Color: green
1777426	FRONT-MSTB 2,5/16-ST-5,08	Plug component, Nominal current: 12 A, Nom. voltage: 250 V, Pitch: 5.08 mm, Number of positions: 16, Connection type: Screw connection, Color: green

1777439	FRONT-MSTB 2,5/17-ST-5,08	Plug component, Nominal current: 12 A, Nom. voltage: 250 V, Pitch: 5.08 mm, Number of positions: 17, Connection type: Screw connection, Color: green
1777442	FRONT-MSTB 2,5/18-ST-5,08	Plug component, Nominal current: 12 A, Nom. voltage: 250 V, Pitch: 5.08 mm, Number of positions: 18, Connection type: Screw connection, Color: green
1777455	FRONT-MSTB 2,5/19-ST-5,08	Plug component, Nominal current: 12 A, Nom. voltage: 250 V, Pitch: 5.08 mm, Number of positions: 19, Connection type: Screw connection, Color: green
1777468	FRONT-MSTB 2,5/20-ST-5,08	Plug component, Nominal current: 12 A, Nom. voltage: 250 V, Pitch: 5.08 mm, Number of positions: 20, Connection type: Screw connection, Color: green
1777471	FRONT-MSTB 2,5/21-ST-5,08	Plug component, Nominal current: 12 A, Nom. voltage: 250 V, Pitch: 5.08 mm, Number of positions: 21, Connection type: Screw connection, Color: green
1777484	FRONT-MSTB 2,5/22-ST-5,08	Plug component, Nominal current: 12 A, Nom. voltage: 250 V, Pitch: 5.08 mm, Number of positions: 22, Connection type: Screw connection, Color: green
1777497	FRONT-MSTB 2,5/23-ST-5,08	Plug component, Nominal current: 12 A, Nom. voltage: 250 V, Pitch: 5.08 mm, Number of positions: 23, Connection type: Screw connection, Color: green
1777507	FRONT-MSTB 2,5/24-ST-5,08	Plug component, Nominal current: 12 A, Nom. voltage: 250 V, Pitch: 5.08 mm, Number of positions: 24, Connection type: Screw connection, Color: green
1757019	MSTB 2,5/ 2-ST-5,08	Plug component, Nominal current: 12 A, Nom. voltage: 250 V, Pitch: 5.08 mm, Number of positions: 2, Connection type: Screw connection, Color: green
1757022	MSTB 2,5/ 3-ST-5,08	Plug component, Nominal current: 12 A, Nom. voltage: 250 V, Pitch: 5.08 mm, Number of positions: 3, Connection type: Screw connection, Color: green
1776168	MSTB 2,5/ 3-STZ-5,08	Plug component, Nominal current: 12 A, Nom. voltage: 250 V, Pitch: 5.08 mm, Number of positions: 3, Connection type: Screw connection, Color: green
1757035	MSTB 2,5/ 4-ST-5,08	Plug component, Nominal current: 12 A, Nom. voltage: 250 V, Pitch: 5.08 mm, Number of positions: 4, Connection type: Screw connection, Color: green
1776155	MSTB 2,5/ 4-STZ-5,08	Plug component, Nominal current: 12 A, Nom. voltage: 250 V, Pitch: 5.08 mm, Number of positions: 4, Connection type: Screw connection, Color: green
1757048	MSTB 2,5/ 5-ST-5,08	Plug component, Nominal current: 12 A, Nom. voltage: 250 V, Pitch: 5.08 mm, Number of positions: 5, Connection type: Screw connection, Color: green
1776142	MSTB 2,5/ 5-STZ-5,08	Plug component, Nominal current: 12 A, Nom. voltage: 250 V, Pitch: 5.08 mm, Number of positions: 5, Connection type: Screw connection, Color: green
1757051	MSTB 2,5/ 6-ST-5,08	Plug component, Nominal current: 12 A, Nom. voltage: 250 V, Pitch: 5.08 mm, Number of positions: 6, Connection type: Screw connection, Color: green



---

1776126	MSTB 2,5/ 6-STZ-5,08	Plug component, Nominal current: 12 A, Nom. voltage: 250 V, Pitch: 5.08 mm, Number of positions: 6, Connection type: Screw connection, Color: green
1757064	MSTB 2,5/ 7-ST-5,08	Plug component, Nominal current: 12 A, Nom. voltage: 250 V, Pitch: 5.08 mm, Number of positions: 7, Connection type: Screw connection, Color: green
1776113	MSTB 2,5/ 7-STZ-5,08	Plug component, Nominal current: 12 A, Nom. voltage: 250 V, Pitch: 5.08 mm, Number of positions: 7, Connection type: Screw connection, Color: green
1757077	MSTB 2,5/ 8-ST-5,08	Plug component, Nominal current: 12 A, Nom. voltage: 250 V, Pitch: 5.08 mm, Number of positions: 8, Connection type: Screw connection, Color: green
1764235	MSTB 2,5/ 8-STZ-5,08	Plug component, Nominal current: 12 A, Nom. voltage: 250 V, Pitch: 5.08 mm, Number of positions: 8, Connection type: Screw connection, Color: green
1757080	MSTB 2,5/ 9-ST-5,08	Plug component, Nominal current: 12 A, Nom. voltage: 250 V, Pitch: 5.08 mm, Number of positions: 9, Connection type: Screw connection, Color: green
1764316	MSTB 2,5/ 9-STZ-5,08	Plug component, Nominal current: 12 A, Nom. voltage: 250 V, Pitch: 5.08 mm, Number of positions: 9, Connection type: Screw connection, Color: green
1757093	MSTB 2,5/10-ST-5,08	Plug component, Nominal current: 12 A, Nom. voltage: 250 V, Pitch: 5.08 mm, Number of positions: 10, Connection type: Screw connection, Color: green
1764303	MSTB 2,5/10-STZ-5,08	Plug component, Nominal current: 12 A, Nom. voltage: 250 V, Pitch: 5.08 mm, Number of positions: 10, Connection type: Screw connection, Color: green
1757103	MSTB 2,5/11-ST-5,08	Plug component, Nominal current: 12 A, Nom. voltage: 250 V, Pitch: 5.08 mm, Number of positions: 11, Connection type: Screw connection, Color: green
1764293	MSTB 2,5/11-STZ-5,08	Plug component, Nominal current: 12 A, Nom. voltage: 250 V, Pitch: 5.08 mm, Number of positions: 11, Connection type: Screw connection, Color: green
1757116	MSTB 2,5/12-ST-5,08	Plug component, Nominal current: 12 A, Nom. voltage: 250 V, Pitch: 5.08 mm, Number of positions: 12, Connection type: Screw connection, Color: green
1764280	MSTB 2,5/12-STZ-5,08	Plug component, Nominal current: 12 A, Nom. voltage: 250 V, Pitch: 5.08 mm, Number of positions: 12, Connection type: Screw connection, Color: green
1757129	MSTB 2,5/13-ST-5,08	Plug component, Nominal current: 12 A, Nom. voltage: 250 V, Pitch: 5.08 mm, Number of positions: 13, Connection type: Screw connection, Color: green
1764277	MSTB 2,5/13-STZ-5,08	Plug component, Nominal current: 12 A, Nom. voltage: 250 V, Pitch: 5.08 mm, Number of positions: 13, Connection type: Screw connection, Color: green
1757132	MSTB 2,5/14-ST-5,08	Plug component, Nominal current: 12 A, Nom. voltage: 250 V, Pitch: 5.08 mm, Number of positions: 14, Connection type: Screw connection, Color: green



1764264	MSTB 2,5/14-STZ-5,08	Plug component, Nominal current: 12 A, Nom. voltage: 250 V, Pitch: 5.08 mm, Number of positions: 14, Connection type: Screw connection, Color: green
1757145	MSTB 2,5/15-ST-5,08	Plug component, Nominal current: 12 A, Nom. voltage: 250 V, Pitch: 5.08 mm, Number of positions: 15, Connection type: Screw connection, Color: green
1764251	MSTB 2,5/15-STZ-5,08	Plug component, Nominal current: 12 A, Nom. voltage: 250 V, Pitch: 5.08 mm, Number of positions: 15, Connection type: Screw connection, Color: green
1757158	MSTB 2,5/16-ST-5,08	Plug component, Nominal current: 12 A, Nom. voltage: 250 V, Pitch: 5.08 mm, Number of positions: 16, Connection type: Screw connection, Color: green
1764248	MSTB 2,5/16-STZ-5,08	Plug component, Nominal current: 12 A, Nom. voltage: 250 V, Pitch: 5.08 mm, Number of positions: 16, Connection type: Screw connection, Color: green
1757161	MSTB 2,5/17-ST-5,08	Plug component, Nominal current: 12 A, Nom. voltage: 250 V, Pitch: 5.08 mm, Number of positions: 17, Connection type: Screw connection, Color: green
1757174	MSTB 2,5/18-ST-5,08	Plug component, Nominal current: 12 A, Nom. voltage: 250 V, Pitch: 5.08 mm, Number of positions: 18, Connection type: Screw connection, Color: green
1757187	MSTB 2,5/19-ST-5,08	Plug component, Nominal current: 12 A, Nom. voltage: 250 V, Pitch: 5.08 mm, Number of positions: 19, Connection type: Screw connection, Color: green
1757190	MSTB 2,5/20-ST-5,08	Plug component, Nominal current: 12 A, Nom. voltage: 250 V, Pitch: 5.08 mm, Number of positions: 20, Connection type: Screw connection, Color: green
1757200	MSTB 2,5/21-ST-5,08	Plug component, Nominal current: 12 A, Nom. voltage: 250 V, Pitch: 5.08 mm, Number of positions: 21, Connection type: Screw connection, Color: green
1757213	MSTB 2,5/22-ST-5,08	Plug component, Nominal current: 12 A, Nom. voltage: 250 V, Pitch: 5.08 mm, Number of positions: 22, Connection type: Screw connection, Color: green
1757226	MSTB 2,5/23-ST-5,08	Plug component, Nominal current: 12 A, Nom. voltage: 250 V, Pitch: 5.08 mm, Number of positions: 23, Connection type: Screw connection, Color: green
1757239	MSTB 2,5/24-ST-5,08	Plug component, Nominal current: 12 A, Nom. voltage: 250 V, Pitch: 5.08 mm, Number of positions: 24, Connection type: Screw connection, Color: green
1808816	MSTBC 2,5/ 2-ST-5,08	Plug component, Nominal current: 12 A, Nom. voltage: 320 V, Pitch: 5.08 mm, Number of positions: 2, Connection type: Crimp connection, Color: green
1809501	MSTBC 2,5/ 2-STZ-5,08	Plug component, Nominal current: 12 A, Nom. voltage: 320 V, Pitch: 5.08 mm, Number of positions: 2, Connection type: Crimp connection, Color: green
1808829	MSTBC 2,5/ 3-ST-5,08	Plug component, Nominal current: 12 A, Nom. voltage: 320 V, Pitch: 5.08 mm, Number of positions: 3, Connection type: Crimp connection, Color: green

1809514	MSTBC 2,5/ 3-STZ-5,08	Plug component, Nominal current: 12 A, Nom. voltage: 320 V, Pitch: 5.08 mm, Number of positions: 3, Connection type: Crimp connection, Color: green
1808832	MSTBC 2,5/ 4-ST-5,08	Plug component, Nominal current: 12 A, Nom. voltage: 320 V, Pitch: 5.08 mm, Number of positions: 4, Connection type: Crimp connection, Color: green
1809527	MSTBC 2,5/ 4-STZ-5,08	Plug component, Nominal current: 12 A, Nom. voltage: 320 V, Pitch: 5.08 mm, Number of positions: 4, Connection type: Crimp connection, Color: green
1808845	MSTBC 2,5/ 5-ST-5,08	Plug component, Nominal current: 12 A, Nom. voltage: 320 V, Pitch: 5.08 mm, Number of positions: 5, Connection type: Crimp connection, Color: green
1809530	MSTBC 2,5/ 5-STZ-5,08	Plug component, Nominal current: 12 A, Nom. voltage: 320 V, Pitch: 5.08 mm, Number of positions: 5, Connection type: Crimp connection, Color: green
1808858	MSTBC 2,5/ 6-ST-5,08	Plug component, Nominal current: 12 A, Nom. voltage: 320 V, Pitch: 5.08 mm, Number of positions: 6, Connection type: Crimp connection, Color: green
1809543	MSTBC 2,5/ 6-STZ-5,08	Plug component, Nominal current: 12 A, Nom. voltage: 320 V, Pitch: 5.08 mm, Number of positions: 6, Connection type: Crimp connection, Color: green
1808861	MSTBC 2,5/ 7-ST-5,08	Plug component, Nominal current: 12 A, Nom. voltage: 320 V, Pitch: 5.08 mm, Number of positions: 7, Connection type: Crimp connection, Color: green
1809556	MSTBC 2,5/ 7-STZ-5,08	Plug component, Nominal current: 12 A, Nom. voltage: 320 V, Pitch: 5.08 mm, Number of positions: 7, Connection type: Crimp connection, Color: green
1808874	MSTBC 2,5/ 8-ST-5,08	Plug component, Nominal current: 12 A, Nom. voltage: 320 V, Pitch: 5.08 mm, Number of positions: 8, Connection type: Crimp connection, Color: green
1809569	MSTBC 2,5/ 8-STZ-5,08	Plug component, Nominal current: 12 A, Nom. voltage: 320 V, Pitch: 5.08 mm, Number of positions: 8, Connection type: Crimp connection, Color: green
1808887	MSTBC 2,5/ 9-ST-5,08	Plug component, Nominal current: 12 A, Nom. voltage: 320 V, Pitch: 5.08 mm, Number of positions: 9, Connection type: Crimp connection, Color: green
1809572	MSTBC 2,5/ 9-STZ-5,08	Plug component, Nominal current: 12 A, Nom. voltage: 320 V, Pitch: 5.08 mm, Number of positions: 9, Connection type: Crimp connection, Color: green
1808890	MSTBC 2,5/10-ST-5,08	Plug component, Nominal current: 12 A, Nom. voltage: 320 V, Pitch: 5.08 mm, Number of positions: 10, Connection type: Crimp connection, Color: green
1809585	MSTBC 2,5/10-STZ-5,08	Plug component, Nominal current: 12 A, Nom. voltage: 320 V, Pitch: 5.08 mm, Number of positions: 10, Connection type: Crimp connection, Color: green
1808900	MSTBC 2,5/11-ST-5,08	Plug component, Nominal current: 12 A, Nom. voltage: 320 V, Pitch: 5.08 mm, Number of positions: 11, Connection type: Crimp connection, Color: green

1809598	MSTBC 2,5/11-STZ-5,08	Plug component, Nominal current: 12 A, Nom. voltage: 320 V, Pitch: 5.08 mm, Number of positions: 11, Connection type: Crimp connection, Color: green
1808913	MSTBC 2,5/12-ST-5,08	Plug component, Nominal current: 12 A, Nom. voltage: 320 V, Pitch: 5.08 mm, Number of positions: 12, Connection type: Crimp connection, Color: green
1809608	MSTBC 2,5/12-STZ-5,08	Plug component, Nominal current: 12 A, Nom. voltage: 320 V, Pitch: 5.08 mm, Number of positions: 12, Connection type: Crimp connection, Color: green
1808926	MSTBC 2,5/13-ST-5,08	Plug component, Nominal current: 12 A, Nom. voltage: 320 V, Pitch: 5.08 mm, Number of positions: 13, Connection type: Crimp connection, Color: green
1809611	MSTBC 2,5/13-STZ-5,08	Plug component, Nominal current: 12 A, Nom. voltage: 320 V, Pitch: 5.08 mm, Number of positions: 13, Connection type: Crimp connection, Color: green
1808939	MSTBC 2,5/14-ST-5,08	Plug component, Nominal current: 12 A, Nom. voltage: 320 V, Pitch: 5.08 mm, Number of positions: 14, Connection type: Crimp connection, Color: green
1809624	MSTBC 2,5/14-STZ-5,08	Plug component, Nominal current: 12 A, Nom. voltage: 320 V, Pitch: 5.08 mm, Number of positions: 14, Connection type: Crimp connection, Color: green
1808942	MSTBC 2,5/15-ST-5,08	Plug component, Nominal current: 12 A, Nom. voltage: 320 V, Pitch: 5.08 mm, Number of positions: 15, Connection type: Crimp connection, Color: green
1809637	MSTBC 2,5/15-STZ-5,08	Plug component, Nominal current: 12 A, Nom. voltage: 320 V, Pitch: 5.08 mm, Number of positions: 15, Connection type: Crimp connection, Color: green
1808955	MSTBC 2,5/16-ST-5,08	Plug component, Nominal current: 12 A, Nom. voltage: 320 V, Pitch: 5.08 mm, Number of positions: 16, Connection type: Crimp connection, Color: green
1809640	MSTBC 2,5/16-STZ-5,08	Plug component, Nominal current: 12 A, Nom. voltage: 320 V, Pitch: 5.08 mm, Number of positions: 16, Connection type: Crimp connection, Color: green
1808968	MSTBC 2,5/17-ST-5,08	Plug component, Nominal current: 12 A, Nom. voltage: 320 V, Pitch: 5.08 mm, Number of positions: 17, Connection type: Crimp connection, Color: green
1809653	MSTBC 2,5/17-STZ-5,08	Plug component, Nominal current: 12 A, Nom. voltage: 320 V, Pitch: 5.08 mm, Number of positions: 17, Connection type: Crimp connection, Color: green
1808971	MSTBC 2,5/18-ST-5,08	Plug component, Nominal current: 12 A, Nom. voltage: 320 V, Pitch: 5.08 mm, Number of positions: 18, Connection type: Crimp connection, Color: green
1809666	MSTBC 2,5/18-STZ-5,08	Plug component, Nominal current: 12 A, Nom. voltage: 320 V, Pitch: 5.08 mm, Number of positions: 18, Connection type: Crimp connection, Color: green
1808984	MSTBC 2,5/19-ST-5,08	Plug component, Nominal current: 12 A, Nom. voltage: 320 V, Pitch: 5.08 mm, Number of positions: 19, Connection type: Crimp connection, Color: green

1809679	MSTBC 2,5/19-STZ-5,08	Plug component, Nominal current: 12 A, Nom. voltage: 320 V, Pitch: 5.08 mm, Number of positions: 19, Connection type: Crimp connection, Color: green
1808997	MSTBC 2,5/20-ST-5,08	Plug component, Nominal current: 12 A, Nom. voltage: 320 V, Pitch: 5.08 mm, Number of positions: 20, Connection type: Crimp connection, Color: green
1809682	MSTBC 2,5/20-STZ-5,08	Plug component, Nominal current: 12 A, Nom. voltage: 320 V, Pitch: 5.08 mm, Number of positions: 20, Connection type: Crimp connection, Color: green
1809006	MSTBC 2,5/21-ST-5,08	Plug component, Nominal current: 12 A, Nom. voltage: 320 V, Pitch: 5.08 mm, Number of positions: 21, Connection type: Crimp connection, Color: green
1809695	MSTBC 2,5/21-STZ-5,08	Plug component, Nominal current: 12 A, Nom. voltage: 320 V, Pitch: 5.08 mm, Number of positions: 21, Connection type: Crimp connection, Color: green
1809019	MSTBC 2,5/22-ST-5,08	Plug component, Nominal current: 12 A, Nom. voltage: 320 V, Pitch: 5.08 mm, Number of positions: 22, Connection type: Crimp connection, Color: green
1809705	MSTBC 2,5/22-STZ-5,08	Plug component, Nominal current: 12 A, Nom. voltage: 320 V, Pitch: 5.08 mm, Number of positions: 22, Connection type: Crimp connection, Color: green
1809022	MSTBC 2,5/23-ST-5,08	Plug component, Nominal current: 12 A, Nom. voltage: 320 V, Pitch: 5.08 mm, Number of positions: 23, Connection type: Crimp connection, Color: green
1809718	MSTBC 2,5/23-STZ-5,08	Plug component, Nominal current: 12 A, Nom. voltage: 320 V, Pitch: 5.08 mm, Number of positions: 23, Connection type: Crimp connection, Color: green
1809035	MSTBC 2,5/24-ST-5,08	Plug component, Nominal current: 12 A, Nom. voltage: 320 V, Pitch: 5.08 mm, Number of positions: 24, Connection type: Crimp connection, Color: green
1809721	MSTBC 2,5/24-STZ-5,08	Plug component, Nominal current: 12 A, Nom. voltage: 320 V, Pitch: 5.08 mm, Number of positions: 24, Connection type: Crimp connection, Color: green
1769010	MSTBP 2,5/ 2-ST-5,08	Plug component, Nominal current: 12 A, Nom. voltage: 250 V, Pitch: 5.08 mm, Number of positions: 2, Connection type: Screw connection, Color: green
1769023	MSTBP 2,5/ 3-ST-5,08	Plug component, Nominal current: 12 A, Nom. voltage: 250 V, Pitch: 5.08 mm, Number of positions: 3, Connection type: Screw connection, Color: green
1769036	MSTBP 2,5/ 4-ST-5,08	Plug component, Nominal current: 12 A, Nom. voltage: 250 V, Pitch: 5.08 mm, Number of positions: 4, Connection type: Screw connection, Color: green
1769049	MSTBP 2,5/ 5-ST-5,08	Plug component, Nominal current: 12 A, Nom. voltage: 250 V, Pitch: 5.08 mm, Number of positions: 5, Connection type: Screw connection, Color: green
1769052	MSTBP 2,5/ 6-ST-5,08	Plug component, Nominal current: 12 A, Nom. voltage: 250 V, Pitch: 5.08 mm, Number of positions: 6, Connection type: Screw connection, Color: green

1769065	MSTBP 2,5/ 7-ST-5,08	Plug component, Nominal current: 12 A, Nom. voltage: 250 V, Pitch: 5.08 mm, Number of positions: 7, Connection type: Screw connection, Color: green
1769078	MSTBP 2,5/ 8-ST-5,08	Plug component, Nominal current: 12 A, Nom. voltage: 250 V, Pitch: 5.08 mm, Number of positions: 8, Connection type: Screw connection, Color: green
1769081	MSTBP 2,5/ 9-ST-5,08	Plug component, Nominal current: 12 A, Nom. voltage: 250 V, Pitch: 5.08 mm, Number of positions: 9, Connection type: Screw connection, Color: green
1769094	MSTBP 2,5/10-ST-5,08	Plug component, Nominal current: 12 A, Nom. voltage: 250 V, Pitch: 5.08 mm, Number of positions: 10, Connection type: Screw connection, Color: green
1769104	MSTBP 2,5/11-ST-5,08	Plug component, Nominal current: 12 A, Nom. voltage: 250 V, Pitch: 5.08 mm, Number of positions: 11, Connection type: Screw connection, Color: green
1769117	MSTBP 2,5/12-ST-5,08	Plug component, Nominal current: 12 A, Nom. voltage: 250 V, Pitch: 5.08 mm, Number of positions: 12, Connection type: Screw connection, Color: green
1769120	MSTBP 2,5/13-ST-5,08	Plug component, Nominal current: 12 A, Nom. voltage: 250 V, Pitch: 5.08 mm, Number of positions: 13, Connection type: Screw connection, Color: green
1769133	MSTBP 2,5/14-ST-5,08	Plug component, Nominal current: 12 A, Nom. voltage: 250 V, Pitch: 5.08 mm, Number of positions: 14, Connection type: Screw connection, Color: green
1769146	MSTBP 2,5/15-ST-5,08	Plug component, Nominal current: 12 A, Nom. voltage: 250 V, Pitch: 5.08 mm, Number of positions: 15, Connection type: Screw connection, Color: green
1769159	MSTBP 2,5/16-ST-5,08	Plug component, Nominal current: 12 A, Nom. voltage: 250 V, Pitch: 5.08 mm, Number of positions: 16, Connection type: Screw connection, Color: green
1769162	MSTBP 2,5/17-ST-5,08	Plug component, Nominal current: 12 A, Nom. voltage: 250 V, Pitch: 5.08 mm, Number of positions: 17, Connection type: Screw connection, Color: green
1769175	MSTBP 2,5/18-ST-5,08	Plug component, Nominal current: 12 A, Nom. voltage: 250 V, Pitch: 5.08 mm, Number of positions: 18, Connection type: Screw connection, Color: green
1769188	MSTBP 2,5/19-ST-5,08	Plug component, Nominal current: 12 A, Nom. voltage: 250 V, Pitch: 5.08 mm, Number of positions: 19, Connection type: Screw connection, Color: green
1769191	MSTBP 2,5/20-ST-5,08	Plug component, Nominal current: 12 A, Nom. voltage: 250 V, Pitch: 5.08 mm, Number of positions: 20, Connection type: Screw connection, Color: green
1769201	MSTBP 2,5/21-ST-5,08	Plug component, Nominal current: 12 A, Nom. voltage: 250 V, Pitch: 5.08 mm, Number of positions: 21, Connection type: Screw connection, Color: green
1769214	MSTBP 2,5/22-ST-5,08	Plug component, Nominal current: 12 A, Nom. voltage: 250 V, Pitch: 5.08 mm, Number of positions: 22, Connection type: Screw connection, Color: green

1769227	MSTBP 2,5/23-ST-5,08	Plug component, Nominal current: 12 A, Nom. voltage: 250 V, Pitch: 5.08 mm, Number of positions: 23, Connection type: Screw connection, Color: green
1769696	MSTBP 2,5/24-ST-5,08	Plug component, Nominal current: 12 A, Nom. voltage: 250 V, Pitch: 5.08 mm, Number of positions: 24, Connection type: Screw connection, Color: green
1883255	QC 1/ 2-ST-5,08	Plug component, Nominal current: 10 A, Nom. voltage: 500 V, Pitch: 5.08 mm, Number of positions: 2, Connection type: Insulation displacement connection QUICKON, Color: green
1883268	QC 1/ 3-ST-5,08	Plug component, Nominal current: 10 A, Nom. voltage: 500 V, Pitch: 5.08 mm, Number of positions: 3, Connection type: Insulation displacement connection QUICKON, Color: green
1883271	QC 1/ 4-ST-5,08	Plug component, Nominal current: 10 A, Nom. voltage: 500 V, Pitch: 5.08 mm, Number of positions: 4, Connection type: Insulation displacement connection QUICKON, Color: green
1883284	QC 1/ 5-ST-5,08	Plug component, Nominal current: 10 A, Nom. voltage: 500 V, Pitch: 5.08 mm, Number of positions: 5, Connection type: Insulation displacement connection QUICKON, Color: green
1883297	QC 1/ 6-ST-5,08	Plug component, Nominal current: 10 A, Nom. voltage: 500 V, Pitch: 5.08 mm, Number of positions: 6, Connection type: Insulation displacement connection QUICKON, Color: green
1883307	QC 1/ 7-ST-5,08	Plug component, Nominal current: 10 A, Nom. voltage: 500 V, Pitch: 5.08 mm, Number of positions: 7, Connection type: Insulation displacement connection QUICKON, Color: green
1883310	QC 1/ 8-ST-5,08	Plug component, Nominal current: 10 A, Nom. voltage: 500 V, Pitch: 5.08 mm, Number of positions: 8, Connection type: Insulation displacement connection QUICKON, Color: green
1883323	QC 1/ 9-ST-5,08	Plug component, Nominal current: 10 A, Nom. voltage: 500 V, Pitch: 5.08 mm, Number of positions: 9, Connection type: Insulation displacement connection QUICKON, Color: green
1883336	QC 1/10-ST-5,08	Plug component, Nominal current: 10 A, Nom. voltage: 500 V, Pitch: 5.08 mm, Number of positions: 10, Connection type: Insulation displacement connection QUICKON, Color: green
1883349	QC 1/11-ST-5,08	Plug component, Nominal current: 10 A, Nom. voltage: 500 V, Pitch: 5.08 mm, Number of positions: 11, Connection type: Insulation displacement connection QUICKON, Color: green
1883705	QC 1/12-ST-5,08	Plug component, Nominal current: 10 A, Nom. voltage: 500 V, Pitch: 5.08 mm, Number of positions: 12, Connection type: Insulation displacement connection QUICKON, Color: green
1883815	QC 1/13-ST-5,08	Plug component, Nominal current: 10 A, Nom. voltage: 500 V, Pitch: 5.08 mm, Number of positions: 13, Connection type: Insulation displacement connection QUICKON, Color: green
1883828	QC 1/14-ST-5,08	Plug component, Nominal current: 10 A, Nom. voltage: 500 V, Pitch: 5.08 mm, Number of positions: 14, Connection type: Insulation displacement connection QUICKON, Color: green
1883831	QC 1/15-ST-5,08	Plug component, Nominal current: 10 A, Nom. voltage: 500 V, Pitch: 5.08 mm, Number of positions: 15, Connection type: Insulation displacement connection QUICKON, Color: green



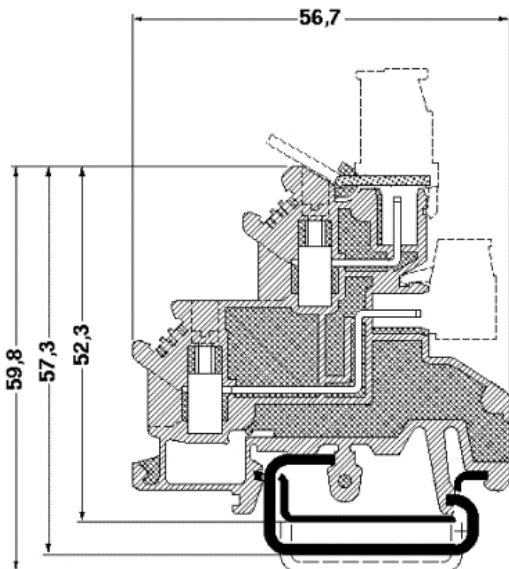
1883844	QC 1/16-ST-5,08	Plug component, Nominal current: 10 A, Nom. voltage: 500 V, Pitch: 5.08 mm, Number of positions: 16, Connection type: Insulation displacement connection QUICKON, Color: green
1826283	SMSTB 2,5/ 2-ST-5,08	Plug component, Nominal current: 12 A, Nom. voltage: 250 V, Pitch: 5.08 mm, Number of positions: 2, Connection type: Screw connection, Color: green
1826296	SMSTB 2,5/ 3-ST-5,08	Plug component, Nominal current: 12 A, Nom. voltage: 250 V, Pitch: 5.08 mm, Number of positions: 3, Connection type: Screw connection, Color: green
1826306	SMSTB 2,5/ 4-ST-5,08	Plug component, Nominal current: 12 A, Nom. voltage: 250 V, Pitch: 5.08 mm, Number of positions: 4, Connection type: Screw connection, Color: green
1826319	SMSTB 2,5/ 5-ST-5,08	Plug component, Nominal current: 12 A, Nom. voltage: 250 V, Pitch: 5.08 mm, Number of positions: 5, Connection type: Screw connection, Color: green
1826322	SMSTB 2,5/ 6-ST-5,08	Plug component, Nominal current: 12 A, Nom. voltage: 250 V, Pitch: 5.08 mm, Number of positions: 6, Connection type: Screw connection, Color: green
1826335	SMSTB 2,5/ 7-ST-5,08	Plug component, Nominal current: 12 A, Nom. voltage: 250 V, Pitch: 5.08 mm, Number of positions: 7, Connection type: Screw connection, Color: green
1826348	SMSTB 2,5/ 8-ST-5,08	Plug component, Nominal current: 12 A, Nom. voltage: 250 V, Pitch: 5.08 mm, Number of positions: 8, Connection type: Screw connection, Color: green
1826351	SMSTB 2,5/ 9-ST-5,08	Plug component, Nominal current: 12 A, Nom. voltage: 250 V, Pitch: 5.08 mm, Number of positions: 9, Connection type: Screw connection, Color: green
1826364	SMSTB 2,5/10-ST-5,08	Plug component, Nominal current: 12 A, Nom. voltage: 250 V, Pitch: 5.08 mm, Number of positions: 10, Connection type: Screw connection, Color: green
1826377	SMSTB 2,5/11-ST-5,08	Plug component, Nominal current: 12 A, Nom. voltage: 250 V, Pitch: 5.08 mm, Number of positions: 11, Connection type: Screw connection, Color: green
1826380	SMSTB 2,5/12-ST-5,08	Plug component, Nominal current: 12 A, Nom. voltage: 250 V, Pitch: 5.08 mm, Number of positions: 12, Connection type: Screw connection, Color: green
1826393	SMSTB 2,5/13-ST-5,08	Plug component, Nominal current: 12 A, Nom. voltage: 250 V, Pitch: 5.08 mm, Number of positions: 13, Connection type: Screw connection, Color: green
1826403	SMSTB 2,5/14-ST-5,08	Plug component, Nominal current: 12 A, Nom. voltage: 250 V, Pitch: 5.08 mm, Number of positions: 14, Connection type: Screw connection, Color: green
1826416	SMSTB 2,5/15-ST-5,08	Plug component, Nominal current: 12 A, Nom. voltage: 250 V, Pitch: 5.08 mm, Number of positions: 15, Connection type: Screw connection, Color: green
1826429	SMSTB 2,5/16-ST-5,08	Plug component, Nominal current: 12 A, Nom. voltage: 250 V, Pitch: 5.08 mm, Number of positions: 16, Connection type: Screw connection, Color: green



1850563	SMSTB 2,5/17-ST-5,08	Plug component, Nominal current: 12 A, Nom. voltage: 250 V, Pitch: 5.08 mm, Number of positions: 17, Connection type: Screw connection, Color: green
1850576	SMSTB 2,5/18-ST-5,08	Plug component, Nominal current: 12 A, Nom. voltage: 250 V, Pitch: 5.08 mm, Number of positions: 18, Connection type: Screw connection, Color: green
1850589	SMSTB 2,5/19-ST-5,08	Plug component, Nominal current: 12 A, Nom. voltage: 250 V, Pitch: 5.08 mm, Number of positions: 19, Connection type: Screw connection, Color: green
1850592	SMSTB 2,5/20-ST-5,08	Plug component, Nominal current: 12 A, Nom. voltage: 250 V, Pitch: 5.08 mm, Number of positions: 20, Connection type: Screw connection, Color: green
1850602	SMSTB 2,5/21-ST-5,08	Plug component, Nominal current: 12 A, Nom. voltage: 250 V, Pitch: 5.08 mm, Number of positions: 21, Connection type: Screw connection, Color: green
1850615	SMSTB 2,5/22-ST-5,08	Plug component, Nominal current: 12 A, Nom. voltage: 250 V, Pitch: 5.08 mm, Number of positions: 22, Connection type: Screw connection, Color: green
1850628	SMSTB 2,5/23-ST-5,08	Plug component, Nominal current: 12 A, Nom. voltage: 250 V, Pitch: 5.08 mm, Number of positions: 23, Connection type: Screw connection, Color: green
1850631	SMSTB 2,5/24-ST-5,08	Plug component, Nominal current: 12 A, Nom. voltage: 250 V, Pitch: 5.08 mm, Number of positions: 24, Connection type: Screw connection, Color: green

**Diagrams/Drawings**

Dimensioned drawing



**Address**

PHOENIX CONTACT Deutschland GmbH  
Flachmarktstr. 8  
32825 Blomberg, Germany  
Phone +49 5235 3 12000  
Fax +49 5235 3 41200  
<http://www.phoenixcontact.de>



© 2010 Phoenix Contact  
Technical modifications reserved;