

PRODUCT NUMBER
20020731-XXXXXXLF

# 20020731-

PITCH

Y: 15.0 mm

POLES

02: 2 POLES  
03: 3 POLES  
04: 4 POLES

10: 10 POLES

LF : DENOTED RoHS COMPATIBLE

1 : STANDARD PRODUCT  
W/ BOX PACKING

SCREW CODE

CODE	SCREW TYPE	AVAILABILITY
A	-/+	ON REQUEST ONLY
B	-	STANDARD

PROPERTY TABLE		
FCI SERIES NAME 40-1500		
PITCH (mm) 15.0		
VOLTAGE RATING (VAC) 600		
CURRENT RATING (A) 125		
APPLICABLE WIRE RANGE (AWG)	1-WIRE 2~20	
	2-WIRE 10	
WIRE CROSS SECTION (mm <sup>2</sup> )	SOLID	1-WIRE 35
		2-WIRE 6.0
	STRANDED	1-WIRE 25
		2-WIRE 6.0
OPENING CONTACT HOUSING(mm <sup>2</sup> ) 8.1x8.4		
WIRE STRIP LENGTH(mm) 15~18		
TORQUE +/-10% (N-M/Lb-in) 4.12/36.5		
SCREW M5.0x0.8		
WITHSTANDING VOLTAGE (kV) 2.2		
OPERATING TEMP. (°C) -40~+115		
SOLDERING TEMP. (°C) 250±10 (5 sec.)		
POLES AVAILABLE 02~10		
SAFETY CERTIFICATE		

HOUSING CODE

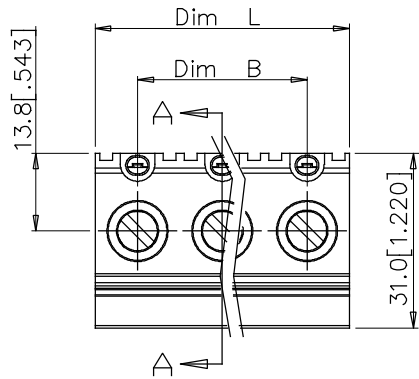
CODE	COLOR	AVAILABILITY
1	GREEN(RAL 6018/T)	STANDARD
2	BLACK	ON REQUEST ONLY
3	GREY(RAL 7004/P)	ON REQUEST ONLY
4	BLUE(RAL 5015/A)	ON REQUEST ONLY

NOTES:

- MATERIAL:
  - 1-1 HOUSIN: THERMOPLASTIC RESIN, UL94V-0 RATED.
  - 1-2 SCREW: STEEL, ZINC PLATED.
  - 1-3 CLAMP: COPPER ALLOY, NICKEL PLATED.
  - 1-1 TERMINAL: COPPER ALLOY TIN PLATED.
- PRODUCT SPECIFICATION REFER TO FCI GS-12-625.
- PRODUCT PACKING SPECIFICATION REFER TO FCI GS-14-1394.
- FCI, SAFETY CERTIFICATE LOGO AND SERIES NAME TO BE SHOWN ON PRODUCT SURFACE.
- THE PRODUCTS WHERE THE PART NUMBER END IN "LF" MEET THE EUROPEAN UNION DIRECTIVE AND OTHER COUNTRY REGULATIONS AS DESCRIBED IN GS-22-008.
- RECOMENDED SOLDERING PROCESS BY WAVE SOLDER.

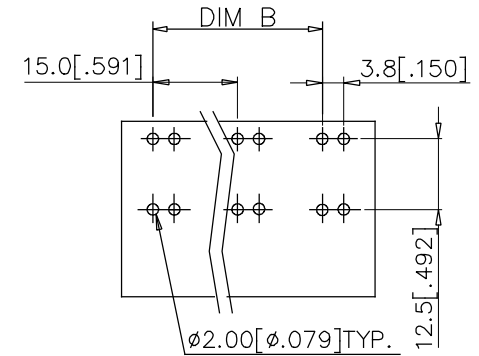
mat'l. code		surface ASME Y14.5 ✓	tolerance ASME Y14.5	projection	product family TERMINAL BLOCK
ltr	ecn no	dr	date	title	
A	T10-0138	WL	083110	TERMINAL BLOCK	
B	T10-0172	WL	102010	FIXED POWER PLUG, MIDDLE CONTACT	
C	T-005202	WL	081911	dwg no 20020731	
D	T-010814	LS	031912	sheet 1 of 2 size A4	
sheet index		revision sheet	D D	type CUSTOMER Drawing	
		1	2		

PRODUCT NUMBER	SERIES NAME	PITCH
20020731-YXXXXXXLF	40-1500	15.0 mm

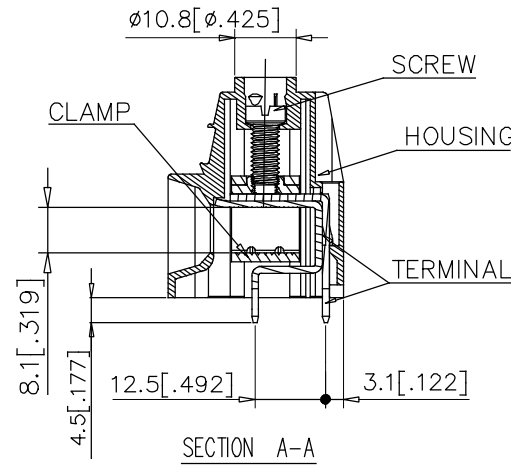
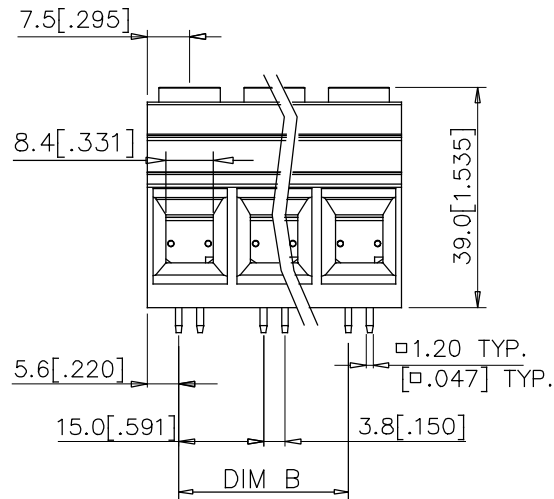
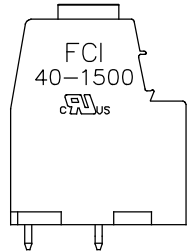


N = Number of poles  
 Dim L =  $N \times 15.0 [.591]$   
 Dim B =  $(N - 1) \times 15.0 [.591]$

Poles	Tolerance
2-3p	$\pm 0.30 [.012]$
4-5p	$\pm 0.50 [.020]$
6-10p	$\pm 0.80 [.031]$



Recommended P.C.B. Layout



mat'l. code		surface ASME Y14.5		tolerance ASME Y14.5		projection 		product family TERMINAL BLOCK	
ltr		ecn no		dr		date		title	
D								TERMINAL BLOCK FIXED POWER PLUG, MIDDLE CONTACT	
		angles		tolerances unless otherwise specified		MM [INCH]		scale	
		X ± 0.5						sheet 2 of 2	
		X.X ± 0.3						size A4	
		X* ± 1*		X.XX ± 0.1				dwg no 20020731	
		dr		WENDY CHEN		082310		type CUSTOMER Drawing	
		enr		JASON HSU		082310			
		chr		GARY HSIEH		082310			
		appd		JOSEPH HSIA		082310			
sheet index		revision sheet							