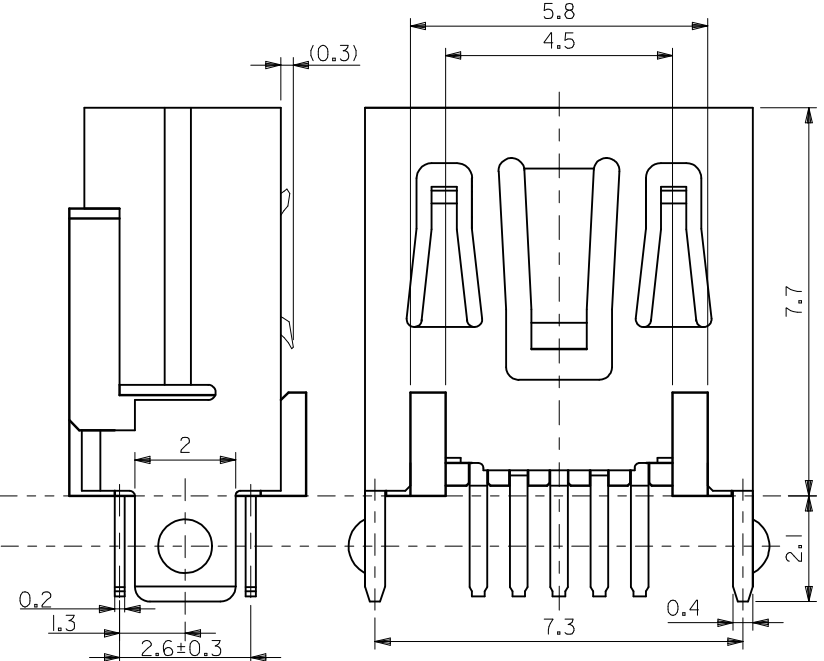
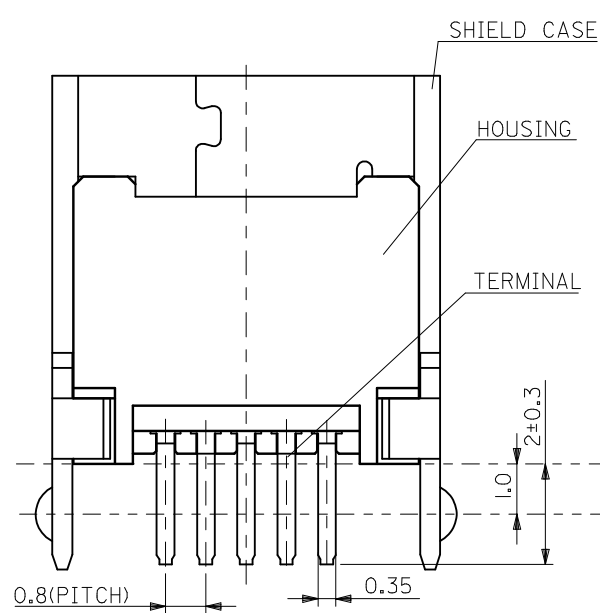


DETAILED FRONTAGE

コネクタ実装側 (CONNECTOR MOUNT SIDE)

逆側 (REVERSE SIDE)

推奨基板寸法
RECOMMENDED P.C.B. PATTERN LAYOUT



注記
NOTES

- 材質
MATERIAL
ハウジング: ポリアミド, 黒色, UL 94V-0
HOUSING: POLYAMIDE, BLACK, UL94V-0
ターミナル: 銅合金 (t=0.2)
TERMINAL: COPPER ALLOY (t=0.2)
シールド ケース: 銅合金 (t=0.4)
SHIELD CASE: COPPER ALLOY (t=0.4)
- メッキ仕様
PLATING
ターミナル
TERMINAL
接点部: 金メッキ
CONTACT AREA: GOLD
半田付け部: 錫メッキ
SOLDER TAIL AREA: TIN
下部: ニッケルメッキ
UNDER PLATING: NICKEL
シールド ケース
SHIELD CASE
錫メッキ
TIN
下部: ニッケルメッキ
UNDER PLATING: NICKEL
- 本製品は 500075-0519 の鉛フリー品である。
THIS PRODUCT IS LEAD FREE OF 500075-0519.

500075-0517
TRAY PACKAGE
ORDER No.

REVISED EC NO: J2009-1533 DRW: SATO 2009/06/25 CHKD: MATSUMOTO 2009/06/25 APPR: NUKITA 2009/06/25	GENERAL TOLERANCES (UNLESS SPECIFIED)		DIMENSION STYLE MM ONLY		SCALE 10:1	DESIGN UNITS METRIC	THIRD ANGLE PROJECTION
	10 UNDER	±0.2	DRAWN BY H. KAWABATA	DATE 2004/03/30	TITLE MINI-B STRAIGHT TYPE 2 REC. ASS'Y -LEAD FREE-		
	10 OVER 30 UNDER	±0.25	CHECKED BY K. TOJO	DATE 2004/03/30	MOLEX INCORPORATED		
	30 OVER	±0.3	APPROVED BY M. SASAO	DATE 2004/03/30	DOCUMENT NO. SD-500075-007	SHEET NO. 1 OF 1	
REV A	DESCRIPTION	ANGULAR ±3 °	MATERIAL NO. SEE TABLE		THIS DRAWING CONTAINS INFORMATION THAT IS PROPRIETARY TO MOLEX INCORPORATED AND SHOULD NOT BE USED WITHOUT WRITTEN PERMISSION		
		DRAFT WHERE APPLICABLE MUST REMAIN WITHIN DIMENSIONS					