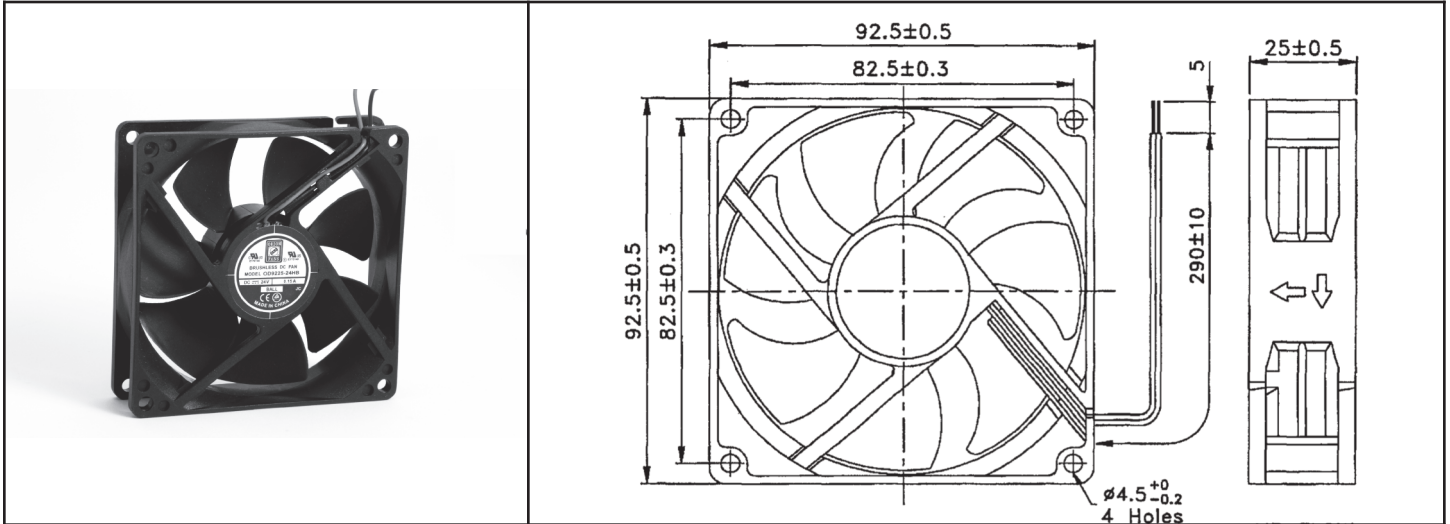


# OD9225 Series



DC Fan - 12, 24, 48V  
92x25 (3.62"x 1.00")



Frame & Impeller	PBT, UL94V-0 plastic	<b>Available Options:</b> Tachometer (FG) Alarm (RD) Thermal Control Sleeve Bearing 05V IP55 Life Expectancy (L10) Ball Bearing 60,000 hours (L10 at 40C)  <u>Operating Temperature</u> Ball Bearing -20C ~ +75C  Weight: ~0.22 lbs m1	
Connection	2x Lead wires		
Motor	Brushless DC, auto restart, polarity protected		
Bearing System	Dual Ball		
Insulation Resistance	10M ohm between leadwire and frame (500VDC)		
Dielectric Strength	1 minute at 500 VAC, max leakage < 500 MicroAmp		
Storage Temperature	-40C ~ +80C		

Model Number	Speed (RPM)	Airflow (CFM)	Noise (dB)	Volts DC	Voltage Range	Amps	Max. Static Pressure (\"H <sub>2</sub> O)
OD9225-12HHB	3300	60	40	12	10.8~13.2	0.29	0.17
OD9225-12HB	2900	53	35	12	10.8~13.2	0.24	0.13
OD9225-12MB	2400	44	31	12	10.8~13.2	0.15	0.09
OD9225-12LB	2100	39	28	12	10.8~13.2	0.10	0.07
OD9225-12LLB	1600	27	18	12	10.8~13.2	0.07	0.04
OD9225-24HB	2900	53	35	24	22.6~26.4	0.14	0.13
OD9225-24MB	2400	44	31	24	22.6~26.4	0.09	0.09
OD9225-24LB	2100	39	28	24	22.6~26.4	0.05	0.07
OD9225-48HB	2800	50	33	48	43.2~52.8	0.09	0.24