

HSB Fuses Rated 32V

Non-housed fuse strips for rated voltage up to 32 VDC. Current rating 30 A -175 A. Ring type lugs.

Specifications

| | |
|------------------------------|--|
| Voltage Rating: | 32 VDC |
| Interrupt Ratings: | 1000A |
| Operating Temperature Range: | -40° to 125°C |
| Material: | Zinc-alloy |
| Connections: | Zinc-alloy 2 x M6 bolts, distance 30 mm |
| Torque: | 4 Nm +/- 1 Nm |

RoHS

Ordering Information

| Part Number | Package Size |
|---------------|--------------|
| 156.5677.xxx1 | 100 |
| 156.5677.xxx2 | 10000 |

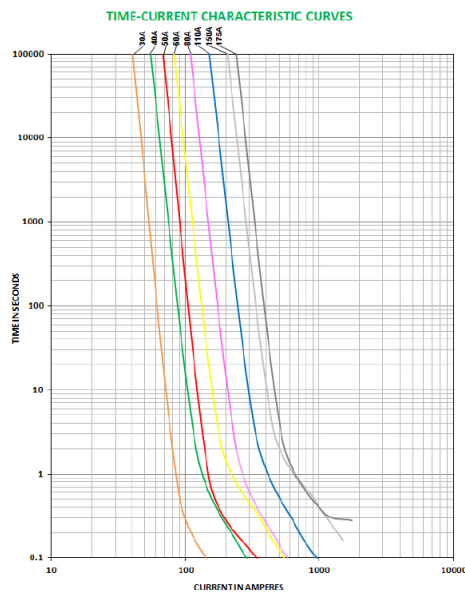
Time-Current Characteristics

| % of Rating | Opening Time Min / Max (s) |
|-------------|----------------------------|
| 100 | ∞ / - |
| 125 | 360,000 s / - |
| 300 | 0.100 s / 10 s |
| 600 | 0.020 s / 1 s |
| 1000 | 0.010 s / 0.300 s |

Ratings

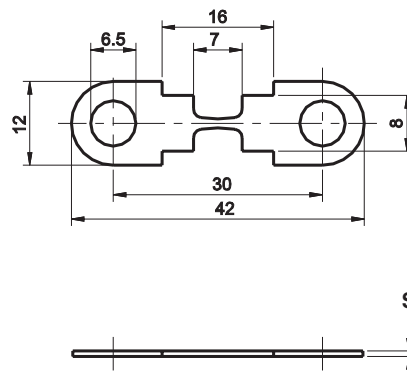
| Part Number | Current Rating (A) | Typ. Voltage Drop (mV) | Cold Resistance (mΩ) | I ² t (A ² s) | Material Thickness "S" (mm) |
|---------------|--------------------|------------------------|----------------------|-------------------------------------|-----------------------------|
| 156.5677.530_ | 30 | 44 | 1.33 | 3800 | 0.4 |
| 156.5677.540_ | 40 | 40 | 0.89 | 11200 | 0.4 |
| 156.5677.550_ | 50 | 44 | 0.72 | 21300 | 0.4 |
| 156.5677.560_ | 60 | 38 | 0.58 | 41400 | 0.4 |
| 156.5677.580_ | 80 | 40 | 0.43 | 44800 | 0.8 |
| 156.5677.611_ | 110 | 40 | 0.31 | 139000 | 0.8 |
| 156.5677.615_ | 150 | 52 | 0.23 | 465000 | 0.8 |
| 156.5677.617_ | 175 | 46 | 0.22 | 560000 | 0.8 |

Pre-Arcing Time-Limits



Dimensions

Dimensions in mm



FI = 1.00 (max. operating current:
1.0 x I_{rat} at 23°C)

Littelfuse products are not designed for, and shall not be used for, any purpose (including, without limitation, automotive, military, aerospace, medical, life-saving, life-sustaining or nuclear facility applications, devices intended for surgical implant into the body, or any other application in which the failure or lack of desired operation of the product may result in personal injury, death, or property damage) other than those expressly set forth in applicable Littelfuse product documentation. Warranties granted by Littelfuse shall be deemed void for products used for any purpose not expressly set forth in applicable Littelfuse documentation. Littelfuse shall not be liable for any claims or damages arising out of products used in applications not expressly intended by Littelfuse as set forth in applicable Littelfuse documentation. The sale and use of Littelfuse products is subject to Littelfuse Terms and Conditions of Sale, unless otherwise agreed by Littelfuse.