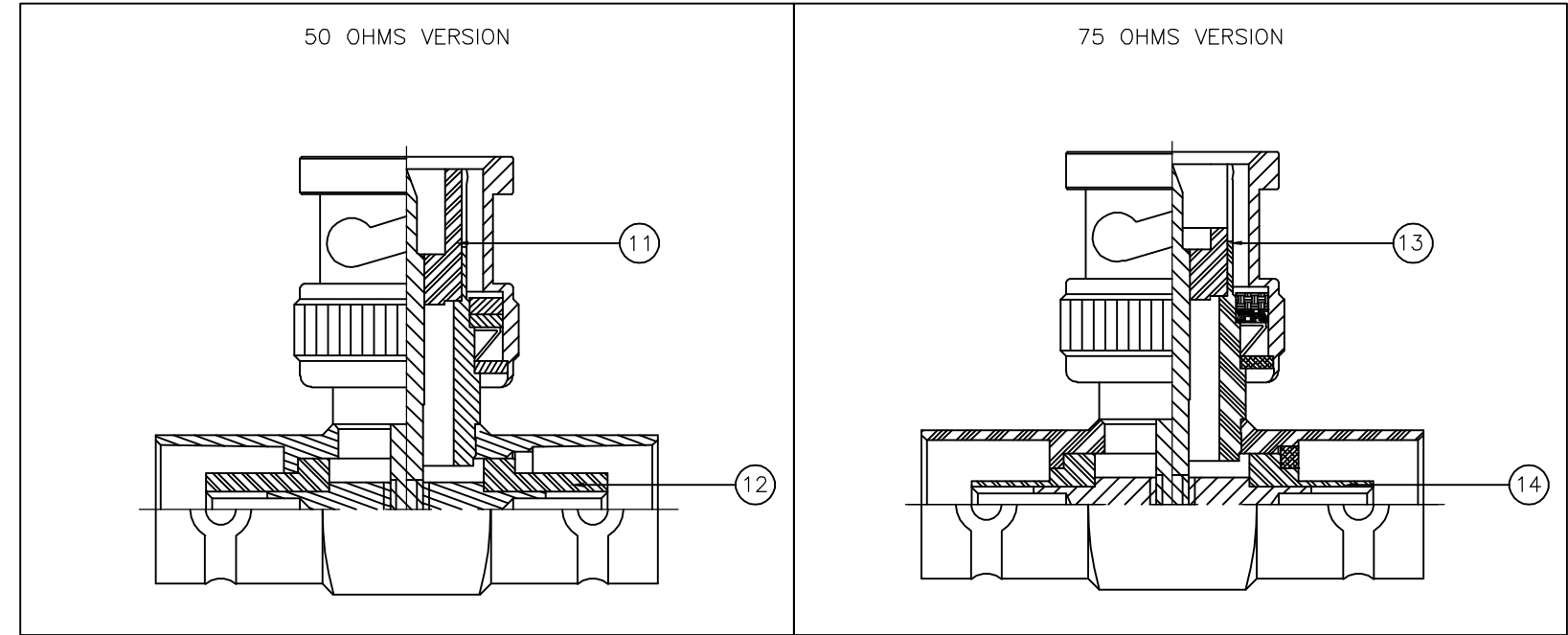
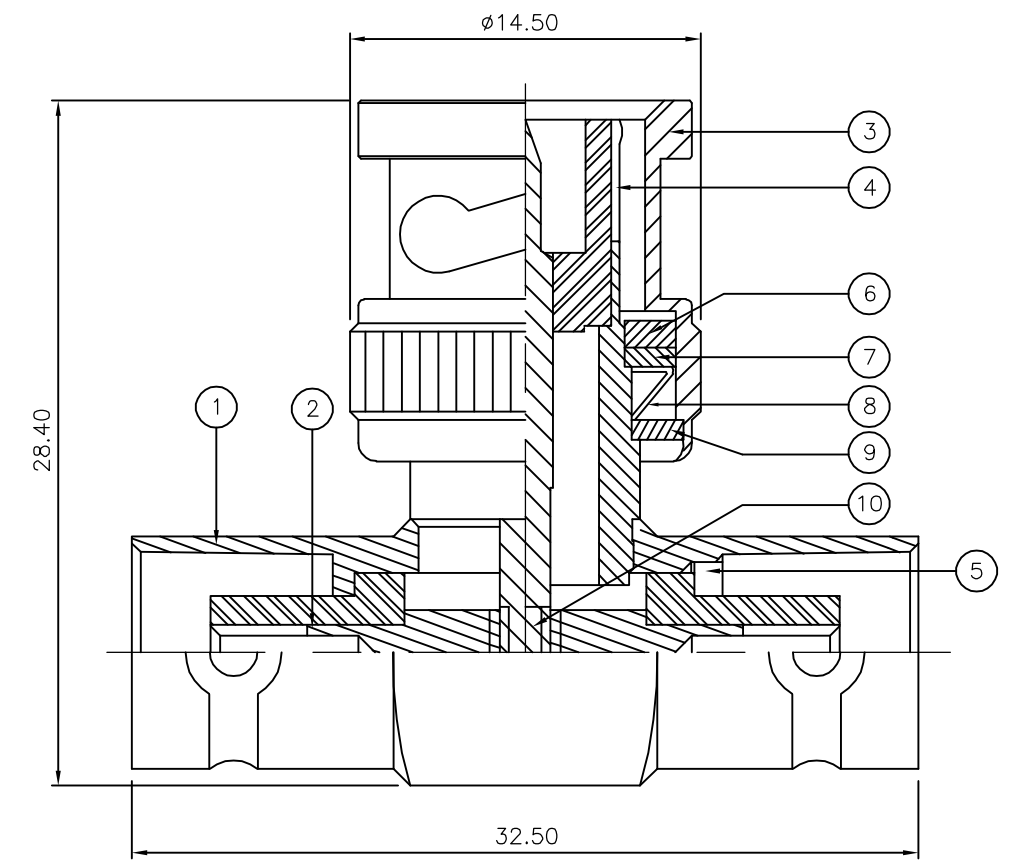


THIS DRAWING IS UNPUBLISHED. RELEASED FOR PUBLICATION DEC ,2005.
 © COPYRIGHT 2005 BY TYCO ELECTRONICS CORPORATION. ALL RIGHTS RESERVED.

LOC	DIST	REVISIONS			
P	LTR	DESCRIPTION	DATE	DWN	APVD
E	B				
	D	ECR-06-024212	12OCT2006	JMS	FWK

- NOTES:**
- 1 PACK IN ACCORDANCE WITH AMP SPEC 107-3275
 - 2 100 TRAY PACK IN ACCORDANCE WITH AMP SPEC 107-3275
 - 3 Au PLATING
 - 4 Ni PLATING
 - 5 THIS ITEM MUST BE WHITE
- 6 ELECTRICAL CHARACTERISTICS
- | | |
|-------------------------------|----------------------------|
| FREQUENCY RANGE (50 Ohms): | DC - 4 GHz |
| FREQUENCY RANGE (75 Ohms): | DC - 2 GHz |
| NOMINAL IMPEDANCE: | 50 Ohm or 75 Ohm |
| INSULATION RESISTANCE: | 5000 MOhm |
| WORKING VOLTAGE: | 500 Volts RMS at Sea Level |
| DIELECTRIC WITHSTAND VOLTAGE: | 1500 Volts RMS Max |
| CONTACT RESISTANCE: | |
| CENTRE CONTACT: | 1.50 mOhm Max |
| OUTER CONTACT: | 0.20 mOhm Max |
| VSWR @ xGHz: | N/A |
| INSERTION LOSS xdb: | N/A |
- 7 MECHANICAL CHARACTERISTICS
- | | |
|---------------------------|----------------|
| COUPLING RETENTION FORCE: | 445N Min |
| CABLE RETENTION FORCE: | N/A |
| DURABILITY: | 500 Cycles Min |
- 8 ENVIRONMENTAL CHARACTERISTICS
- | | |
|------------------------|------------------|
| OPERATING TEMPERATURE: | -65 to +165 DegC |
|------------------------|------------------|



QTY	QTY	QTY	QTY	MATERIAL	DESCRIPTION	ITEM
2	2	-	-	PTFE	INSULATION	14
1	1	-	-	PTFE	INSULATION	13
-	-	2	2	PTFE	INSULATION	12
-	-	1	1	PTFE	INSULATION	11
1	1	1	1	BRASS	CONTACT II	10
1	1	1	1	BRASS	WASHER	9
1	1	1	1	SPRING STEEL	SPRING	8
1	1	1	1	BRASS	RETAINING RING	7
1	1	1	1	SILICON RUBBER	GASKET	6
1	1	1	1	BRASS	SLEEVE	5
1	1	1	1	BRASS	BODY 2	4
1	1	1	1	BRASS	SHELL	3
1	1	1	1	BRASS	CONTACT I	2
1	1	1	1	BRASS	BODY 1	1
6--1	1--1	6--0	1--0			
				MATERIAL	DESCRIPTION	ITEM
				QUANTITY PER ASSY	PARTS LIST	

THIS DRAWING IS A CONTROLLED DOCUMENT.		DWN	J.SANDWELL	14DEC05	 Tyco Electronics Corporation Bideford EX39 4HE													
DIMENSIONS: mm		CHK	S.PARLOW	14DEC05														
TOLERANCES UNLESS OTHERWISE SPECIFIED:		APVD	F.WHEELER-KING	14DEC05														
<table border="0"> <tr><td>0 PLC</td><td>± -</td></tr> <tr><td>1 PLC</td><td>± -</td></tr> <tr><td>2 PLC</td><td>± -</td></tr> <tr><td>3 PLC</td><td>± -</td></tr> <tr><td>4 PLC</td><td>± -</td></tr> <tr><td>ANGLES</td><td>± -</td></tr> <tr><td>FINISH</td><td>-</td></tr> </table>		0 PLC	± -	1 PLC		± -	2 PLC	± -	3 PLC	± -	4 PLC	± -	ANGLES	± -	FINISH	-	PRODUCT SPEC	-
0 PLC	± -																	
1 PLC	± -																	
2 PLC	± -																	
3 PLC	± -																	
4 PLC	± -																	
ANGLES	± -																	
FINISH	-																	
MATERIAL SEE TABLE		APPLICATION SPEC	-		NAME	BNC TEE ADAPTOR J-P-J 50 OHM AND 75 OHM VERSIONS												
		WEIGHT	-		SIZE	A3												
		CUSTOMER DRAWING		SCALE	CAGE CODE	00779												
				RESTRICTED TO	DRAWING NO	C-1337458												
				SCALE	SHEET	1 OF 1												
				REV		D												