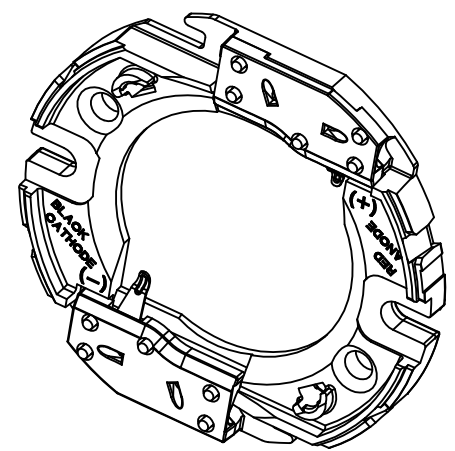
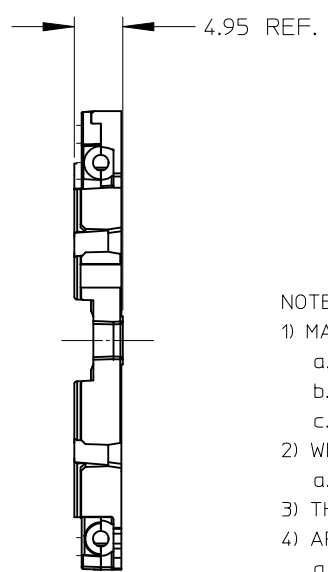
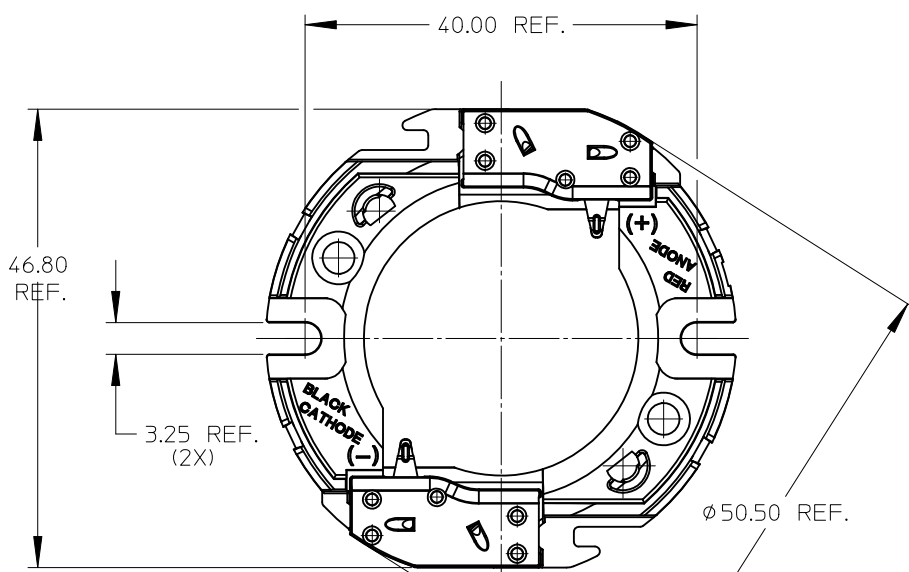
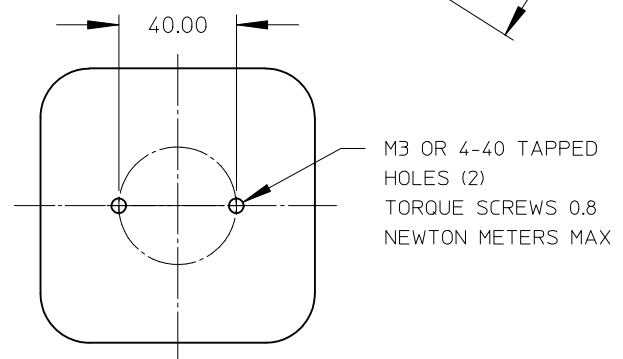


PART NUMBER	DESCRIPTION	SEE SHEET
180190-0000	HOLDER WITHOUT LENS	3
180190-0001	HOLDER WITH LENS	3
180192-0000	COVER LENS ONLY	3



NOTES:

- 1) MATERIALS:
  - a. CAPS: NATURAL COLOR PA66 NYLON 25% GF UL94V-0
  - b. HOUSING: NATURAL COLOR PA66 NYLON 25% GF UL94V-0
  - c. COVER LENS: CLEAR POLYCARBONATE UL94HB
- 2) WIRE TRAP TERMINALS: COPPER ALLOY
  - a. FINISH: GOLD OVER NICKEL
- 3) THIS PRODUCT IS ELV AND ROHS COMPLIANT
- 4) APPLICABLE WIRE GAUGE - 18 OR 20 AWG
  - a. SOLID WIRE IS RECOMMENDED
  - b. IF STRANDED WIRE IS USED, PRE-TINNED IS RECOMMENDED
  - c. 1 cm STRIP LENGTH IS RECOMMENDED
- 5) MOUNT HOLDER USING M3 OR 4-40 SCREWS (2), 0.8 NEWTON METERS MAX TORQUE
- 6) UL RECOGNIZED TO UL496
  - c-UL RECOGNIZED TO CSA-C22.2 NO. 43 (2008)
  - RATED 600V
  - UL FILE NUMBER: E345583, UL-OLFB2

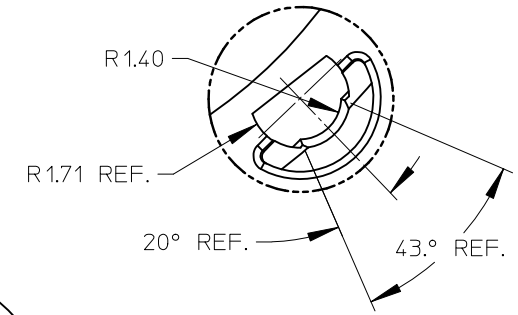
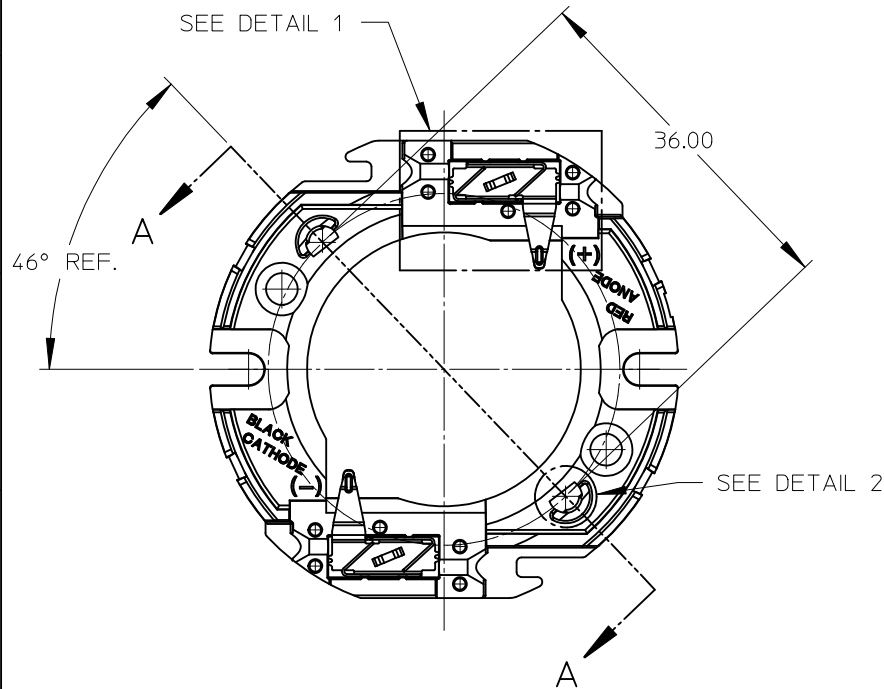


RECOMMENDED MOUNTING DIMENSIONS (NTS)

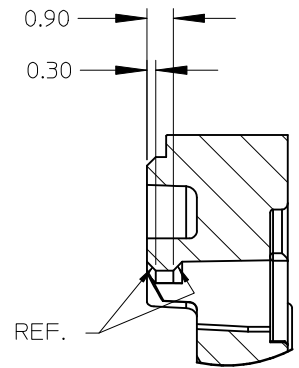
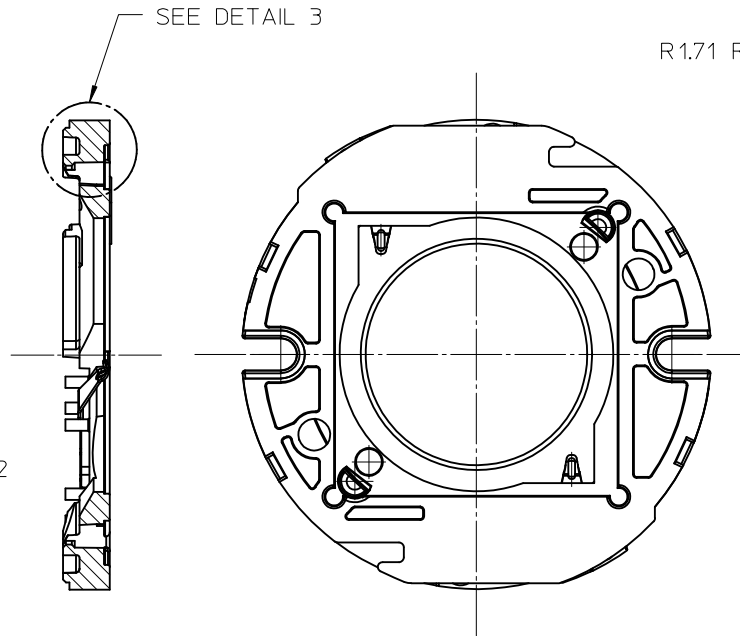
<b>ENTER DESCRIPTION</b> EC NO: SSL2012-0008 DRW/INF: JAKLIC 2011/08/02 CHKD: APPR: DMCGOWAN 2011/08/05	<b>QUALITY SYMBOLS</b> 	<b>GENERAL TOLERANCES (UNLESS SPECIFIED)</b>		<b>DIMENSION STYLE</b> <b>MM ONLY</b>	<b>SCALE</b> 2:1	<b>DESIGN UNITS</b> METRIC	<b>THIRD ANGLE PROJECTION</b>
		4 PLACES ± --- ± --- 3 PLACES ± --- ± --- 2 PLACES ± 0.13 ± --- 1 PLACE ± 0.25 ± ---	mm INCH DRAWN BY: FJAKLIC DATE: 2011/01/28 CHECKED BY:	<b>TITLE</b> CITIZEN L-340 LED HOLDER			
		ANGULAR ± 1/2°	APPROVED BY: DMCGOWAN DATE: 2011/02/18 MATERIAL NO.	<b>MOLEX INCORPORATED</b>			
		DRAFT WHERE APPLICABLE MUST REMAIN WITHIN DIMENSIONS	<b>SEE CHART</b>	DOCUMENT NO. SD-180190-001	SHEET NO. 1 OF 3		

10 9 8 7 6 5 4 3 2 1

WIRE TRAP CAPS ARE REMOVED FROM FRONT VIEW FOR CLARITY

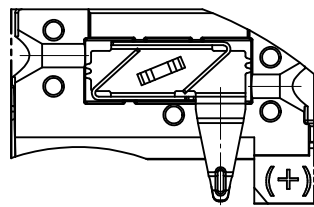


DETAIL 2 SCALE 6:1



LENS TO HOLDER SNAP FIT DETAIL

DETAIL 3 SCALE 6:1



VIEW OF TWO-WAY WIRE TRAP

WIRE TRAPS WILL ACCOMODATE  
EITHER 18 OR 20 GAUGE WIRE

DETAIL 1 SCALE 3:1

<b>ENTER DESCRIPTION</b> EC NO: SSL2012-0008 DRAWN: JAKLIC 2011/08/02 CHKD: JAKLIC APPR: DMCGOWAN 2011/08/05 REV 1	<b>QUALITY SYMBOLS</b> ▽=0 ▽=0 ▽=0	<b>GENERAL TOLERANCES (UNLESS SPECIFIED)</b>		<b>DIMENSION STYLE</b> MM ONLY		SCALE 2:1	DESIGN UNITS METRIC	THIRD ANGLE PROJECTION		
		4 PLACES	± ---	± ---	DRAWN BY	DATE	CITIZEN L-340 LED HOLDER			
		3 PLACES	± ---	± ---	FJAKLIC	2011/01/28				
		2 PLACES	± 0.13	± ---	CHECKED BY	DATE	MOLEX INCORPORATED			
1 PLACE	± 0.25	± ---	DMCGOWAN	2011/02/18						
ANGULAR ±1/2°		DRAFT WHERE APPLICABLE MUST REMAIN WITHIN DIMENSIONS		APPROVED BY MATERIAL NO.		DATE 2011/02/18	DOCUMENT NO. SD-180190-001		SHEET NO. 2 OF 3	
				SEE CHART		THIS DRAWING CONTAINS INFORMATION THAT IS PROPRIETARY TO MOLEX INCORPORATED AND SHOULD NOT BE USED WITHOUT WRITTEN PERMISSION				

9 8 7 6 5 4 3 2 1

10 9 8 7 6 5 4 3 2 1

F

E

D

C

B

A

F

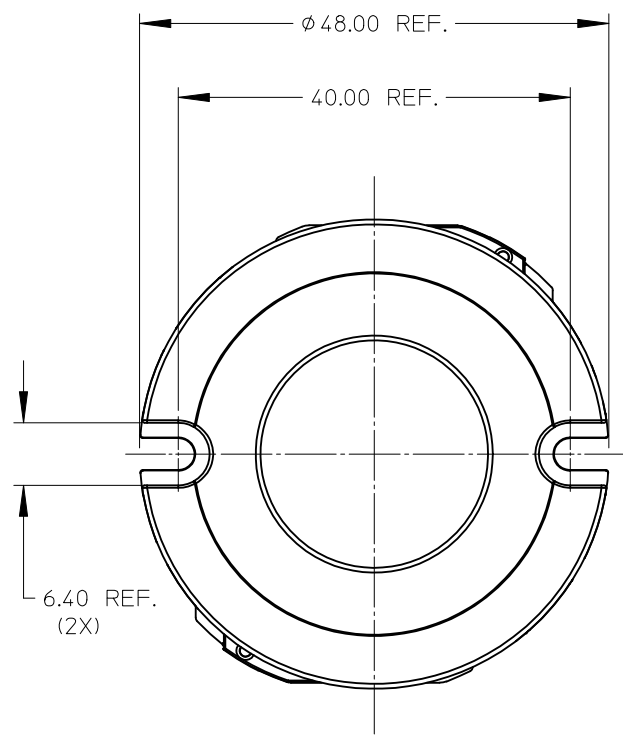
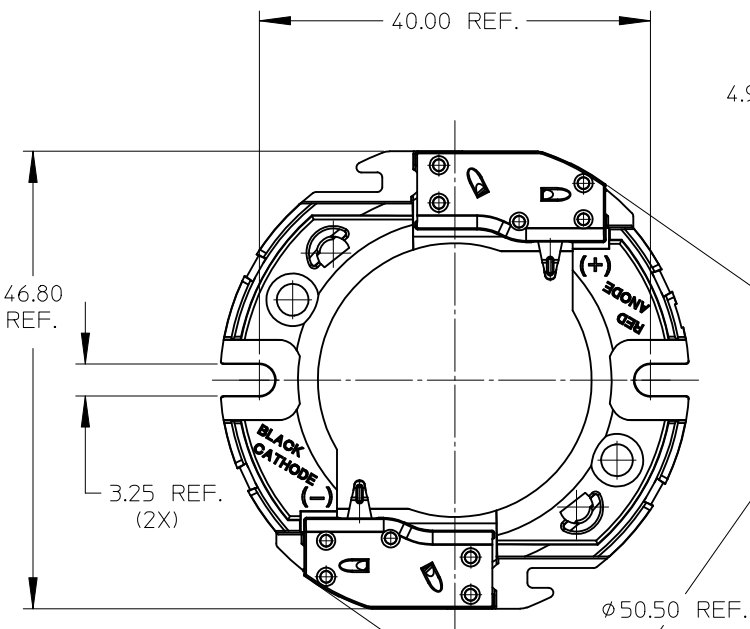
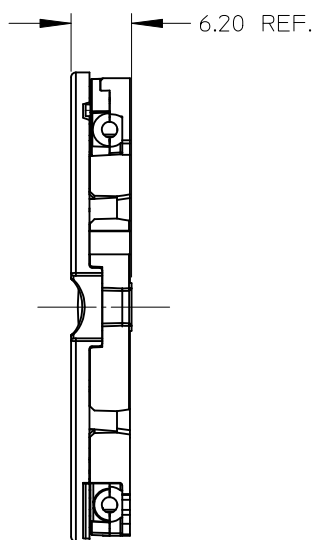
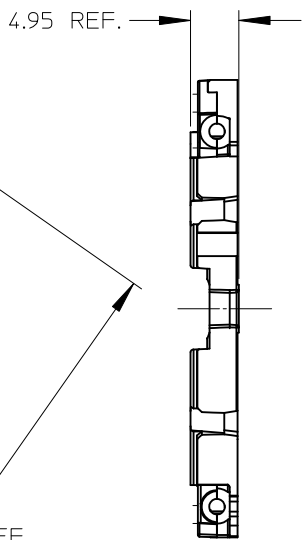
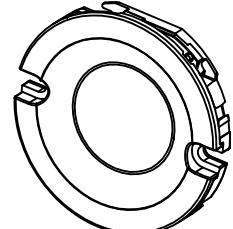
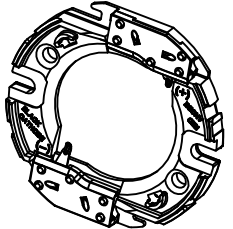
E

D

C

B

A



LED HOLDER PART NUMBER 180190-0000

LED HOLDER SHOWN WITH OPTIONAL CLEAR COVER LENS  
MOLEX INDIVIDUAL COVER LENS PART NUMBER IS 180192-0000

<b>ENTER DESCRIPTION</b> EC NO: SSL2012-0008 DRAWN: JAKLIC 2011/08/02 CHKD: APPR: DMCGOWAN 2011/08/05 REV	QUALITY SYMBOLS ▽/0 ▽/0 ▽/0	GENERAL TOLERANCES (UNLESS SPECIFIED) mm INCH 4 PLACES ± --- ± --- 3 PLACES ± --- ± --- 2 PLACES ± 0.13 ± --- 1 PLACE ± 0.25 ± --- ANGULAR ± 1/2°	DIMENSION STYLE <b>MM ONLY</b> DRAWN BY DATE FJAKLIC 2011/01/28 CHECKED BY DATE	SCALE <b>2:1</b> TITLE CITIZEN L-340 LED HOLDER	DESIGN UNITS <b>METRIC</b> THIRD ANGLE PROJECTION	
	DRAFT WHERE APPLICABLE MUST REMAIN WITHIN DIMENSIONS		APPROVED BY DATE DMCGOWAN 2011/02/18	Molex <b>MOLEX INCORPORATED</b>	SHEET NO. 3 OF 3	
	MATERIAL NO.		SEE CHART	DOCUMENT NO. SD-180190-001	THIS DRAWING CONTAINS INFORMATION THAT IS PROPRIETARY TO MOLEX INCORPORATED AND SHOULD NOT BE USED WITHOUT WRITTEN PERMISSION	
	SIZE B					

9 8 7 6 5 4 3 2 1