

D

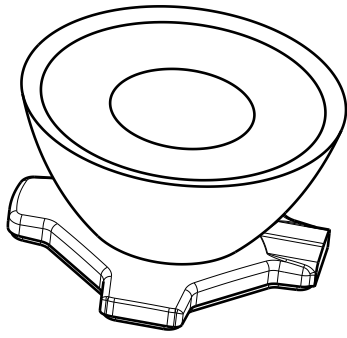
C

B

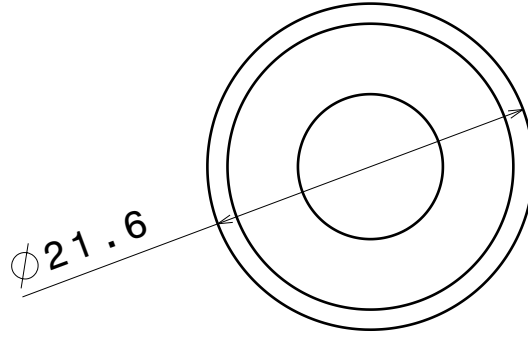
A

4

4



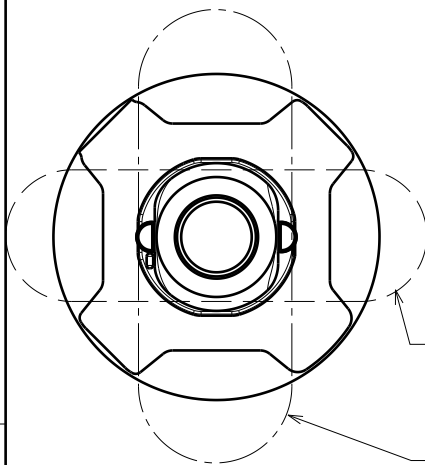
Isometric view



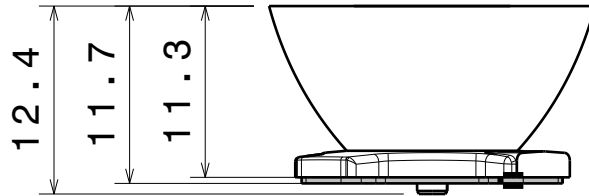
Top view

3

3



Bottom view
OVAL BEAM direction



Front view

Heidi-0

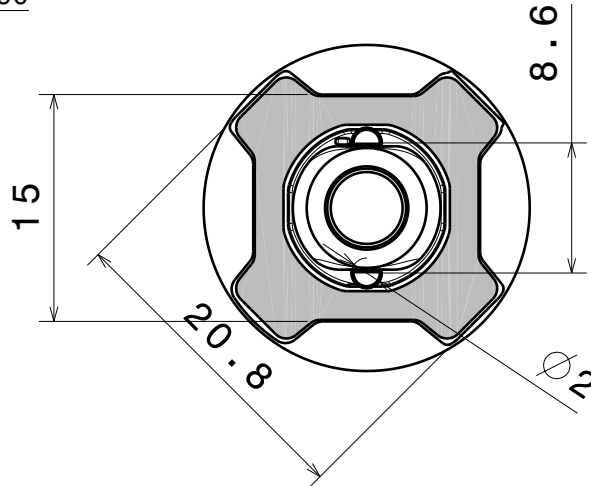
Heidi-0-90

2

2

Material:
Lens PMMA
Tape PU Foam

Part no.s:
CA11264_Heidi-D
CA11265_Heidi-M
CA11266_Heidi-0
CA11267_Heidi-0-90



Bottom view

This drawing is our property.
It can't be reproduced
or communicated without
our written agreement.



L
T
F
F

e
e
i
i
N
n

d

h

DRAWING TITLE

Datasheet Heidi-Series Assy

1

1

DRAWN BY o	DATE 12.01.2010
CHECKED BY o	DATE 12.01.2010
DESIGNED BY hh	DATE 12.01.2010

SIZE A4	DRAWING NUMBER	REV 1
SCALE 2:1	WEIGHT (g)	SHEET 1/1

D

A