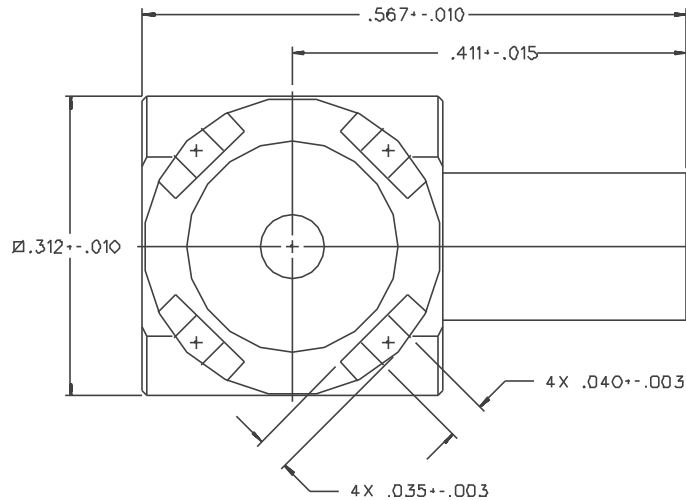
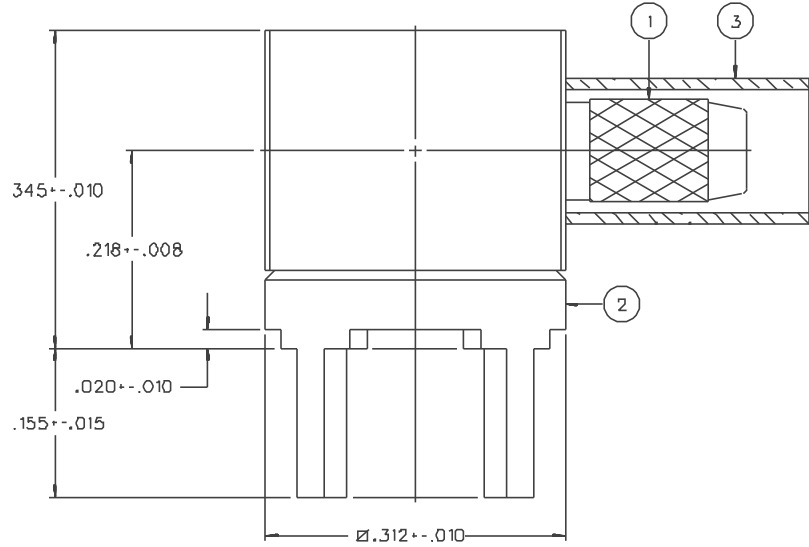


PART NUMBER	ITEM ① BODY	ITEM ② BASE	ITEM ③ CRIMP SLEEVE
142-0003-301	BRASS GOLD PL .00001 MIN OVER NICKEL PL .00005 MIN OVER COPPER PL .00005 MIN	BRASS GOLD PL .00001 MIN OVER NICKEL PL .00005 MIN OVER COPPER PL .00005 MIN	COPPER GOLD PL .00001 MIN OVER NICKEL PL .00005 MIN OVER COPPER PL .00005 MIN
142-0003-306	BRASS NICKEL PL .0001 MIN OVER COPPER PL .00005 MIN	BRASS NICKEL PL .0001 MIN OVER COPPER PL .00005 MIN	COPPER NICKEL PL .0001 MIN OVER COPPER PL .00005 MIN
142-0003-307	BRASS NICKEL PL .0001 MIN OVER COPPER PL .00005 MIN	BRASS NICKEL PL .0001 MIN OVER COPPER PL .00005 MIN Δ	COPPER NICKEL PL .0001 MIN OVER COPPER PL .00005 MIN

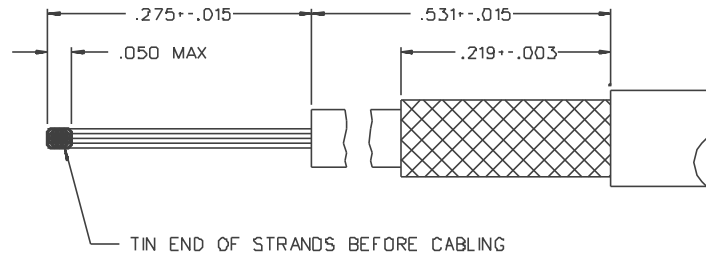


NOTES:

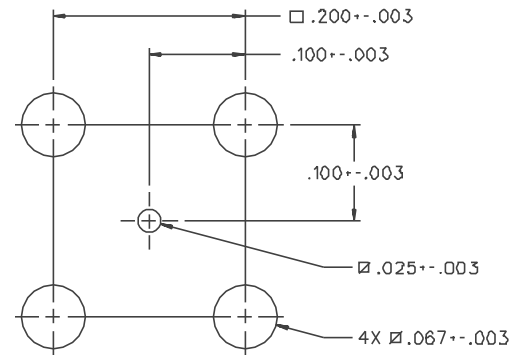
1. SPECIFICATIONS:

CABLE ACCEPTABILITY: RG 188/U, RG 316/U, RG 161/U
 RG 174/U, RG 179/U, RG 187/U
 CABLE HEX CRIMP SIZE: .125
 CABLE RETENTION: 20 LBS MIN OR CABLE BREAKING STRENGTH

Δ CONNECTOR MOUNTING LEADS 60/40 TIN/LEAD DIPPED (SOLDER PLATE).



CABLE STRIP DIMENSIONS



MOUNTING HOLE LAYOUT

DRAWING NO. C - 142-0003-301/310			
0 REVISIONS			
CHANGED: REVISED AND REDRAWN. WAS "D" SIZE, DATED 10-3-86.			
03	04-12-88	EJ	RRFR/RJB 5-19-88 ECO 23408
ADDED: P/N 142-0003-307, NOTE 2			
4	7-16-92	RH	ECO 41140

CUSTOMER DRAWING

THIS DRAWING TO BE INTERPRETED
 PER ANSI Y 14.5M - 1982

"μSTATION"

COMPANY CONFIDENTIAL

TOLERANCE UNLESS OTHERWISE SPECIFIED	DRAWN BY EJ	DATE 4-12-88	Johnson Components 299 Johnson Ave. P.O. Box 1732 Waseca, MN 56093-0832	
DECIMALS .XX	CHECKED BY	DATE	TITLE CABLE TERMINATION, RA PC MOUNT RG 316	
.XXX	APPROVED BY RRF	DATE 5-16-88	CODE NO.	DRAWING NO. C - 142-0003-301/310
MATL	APPROVED BY RJB	DATE 5-16-88	SCALE 10:1	U/M INCH
FINISH	RELEASE DATE (12-1-86) 5-19-88			SHEET 2 OF 2