



**Mallory Sonalert Products, Inc.**

Part #: **JT028-R-CD**

**Sales Outline Drawing**

Revision: **B**

**Specifications:**

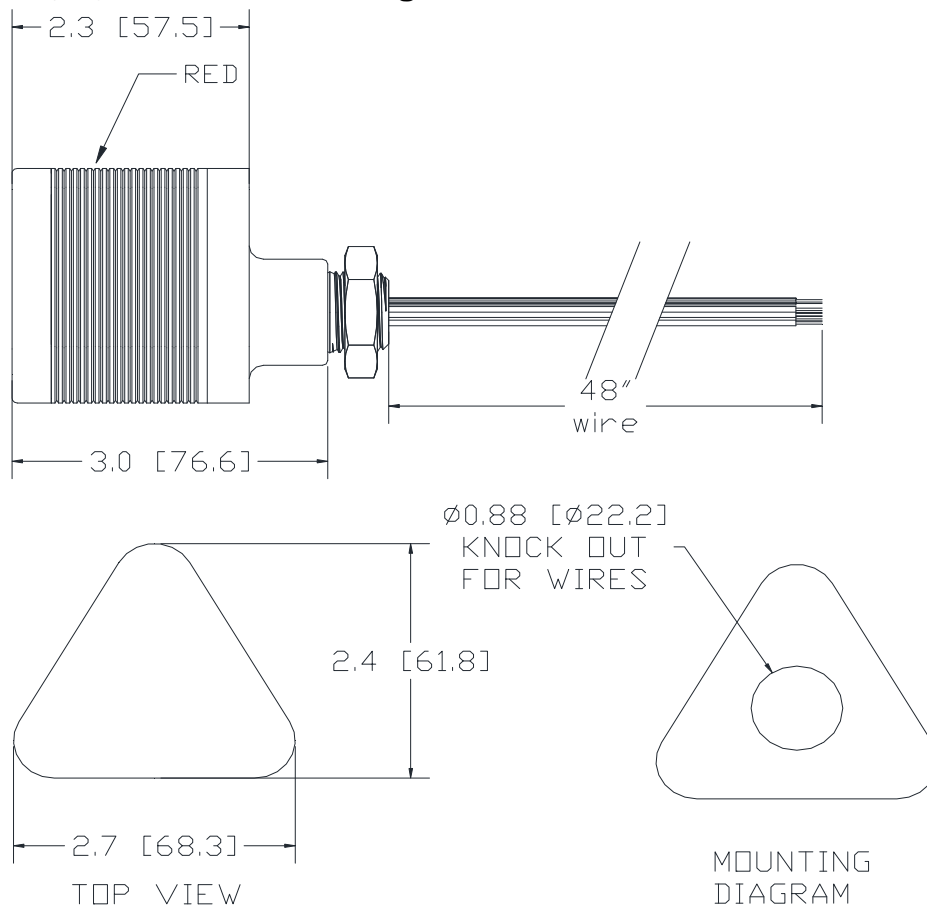
Stack Number:	1			
LED Color:	RED			
Connection Wires:	Red and Brown			
LED Current Draw:	<50mA			
Rated Voltage:		24 VAC/DC		
Operating Voltage:		20-28 VAC/DC		
Total Max Current:		<50mA		
Operating Temperature:		-25° ~ +60°C		
Lens Color:		Opaque White		
Material:		ABS FR15U		
Mounting Method:		Direct Mount using 1/2" NPT Stainless Steel Pipe and Nut		
Weight Typical (g):		160		
NEMA 12:		Approved		
Options:		Please contact factory.		

**Dimensions:**

Inches (mm)

**cUL Recognized**

**ROHS Compliant**



**LED OPERATION:** CONNECT STACK COLOR WIRE TO POWER AND BROWN WIRE TO POWER.