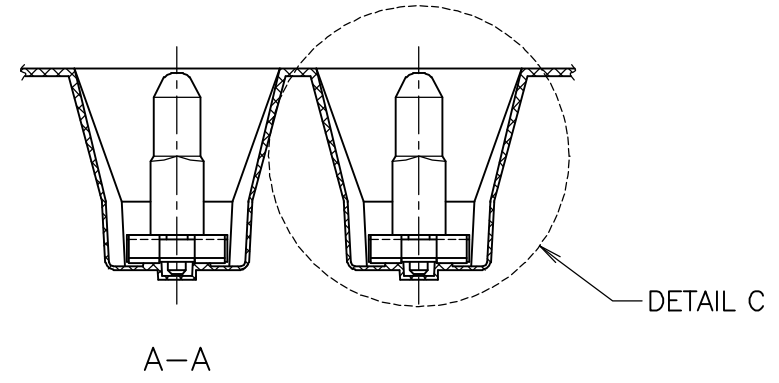
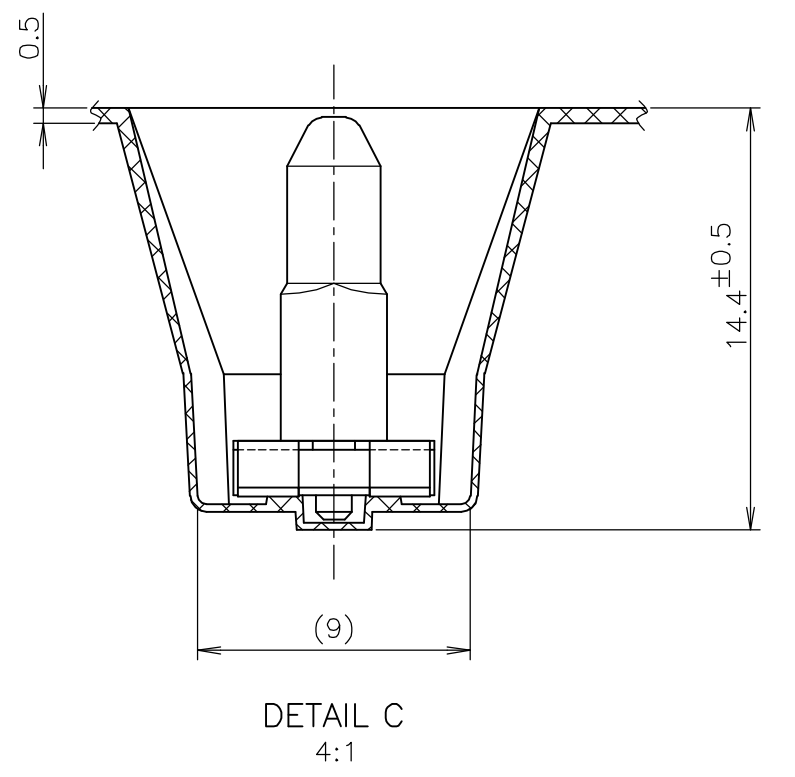
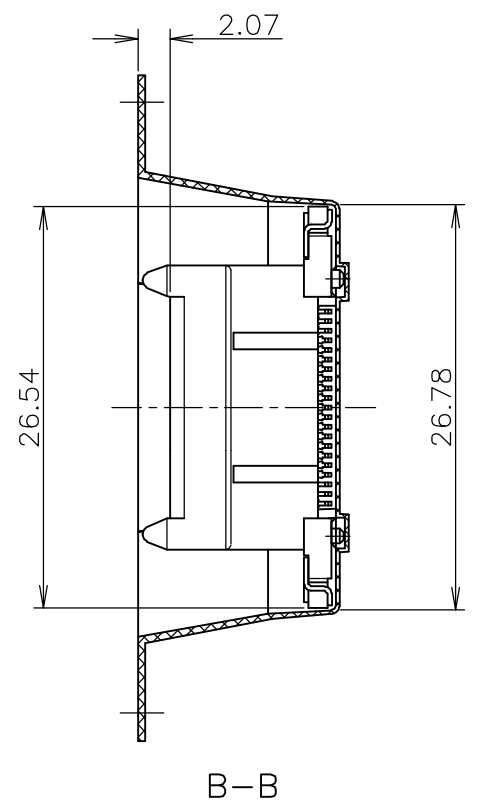
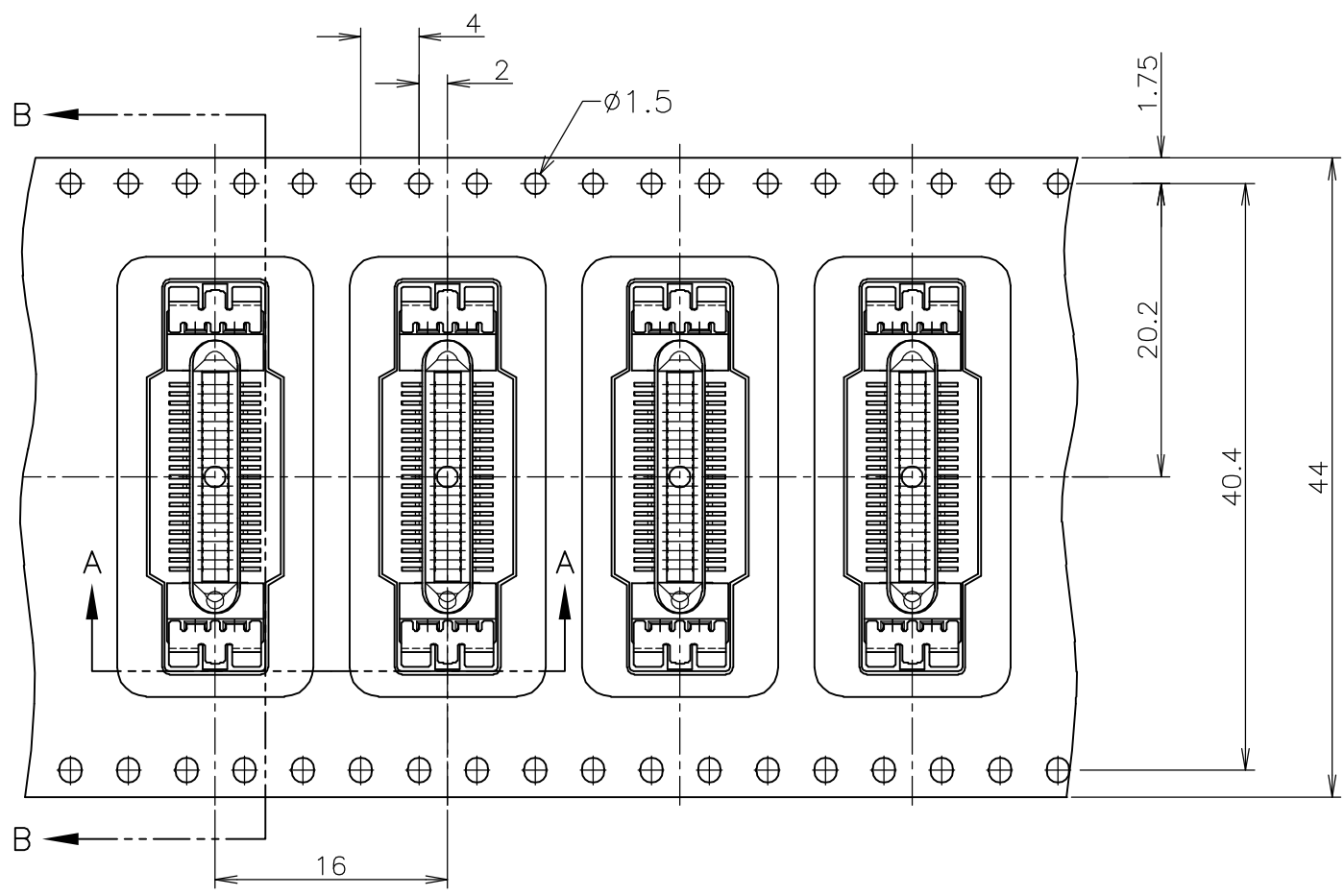


THIS DRAWING IS UNPUBLISHED. RELEASED FOR PUBLICATION
 © COPYRIGHT BY TYCO ELECTRONICS CORPORATION. ALL RIGHTS RESERVED.

LOC	DIST	REVISIONS			DATE	DWN	APVD
		P	LTR	DESCRIPTION			
J		D	REVISED	ECR-06-005348	07MAR06	Y.W	Y.Y

リール引き出し方向
 DIRECTION OFF TOP OF REEL



250	623243-1	1903277-1	1903291-1
QTY	EMBOSS P/N	CONNECTOR P/N	P/N

THIS DRAWING IS A CONTROLLED DOCUMENT.		DWN Y.WATANABE 24NOV05	Tyco Electronics AMP K.K. Kawasaki, Japan	
DIMENSIONS: 単位: 耗 mm		CHK T.FUTATSUGI 24NOV05		
TOLERANCES UNLESS OTHERWISE SPECIFIED: 一般公差		APVD Y.YAMAMOTO 24NOV05	NAME 名称 EMBOSS ASSY	
0 PLC ±		PRODUCT SPEC 製品規格 108-78235	0.635mm PITCH BAY CONNECTOR PLUG WITH BOSS	
1 PLC ±		APPLICATION SPEC 取付適用規格	SIZE A3	CAGE CODE 00779
2 PLC ±		WEIGHT	DRAWING NO 番号 C-1903291	
3 PLC ±		FINISH 仕上	RESTRICTED TO	
4 PLC ±			SCALE 尺度 2:1	
ANGLES ±		SHEET 1 OF 4		
MATERIAL 材料		REV D		
1.		CUSTOMER DRAWING		

THIS DRAWING IS UNPUBLISHED. RELEASED FOR PUBLICATION
 © COPYRIGHT BY TYCO ELECTRONICS CORPORATION. ALL RIGHTS RESERVED.

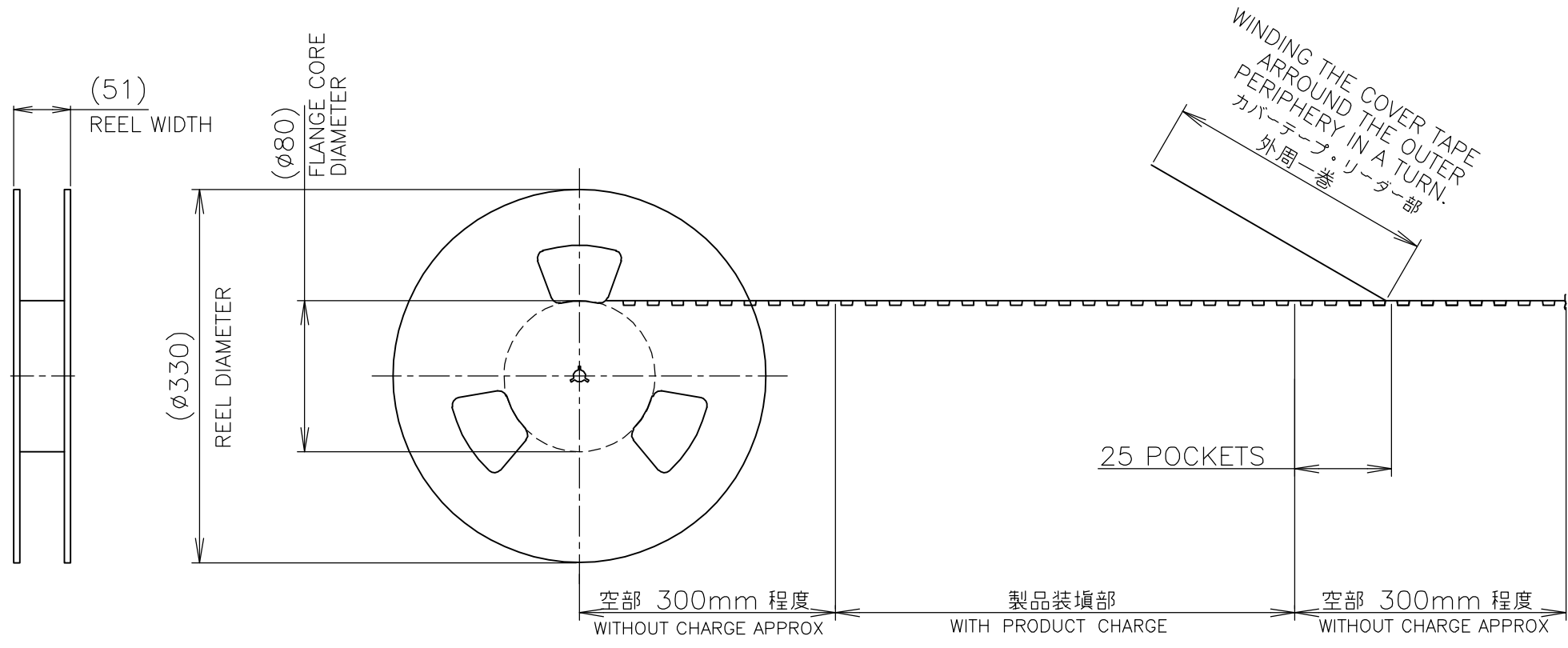
LOC	DIST	REVISIONS 変更					
J		P	LTR	DESCRIPTION	DATE	DWN	APVD
		-		SEE SHEET 1	-	-	-

注記

- 材料：
エンボステープ：PS
カバーテープ：PET
- コネクタ寸法及び推奨基板取り付け寸法は、コネクタ単体の図面を参照下さい。
- 一般公差：±0.3、±3°

NOTE

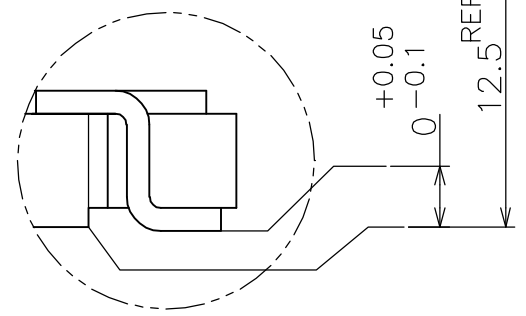
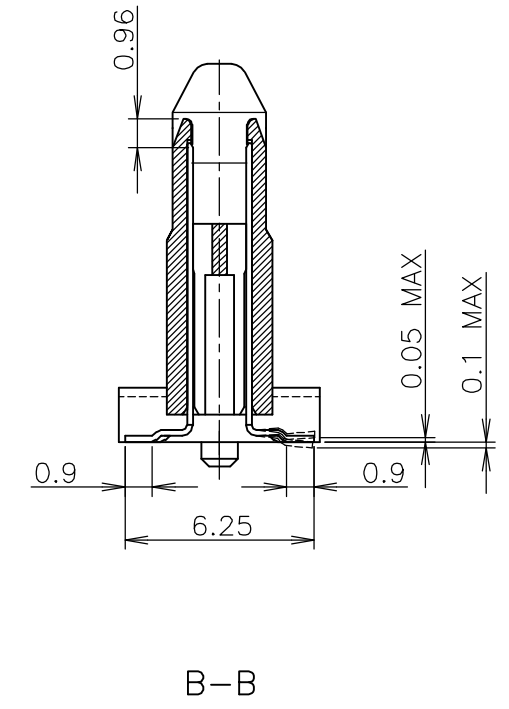
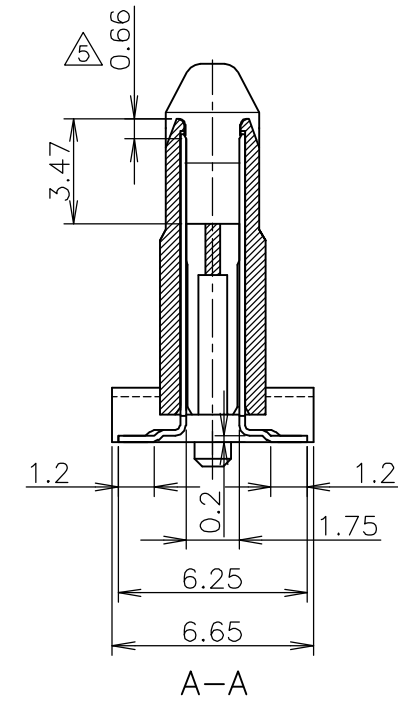
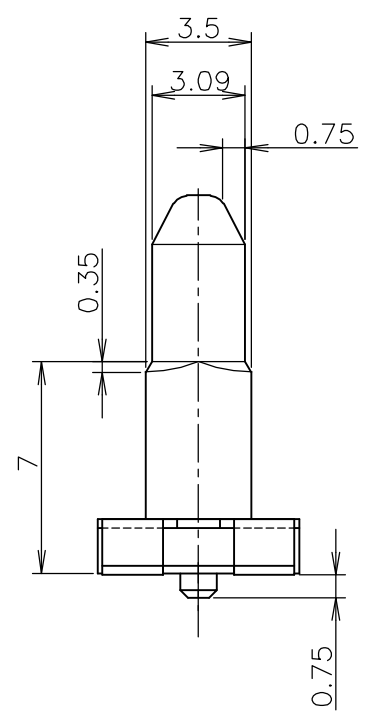
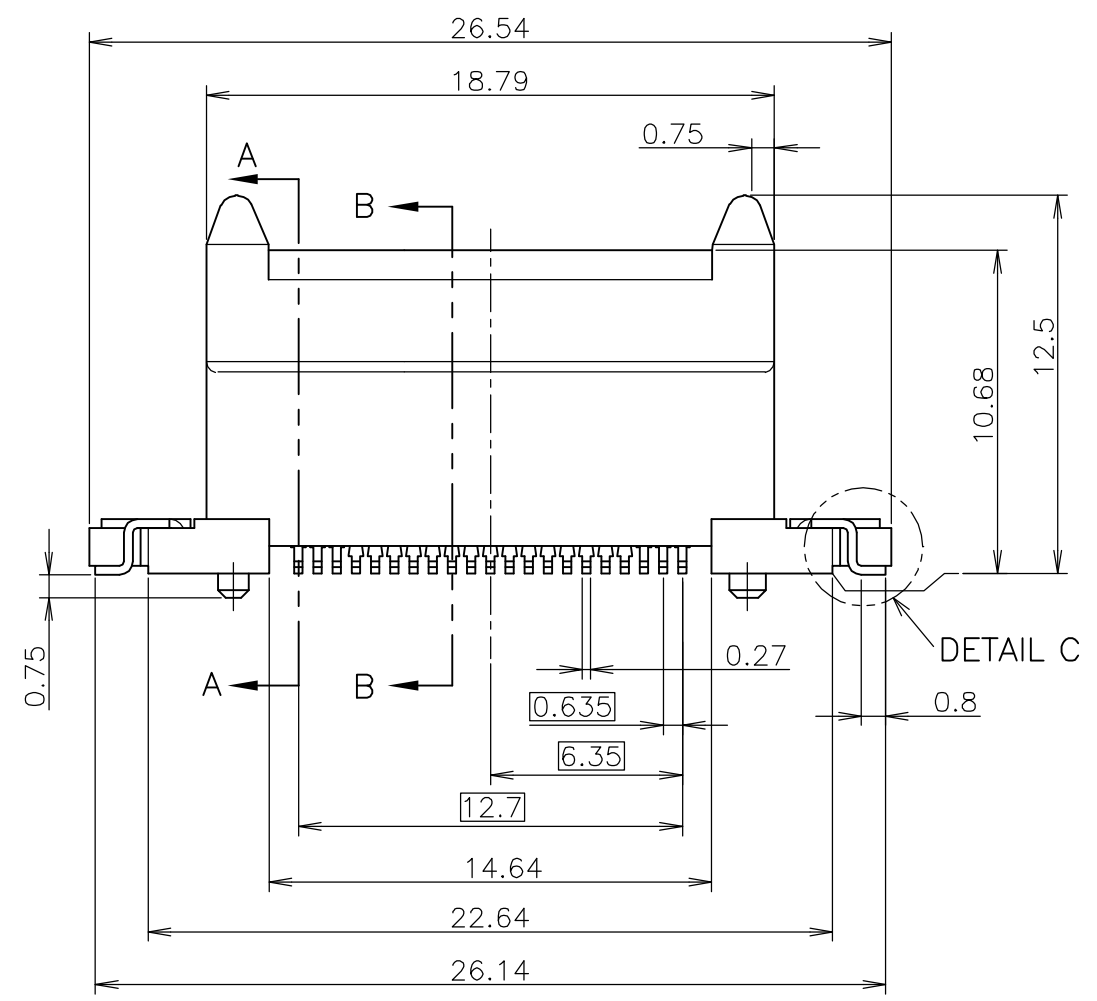
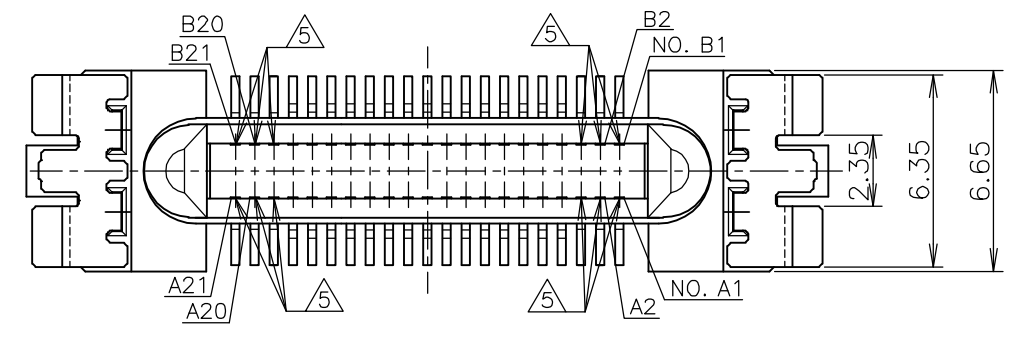
- MATERIAL :
EMBOSS TAPE : PS
COVER TAPE : PET
- DIMENSION OF CONNECTOR AND RECOMMENDED P.C.BOARD LAYOUT : SEE CONNECTOR DRAWING.
- GENERAL TOLERANCE: ±0.3 , ±3°



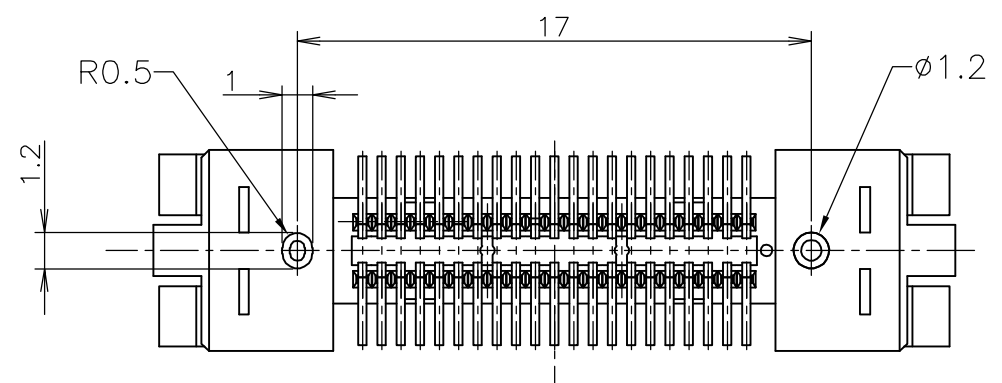
THIS DRAWING IS A CONTROLLED DOCUMENT.		DWN	tyco Tyco Electronics AMP K.K.	
DIMENSIONS: 単位： 耗 mm		CHK	Kawasaki, Japan	
TOLERANCES UNLESS OTHERWISE SPECIFIED: 一般公差		APVD	NAME 名称	
0 PLC ±		PRODUCT SPEC 製品規格	EMBOSS ASSY	
1 PLC ±		APPLICATION SPEC 取付適用規格	0.635mm PITCH BAY CONNECTOR PLUG	
2 PLC ±		WEIGHT	SIZE	CAGE CODE
3 PLC ±		CUSTOMER DRAWING	A3	00779
4 PLC ±			DRAWING NO 番号	G-1903291
ANGLES ±		SCALE 尺度	SHEET	REV
FINISH 仕上		NTS	2 OF 4	D
MATERIAL 材料		RESTRICTED TO		

THIS DRAWING IS UNPUBLISHED. RELEASED FOR PUBLICATION
 © COPYRIGHT BY TYCO ELECTRONICS CORPORATION. ALL RIGHTS RESERVED.

LOC	DIST	REVISIONS					
J		P	LTR	DESCRIPTION	DATE	DWN	APVD
		-		SEE SHEET 1	-	-	-



DETAIL C
10:1

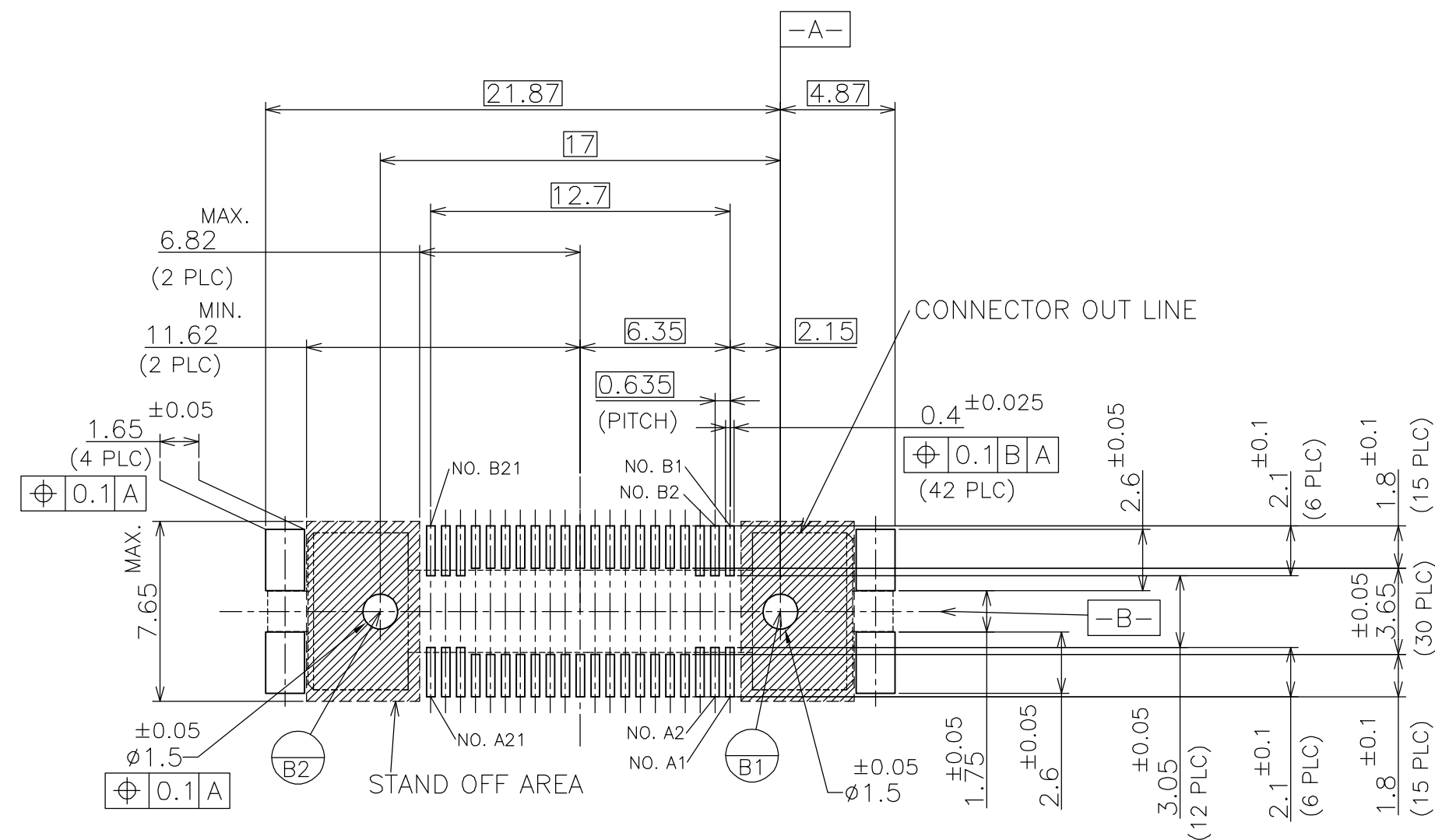


1903277-1 : AS SHOWN
(REFERENCE)

THIS DRAWING IS A CONTROLLED DOCUMENT.		DWN	Tyco Electronics AMP K.K. Kawasaki, Japan	
DIMENSIONS: 単位: 耗 mm		CHK		
TOLERANCES UNLESS OTHERWISE SPECIFIED: 一般公差		APVD	NAME 名称	
0 PLC ± 1 PLC ± 2 PLC ± 3 PLC ± 4 PLC ± ANGLES ±		PRODUCT SPEC 製品規格	EMBOSS ASSY 0.635mm PITCH BAY CONNECTOR PLUG WITH BOSS	
MATERIAL 材料		APPLICATION SPEC 取付適用規格	SIZE	CAGE CODE
FINISH 仕上		WEIGHT	A3	00779
4		DRAWING NO 番号		RESTRICTED TO
4		C-1903291		
CUSTOMER DRAWING		SCALE 尺度	SHEET	REV
		4:1	3 OF 4	D

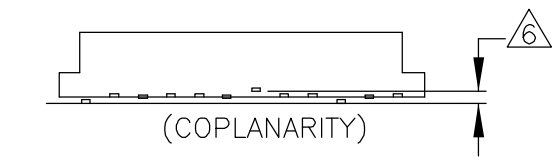
THIS DRAWING IS UNPUBLISHED. RELEASED FOR PUBLICATION
 © COPYRIGHT BY TYCO ELECTRONICS CORPORATION. ALL RIGHTS RESERVED.

LOC	DIST	REVISIONS 変更			
P	LTR	DESCRIPTION	DATE	DWN	APVD
J		SEE SHEET 1	-	-	-



RECOMMENDED P.C.BOARD LAYOUT
(REFERENCE)

- △ 材質:
 ハウジング ; 熱可塑性樹脂 (UL94V-0, 黒色)
 コンタクト ; 銅合金
 仕上げ ; 全面 ニッケル下地めっき
 接点部 金めっき
 半田付け部 すずめっき
 ソルダーペグ ; 銅合金
 仕上げ ; 全面すずめっき
- △ シーケンシャルピン (LONGピン) : 左サイド 6ピン (A19,20,21 B19,20,21)
 右サイド 6ピン (A1,2,3 B1,2,3)
 両サイド計 12ピン
- △ コネクタを平坦面に置き、タイン、ペグの浮きは0.1以下。



- △ MATERIAL
 HOUSING : THERMO-PLASTICS (UL94V-0, BLACK)
 CONTACT : COPPER ALLOY
 FINISH : ALL OVER Ni UNDER PLATING.
 Au PLATING ON CONTACT AREA.
 TIN PLATING ON TINE AREA.
 PEG : COPPER ALLOY
 FINISH : ALL OVER TIN PLATING.
- △ SEQUENTIAL CONTACTS.(LONG CONTACTS) :
 LEFT SIDE 6 PINS (A19,20,21 B19,20,21)
 RIGHT SIDE 6 PINS (A1,2,3 B1,2,3)
 BOTH SIDE TOTAL 12PINS
- △ MUST BE MEASURED FLOATING AMOUNT OF TINES & PEG
 FROM DATUM SURFACE IS 0.1 MAX.

THIS DRAWING IS A CONTROLLED DOCUMENT.		DWN	Tyco Electronics AMP K.K. Kawasaki, Japan		
DIMENSIONS: 単位: 耗 mm		CHK			
TOLERANCES UNLESS OTHERWISE SPECIFIED: 一般公差		APVD	NAME 名称		
0 PLC ± 1 PLC ± 2 PLC ± 3 PLC ± 4 PLC ± ANGLES ±		PRODUCT SPEC 製品規格	EMBOSS ASSY 0.635mm PITCH BAY CONNECTOR PLUG WITH BOSS		
MATERIAL 材料		FINISH 仕上	APPLICATION SPEC 取付適用規格	SIZE A3	CAGE CODE 00779
△		△	WEIGHT	DRAWING NO 番号 C-1903291	RESTRICTED TO
CUSTOMER DRAWING			SCALE 尺度 4:1	SHEET 4 OF 4	REV D