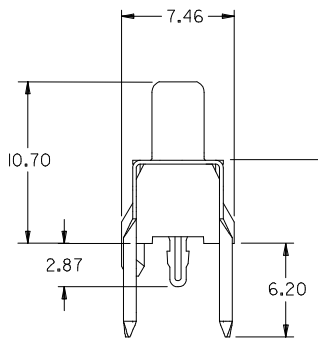
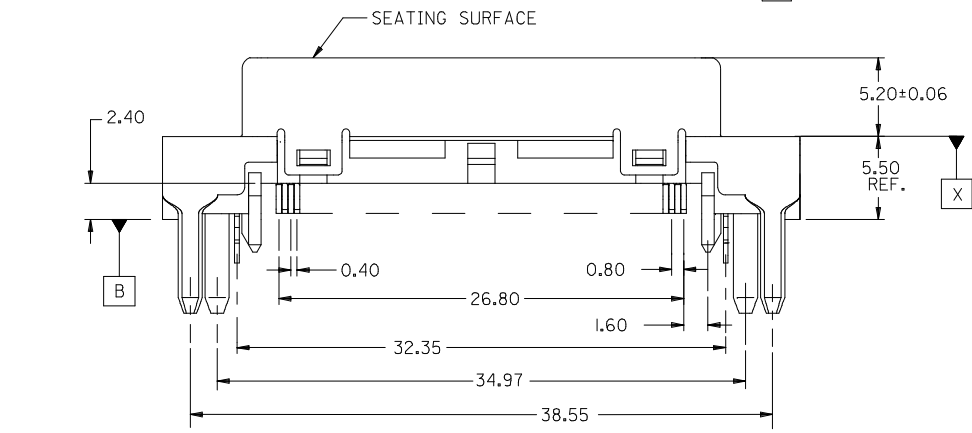
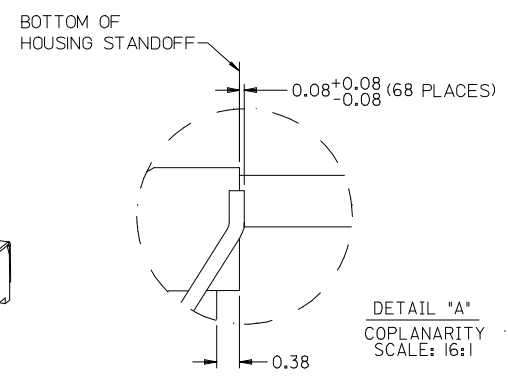
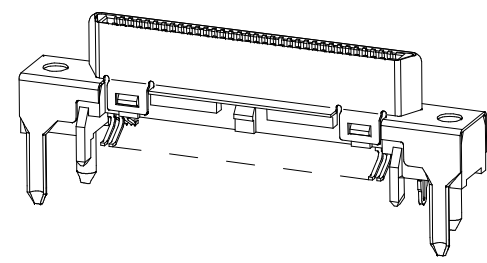


SECTION "A-A"



CLASS B  
SEE NOTE 8  
CLASS C



NOTES:

1. MATERIALS:  
HOUSING: HIGH TEMP THERMOPLASTIC, COLOR: BLACK, UL 94V-0.  
TERMINAL: PHOSPHOR BRONZE  
SHIELD: STEEL  
THREADED INSERT: BRASS  
SCREWLOCK: STEEL
2. FINISH:  
TERMINAL: 0.05-0.25 MICROMETER GOLD FLASH IN OVER 0.75 MICROMETER MINIMUM PALLADIUM NICKEL IN CONTACT AREA;  
1.87 MICROMETER MINIMUM TIN IN TAIL AREA;  
ALL OVER 1.25 MICROMETER MINIMUM NICKEL.  
SHIELD: 3.81 MICROMETERS MINIMUM BRIGHT TIN OVER 1.27 MICROMETERS MINIMUM NICKEL OVER COPPER FLASH (OPTIONAL).  
THREADED INSERT: NICKEL  
SCREWLOCK: NICKEL
3. APPLICABLE PRODUCT SPEC: PS-71425-9999.
4. PACKAGING: TUBE PACK PER PK-70873-0824.
5. APPLICABLE STANDARDS: EIA-3652.
6. MATING ASSEMBLY: 71425-0001 PLUG.
7. DATE CODE: YEAR AND WEEK PER EIA -476-A.
8. PRODUCT COMPLIES WITH COSMETIC SPECIFICATION PS-45499-002. SEE FIGURE ABOVE FOR SURFACE CLASSIFICATIONS.

CLOSE OFF ENDS EC NO: UCP2010-0048 DRWIN: BARKER 2009/09/10 CHKD: MORGAN 2009/09/10 APPR: MILLER 2009/09/10	QUALITY SYMBOLS ▽=0 ▽=0	GENERAL TOLERANCES (UNLESS SPECIFIED)		DIMENSION STYLE <b>MM ONLY</b>		SCALE	DESIGN UNITS	THIRD ANGLE PROJECTION		
		mm	INCH	DRAWN BY	DATE	TITLE	MOLEX INCORPORATED SD-73776-002	DOCUMENT NO. SHEET NO. 1 OF 2	THIS DRAWING CONTAINS INFORMATION THAT IS PROPRIETARY TO MOLEX INCORPORATED AND SHOULD NOT BE USED WITHOUT WRITTEN PERMISSION	
		4 PLACES ± ---	± ---	DBOWEN	1997/04/11	SALES ASSY VHDCI 0.8MM PITCH 68 CKT VERTICAL SMT RECEPTACLE				
		3 PLACES ± ---	± ---	CHECKED BY	DATE					
2 PLACES ± 0.25	± ---	SSAMPSON	1997/04/11							
1 PLACE ± ---	± ---	APPROVED BY	DATE							
		DBOWEN	1997/04/11							
		ANGULAR ±1/2°		SEE TABLE						
DRAFT WHERE APPLICABLE MUST REMAIN WITHIN DIMENSIONS										

