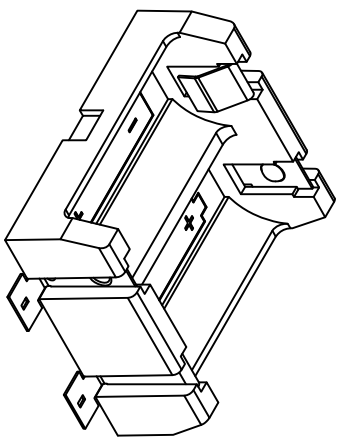
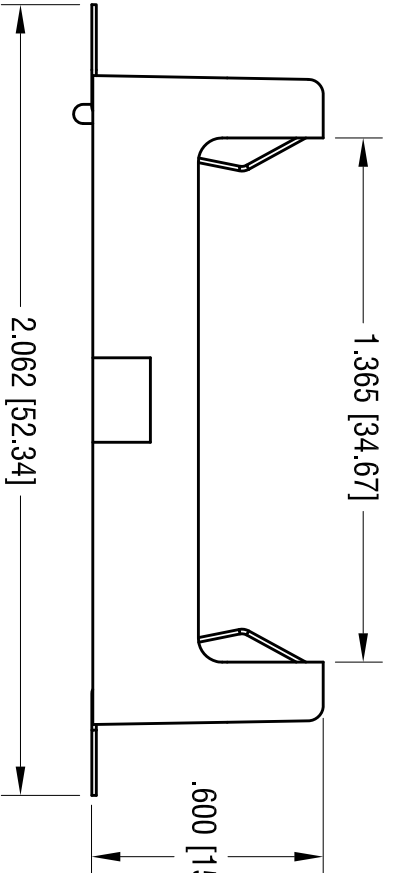
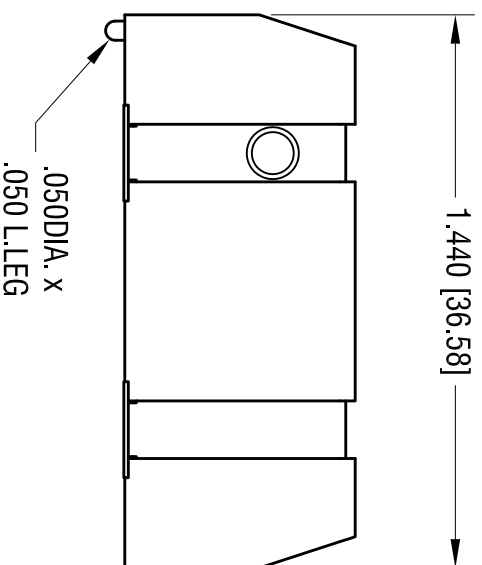
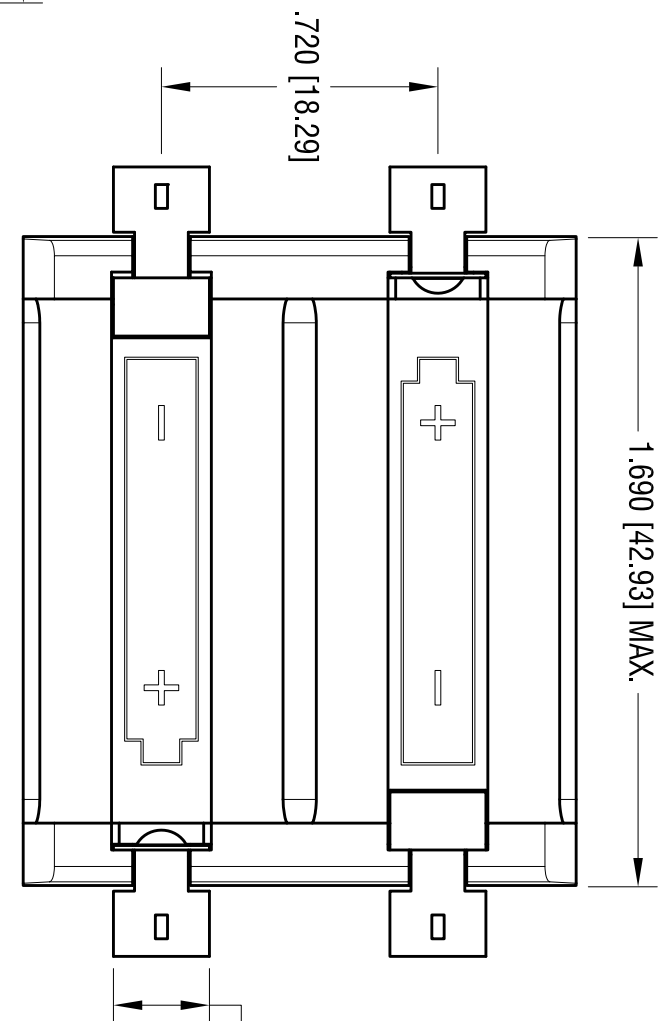
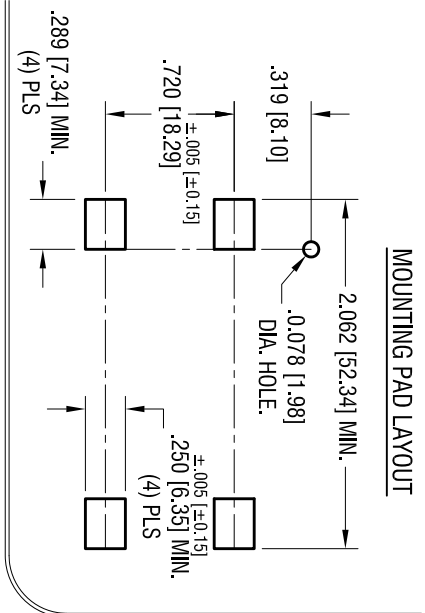


MOUNTING PAD LAYOUT



ACTUAL SIZE

NOTE:

- 1. BASE: MAT'L: HEAT RESISTANCE NYLON (UL94V-0) STANYL 46 OR EQUIVALENT
- 2. CONTACT: MAT'L: .012 [0.30] THK STAINLESS STEEL FINISH: GOLD FLASH, OVER NICKEL PLATE.

DATE

DESCRIPTION

REV.

KEYSTONE ELECTRONICS CORP.

www.keystec.com • ASTORIA, N.Y. 11105-2017 • Tel (718) 956-8900

PART NAME

SM POLARIZED HOLDER, (2) CR123A

MATERIAL

AS NOTED

FINISH

AS NOTED

TOLERANCES	INCH	[MM]	CODE	DWG NO.
DECIMAL	± .010	[±	C	1080
ANGULAR	± 1°]		
UNLESS OTHERWISE SPECIFIED				

DRN BY: HAMILTON DATE: 1.19.12

APP'D: LN SCALE: 2X