

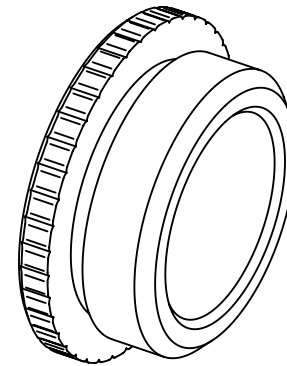
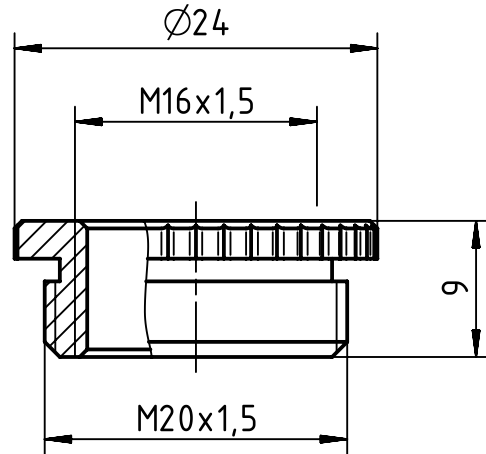
1 2 3 4 5 6


A

B

C

D



	All rights reserved Department EL PD - DE HARTING Electric GmbH & Co. KG D-32339 Espelkamp	All Dimensions in mm Original Size DIN A4	Scale 2:1	Free size tol.		Ref.
		Created by RULLKOETTER	Inspected by SCHNIEDER	Standardisation SCHMIDTM	Date 2013-10-08	State Final Release
Title Reducer M20/M16						Doc-Key / ECM-Nr. 100215189/UGD/000/A 500000067014
Type TB		Number 19 00 000 5060				Rev. A
						Page 1/1