



PRODUCT DATASHEET

Lena series

last update 15/2/2017

DETAILS

Product Number	C12153_LENA-STD-BASE-BXRA
Family	Lena
Type	Base part
Color	white
Diameter	mm
Height	mm
Style	round
Optic Material	
Holder Material	PC
Fastening	
Status	production ready
ROHS Compliant	Yes
Date Updated	15/02/2017



OPTICAL PROPERTIES

LED	Viewing Angle	Light Beam	Efficiency	cd/lm	Connector
BXRA ES Rectangle	N/A deg		-	-	-

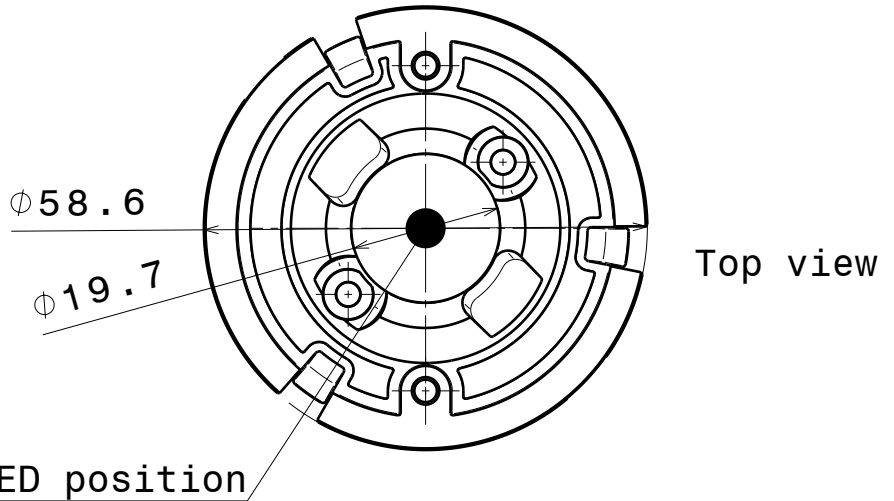
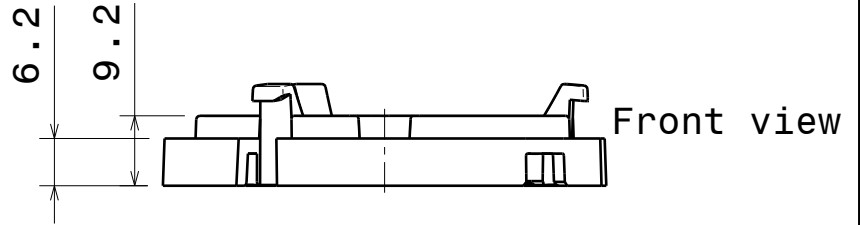
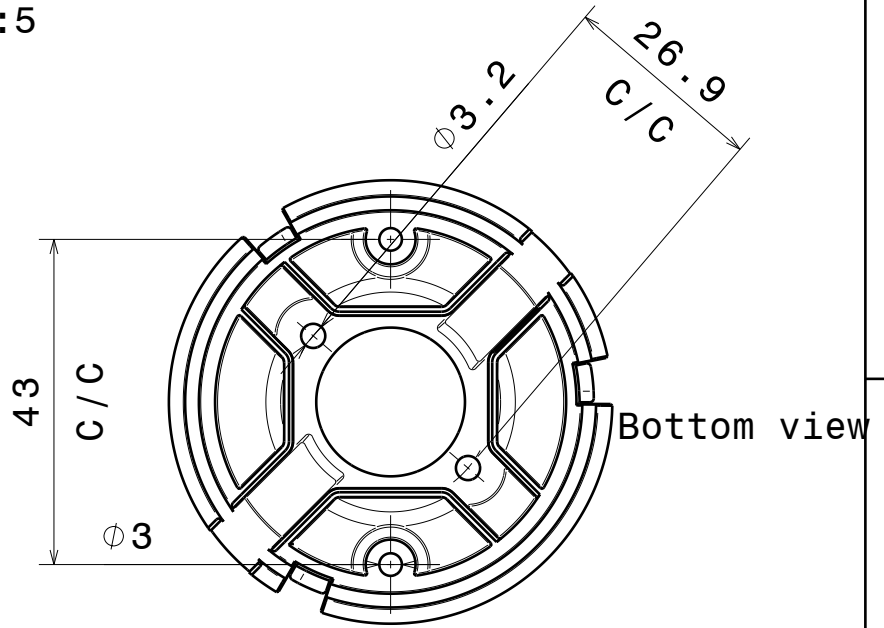
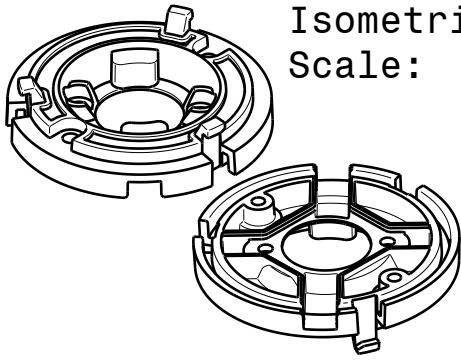
D

C

B

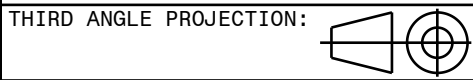
A

Isometric view
Scale: 3:5



Tolerances if not otherwise shown
According to DIN ISO 2768-1
Linear measures:
Up to 30mm class M, otherwise class C.
According to DIN ISO 2768-2
Form and position: class L

LEDiL LediL Oy
Salorankatu 10
FIN 24240 SALO
Finland



DRAWING TITLE
C12153_LENA-STD-BASE_BXRA

This drawing is the property
of LEDiL Oy. It may not be
reproduced, copied or
communicated without a written
agreement with LEDiL Oy."

SIZE PART NUMBER
A4 C12153

SCALE 1:1 WEIGHT - SHEET 1/1

D

A

NOTE: The typical divergence will be changed by different color, chip size and chip position tolerance. The typical total divergence is the full angle measured where the luminous intensity is half of the peak value.