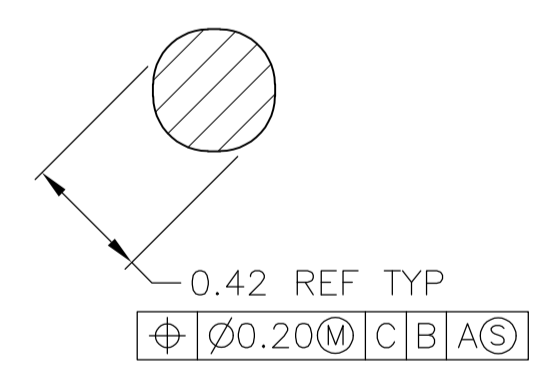
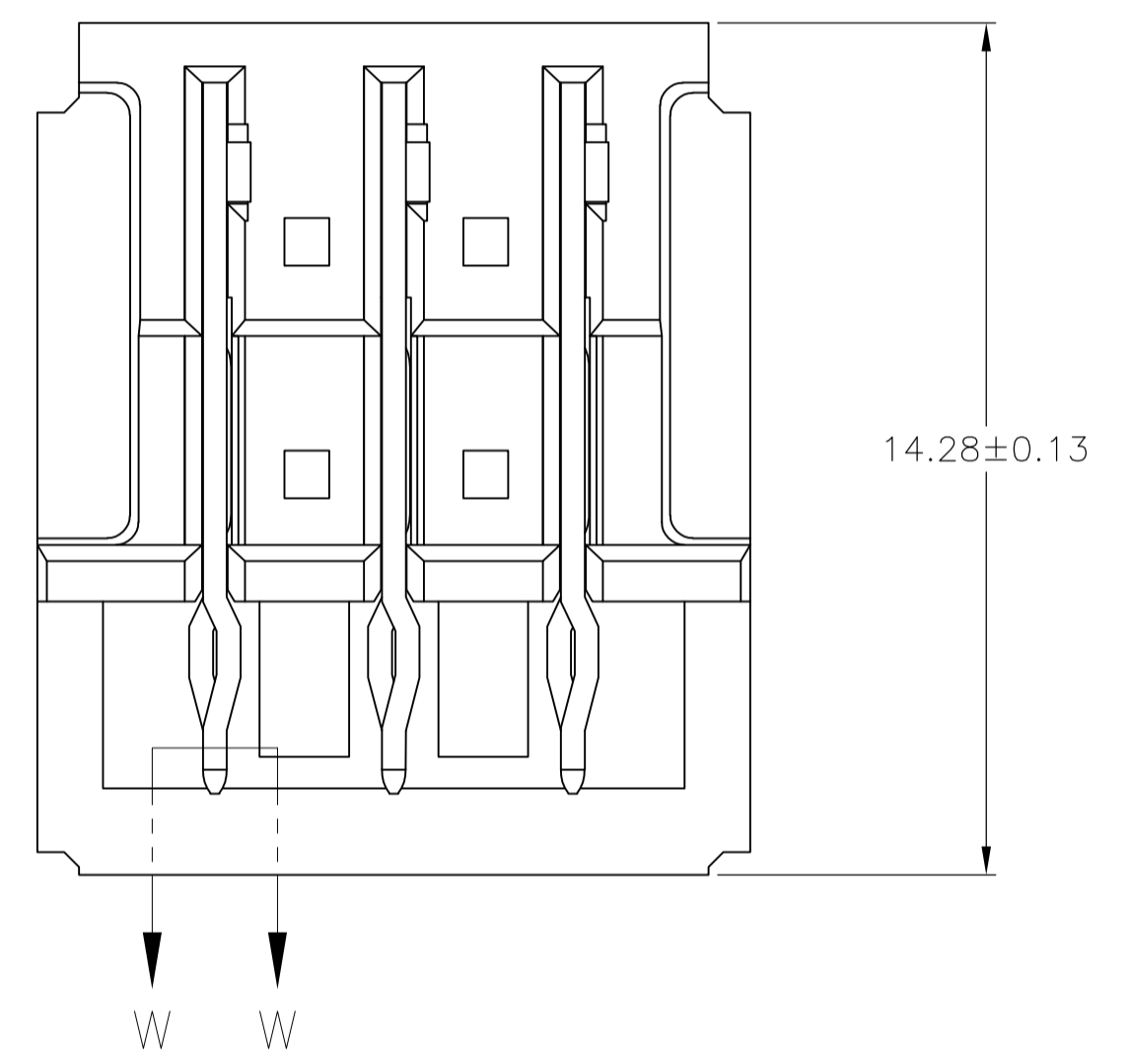
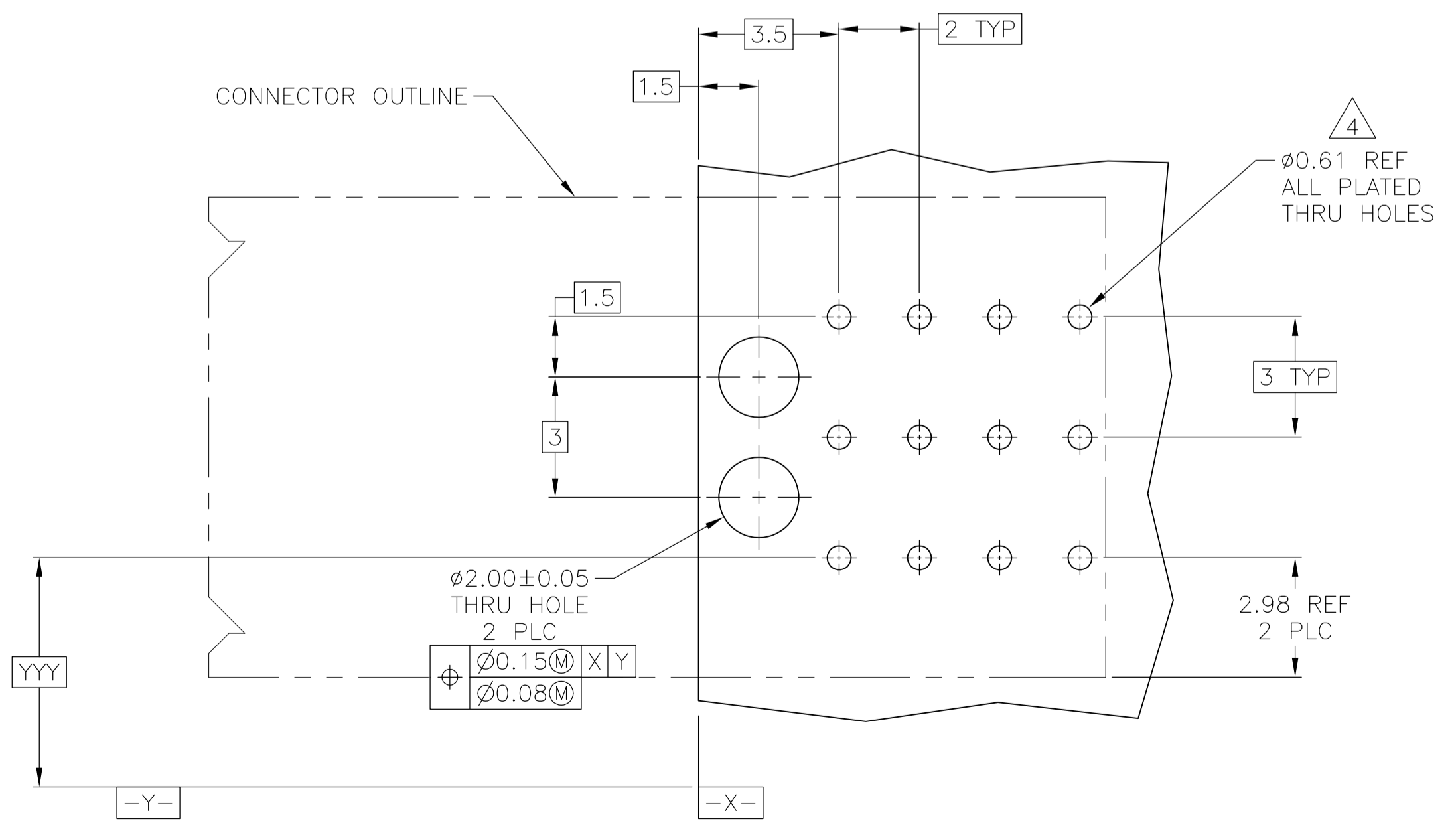


- 1 HOUSING: POLYESTER, GRAY. UL 94V-0. CONTACT: PHOSPHOR BRONZE.
- 2 CONTACT: MATING AREA: 1.27µm MIN GOLD OR 0.08µm MIN GOLD OVER 0.76µm MIN PALLADIUM-NICKEL. ACTION PIN AREA: 0.5µm MIN TIN PLATE. ALL OVER 1.27µm MIN NICKEL UNDERPLATE.
- 3 CONTACT LUBRICATION WITH BELCORE APPROVED LUBRICANT. TECHNICAL REFERENCE: TR-NWT-001217 ISSUE 1, SEPT 1992.
- 4 REFERENCE APPLICATION SPEC 114-1103 FOR RECOMMENDED PLATED THRU HOLE DIAMETER AND PLATING THICKNESS.
- 5 NUMBER "2" MARKED IN THIS AREA.
- 6 HOUSING: POLYESTER, GRAY. UL 94V-0. CONTACT: HI-CURRENT COPPER ALLOY.
- 7 CURRENT RATING 10A/CONTACT FOR PHOS BRONZE CONTACT AND 16A/CONTACT FOR HIGH CURRENT COPPER ALLOY CONTACTS PER PRODUCT SPEC 108-1651.



SECTION W-W
SCALE 40:1



RECOMMENDED PCB HOLE LAYOUT

5	2	3	6	5-5223963-1
1	2	3		5223963-7
1	2	3		5223963-1
REMARKS				PART NUMBER

THIS DRAWING IS A CONTROLLED DOCUMENT.		DIN	B. CARBO	29OCT04
DIMENSIONS: mm		CHK	R. PATTERSON	29OCT04
TOLERANCES UNLESS OTHERWISE SPECIFIED:		APVD	R. PATTERSON	29OCT04
0 PLC ± -		NAME	ASSEMBLY, RIGHT ANGLE HEADER, W/ RETENTION PEGS, UNIVERSAL POWER MODULE	
1 PLC ± -		SIZE	A1	00779
2 PLC ± 0.13		SCALE	8:1	5223963
3 PLC ± -		WEIGHT		
4 PLC ± -		CUSTOMER DRAWING		
ANGLES ± -		RESTRICTED TO		
FINISH SEE TABLE		DATE	01APR11	REV C