

4

3

2

1

THIS DRAWING IS UNPUBLISHED.

RELEASED FOR PUBLICATION

,19

© COPYRIGHT 19

BY AMP INCORPORATED.

ALL RIGHTS RESERVED.

LOC

DIST

REVISIONS

AD

47

P

LTR

DESCRIPTION

DATE

DWN

APVD

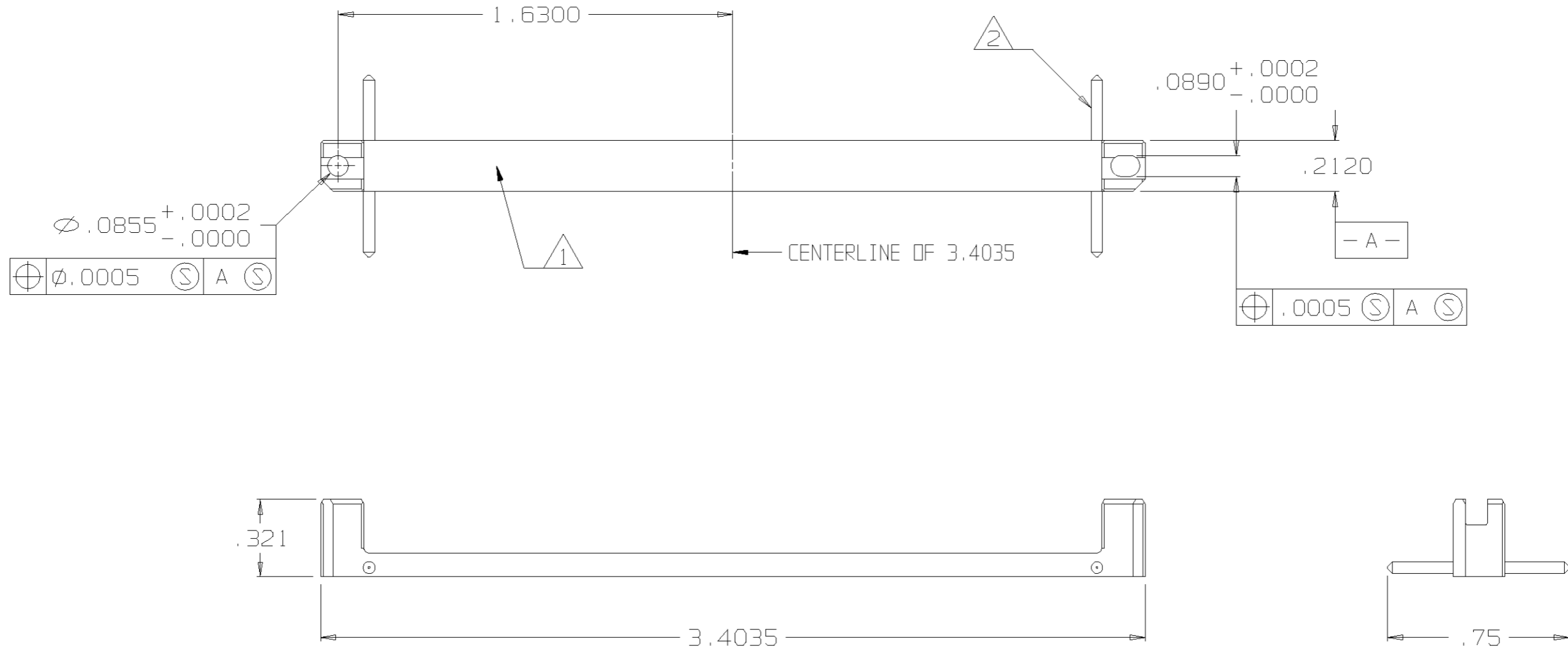
0

RELEASED

5-24-99

JG

SS



1 PART NUMBER MARKED IN AREA INDICATED.  
 2 END CAPS APPLIED TO PINS NOT SHOWN.

767680-1  
 PART NUMBER

THIS DRAWING IS A CONTROLLED DOCUMENT.		DWN	J.GERACE	5-24-99	<b>AMP</b>	AMP Incorporated	
		CHK	S.STRICKLER	5-24-99		Harrisburg, PA 17105-3608	
		APVD	A.MONK	5-24-99		NAME	
DIMENSIONS: INCHES		TOLERANCES UNLESS OTHERWISE SPECIFIED:		FIRST DATUM BLOCK, DUAL INSPECTION GAGE, 228 POS RECEPTACLE, MICTOR			
		0 PLC ± -		PRODUCT SPEC -			
		1 PLC ± -		APPLICATION SPEC -			
MATERIAL STAINLESS STEEL		2 PLC ± .01		SIZE			
		3 PLC ± .005		A3			
		4 PLC ± .0005		CAGE CODE			
		ANGLES ± -		00779			
		FINISH -		DRAWING NO			
				C-767680			
				WEIGHT -			
				CUSTOMER DRAWING			
				SCALE 2:1			
				SHEET 1 OF 1			
				REV 0			