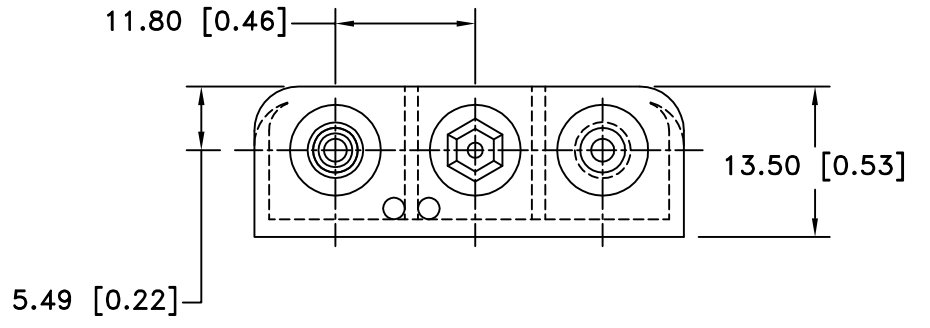
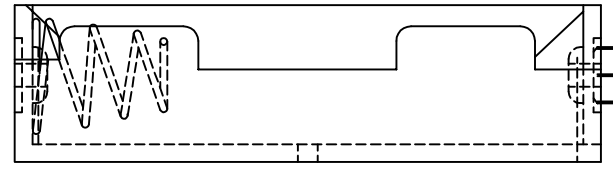
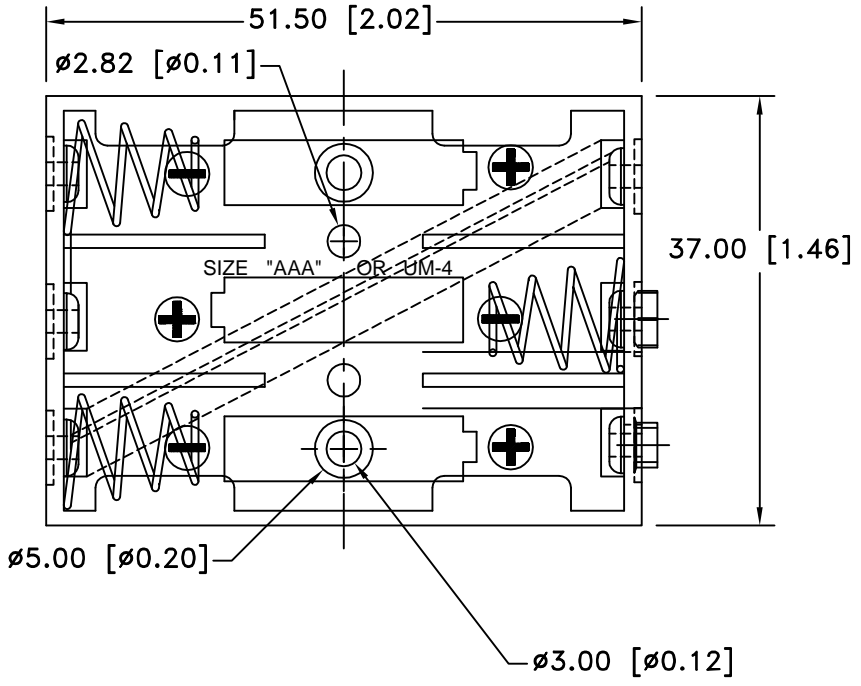



| Date | SYM | REVISION RECORD | AUTH | DR. | CK. |
|---------|-----|--|------|------|-----|
| 6/24/06 | A | ADDED "ROHS COMPLIANT" UPDATED MATERIAL NOTES | T.B. | B.S. | |
| | | | | | |
| | | | | | |
| | | | | | |



NOTES:

1. MATERIAL:
HOUSING : BLACK POLYPROPYLENE
FLAMMABILITY RATING -UL94-HB, UL FILE NO. E216959
TEMPERATURE RANGE: -10°C to +100°C
RIVETS: BRASS, NICKLE PLATED.
SPRING: SPRING STEEL, NICKLE PLATED.
9 VOLTS SNAPS: BRASS, NICKLE PLATED.
CONTACT RESISTANCE: UNDER 50mΩ FOR +/- CONTACTS PER EIA-540J000

ROHS COMPLIANT

| | | | |
|--------------------------------|---|----------------------------|---------------|
| Tolerance (Except as noted) |  Memory Protection Devices, Inc 200 Broad Hollow Road, Farmingdale, New York 11735 | Scale | Drawn By B.S. |
| decimal $\pm .5$ (.020) | | Approved By T.B. | |
| Fractional $\pm .8$ (.030) | Title THREE "AAA" CELL HOLDER | | |
| Angular $\pm 3^\circ$ | Date 6/24/06 | Drawing Number BC3AAASF | |