

# LED RGB CONTROLLER

The LED RGB Controller is designed for LED lighting color control. It can control modules, LED ribbons, LED bars, High Power LED modules and other LED lighting fixtures.

## FEATURES

- Power Off Memory
- 11 Control Modes
- Rate Control for Cycling Color Changes and Brightness Control
- Common Anode CMOS Outputs
- Operates up to 8 JKL LED Light Bars, reference P/N ZRS-10573-RGB

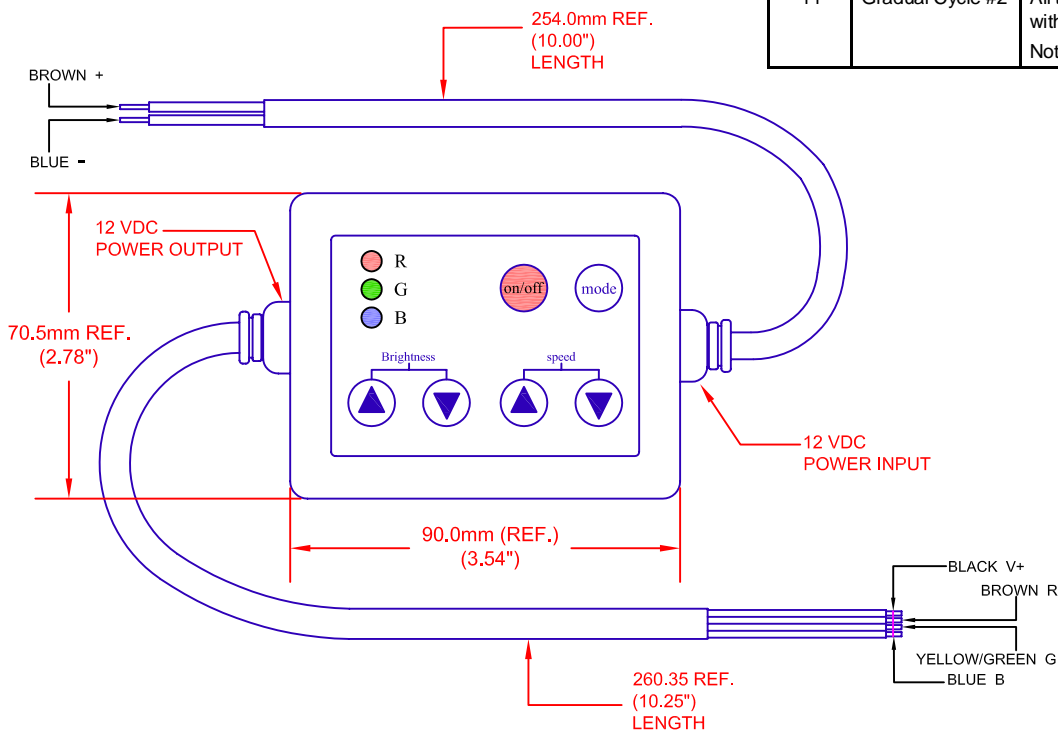


## RATINGS

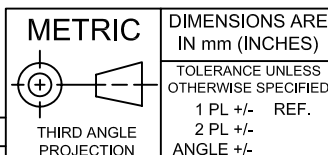
CHARACTERISTICS	UNIT	MINIMUM	TYPICAL	MAXIMUM
Input Voltage	Volts DC		12	
Load Current	Amps		4	6
Operating Temperature	degrees C	-20		60

## MODES

MODE #	TITLE	DESCRIPTION
1	Static Red	The "R" output is constantly ON
2	Static Blue	The "B" output is constantly ON
3	Static Violet	The "R and G" output is constantly ON
4	Static Green	The "G" output is constantly ON
5	Static Yellow	The "R and G" outputs are constantly ON
6	Static Cyan	The "G, and B" outputs are constantly ON
7	Static White	The "R, G, and B" outputs are constantly ON
8	Flash Cycle #1	The "R, B, and G" outputs go ON and OFF in order
9	Flash Cycle #2	All the static colors come ON and OFF in a sequence
10	Gradual Cycle #1	The "R, G, and B" output go ON and OFF in order with overlap between colors (Brightness adjust Not Available)
11	Gradual Cycle #2	All the static colors come ON and OFF in a sequence with overlap between colors (Brightness adjust Not Available)



JKL PART NO.: ZCTR-03-RGB



METRIC		DIMENSIONS ARE IN mm (INCHES)		JKL COMPONENTS CORPORATION			
THIRD ANGLE PROJECTION		TOLERANCE UNLESS OTHERWISE SPECIFIED 1 PL +/- REF. 2 PL +/- ANGLE +/-		TITLE <b>LED RGB CONTROLLER</b>			
DRAWN BY L. WENGSTROM	APPV'D BY L.R.	DATE 5/7/09	SIZE <b>A</b>	FSCM NO. <b>55335</b>	DRAWING NO. <b>ZCTR-03-RGB</b>		
- CAD DRAWING - MANUAL REVISIONS NOT PERMITTED		SCALE NONE	RELEASED DATE 5/7/09	REVISION DATE	REV. NO.	SHEET 1 OF 1	

REV. NO.	DESCRIPTION/ECO NUMBER	APPV'D DATE
	RELEASE AND CANCEL PL-0901-03	5/7/09