

**80** mm sq.

# San Ace 80



## General Specifications

- Material ..... Frame: Plastics (Flammability: UL94V-0),  
Impeller: Plastics (Flammability: UL94V-1)
- Expected Life ..... Refer to specifications (L10:Survival rate:90% at 60°C ,  
rated voltage, and continuously run in a free air state)
- Lead Wire ..... ⊕red ⊖black or blue (Sensor) yellow
- Storage Temperature ..... -30°C to +70°C (Non-condensing)

**80×80×32**mm (Mass : 150g) **9P** type

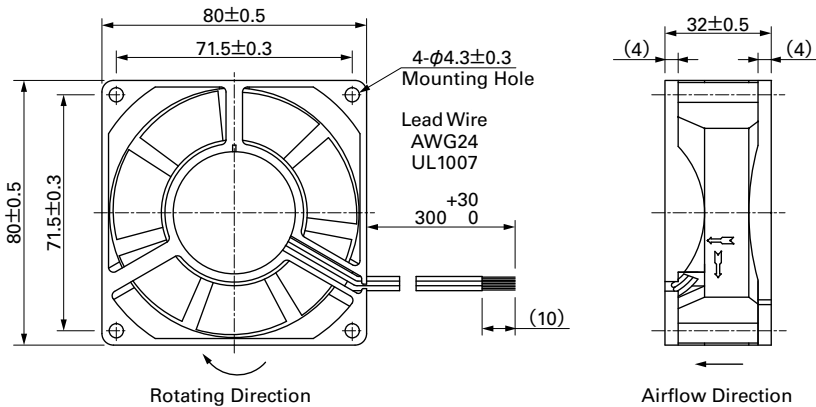
## Specifications

The following nos. **have pulse sensors and ribs**. For ribless, append "1" to the model no.

Model No.	Rated Voltage [V]	Operating Voltage Range [V]	Rated Current [A]	Rated Input [W]	Rated Speed [min <sup>-1</sup> ]	Max. Airflow [m <sup>3</sup> /min] [CFM]	Max. Static Pressure [Pa] [inchH <sub>2</sub> O]	SPL [dB(A)]	Operating Temperature [°C]	Expected Life [h]	
<b>109P0812A201</b>	12	6 to 13.2	0.56	6.72	4,600	1.52 53.7	91.1 0.366	45	-20 to +55	40,000(+55°C)	
<b>109P0812H201</b>		10.2 to 13.8	0.16	1.92	3,150	1.05 37.1	43.1 0.173	33		40,000/60°C	
<b>109P0812M201</b>			0.07	0.84	2,000	0.65 23.0	18.6 0.075	21		60,000/60°C	
<b>109P0824A201</b>	24	12 to 26.4	0.29	6.96	4,600	1.52 53.7	91.1 0.366	45	-20 to +60	40,000/60°C	
<b>109P0824H201</b>		20.4 to 27.6	0.09	2.16	3,150	1.05 37.1	43.1 0.173	33		-20 to +70	60,000/60°C
<b>109P0824M201</b>			0.04	0.96	2,000	0.65 23.0	18.6 0.075	21			
<b>109P0848H201</b>	48	43 to 53	0.06	2.88	3,350	1.10 38.9	50.9 0.204	35	-20 to +70	40,000/60°C	

Other sensor specifications are available as options. Please refer to the index (pp. 497 to 498).

## Dimensions (unit: mm) (With ribs)



## Reference Dimensions of Mounting Holes and Vent Opening (unit: mm)

