

# BlueMod+S42 Hardware User Guide

1VV0301303 Rev.4 – 2016-12-14



## APPLICABILITY TABLE

PRODUCT
BlueMod+S42/AI

Table 1 Product Applicability



*SPECIFICATIONS SUBJECT TO CHANGE WITHOUT NOTICE***Notice**

While reasonable efforts have been made to assure the accuracy of this document, Telit assumes no liability resulting from any inaccuracies or omissions in this document, or from use of the information obtained herein. The information in this document has been carefully checked and is believed to be entirely reliable. However, no responsibility is assumed for inaccuracies or omissions. Telit reserves the right to make changes to any products described herein and reserves the right to revise this document and to make changes from time to time in content hereof with no obligation to notify any person of revisions or changes. Telit does not assume any liability arising out of the application or use of any product, software, or circuit described herein; neither does it convey license under its patent rights or the rights of others.

It is possible that this publication may contain references to, or information about Telit products (machines and programs), programming, or services that are not announced in your country. Such references or information must not be construed to mean that Telit intends to announce such Telit products, programming, or services in your country.

**Copyrights**

This instruction manual and the Telit products described in this instruction manual may be, include or describe copyrighted Telit material, such as computer programs stored in semiconductor memories or other media. Laws in the Italy and other countries preserve for Telit and its licensors certain exclusive rights for copyrighted material, including the exclusive right to copy, reproduce in any form, distribute and make derivative works of the copyrighted material. Accordingly, any copyrighted material of Telit and its licensors contained herein or in the Telit products described in this instruction manual may not be copied, reproduced, distributed, merged or modified in any manner without the express written permission of Telit. Furthermore, the purchase of Telit products shall not be deemed to grant either directly or by implication, estoppel, or otherwise, any license under the copyrights, patents or patent applications of Telit, as arises by operation of law in the sale of a product.

**Computer Software Copyrights**

The Telit and 3rd Party supplied Software (SW) products described in this instruction manual may include copyrighted Telit and other 3rd Party supplied computer programs stored in semiconductor memories or other media. Laws in the Italy and other countries preserve for Telit and other 3rd Party supplied SW certain exclusive rights for copyrighted computer programs, including the exclusive right to copy or reproduce in any form the copyrighted computer program. Accordingly, any copyrighted Telit or other 3rd Party supplied SW computer programs contained in the Telit products described in this instruction manual may not be copied (reverse engineered) or reproduced in any manner without the express written permission of Telit or the 3rd Party SW supplier. Furthermore, the purchase of Telit products shall not be deemed to grant either directly or by implication, estoppel, or otherwise, any license under the copyrights, patents or patent applications of Telit or other 3rd Party supplied SW, except for the normal non-exclusive, royalty free license to use that arises by operation of law in the sale of a product.



## Usage and Disclosure Restrictions

### License Agreements

The software described in this document is the property of Telit and its licensors. It is furnished by express license agreement only and may be used only in accordance with the terms of such an agreement.

### Copyrighted Materials

Software and documentation are copyrighted materials. Making unauthorized copies is prohibited by law. No part of the software or documentation may be reproduced, transmitted, transcribed, stored in a retrieval system, or translated into any language or computer language, in any form or by any means, without prior written permission of Telit

### High Risk Materials

Components, units, or third-party products used in the product described herein are NOT fault-tolerant and are NOT designed, manufactured, or intended for use as on-line control equipment in the following hazardous environments requiring fail-safe controls: the operation of Nuclear Facilities, Aircraft Navigation or Aircraft Communication Systems, Air Traffic Control, Life Support, or Weapons Systems (High Risk Activities"). Telit and its supplier(s) specifically disclaim any expressed or implied warranty of fitness for such High Risk Activities.

### Trademarks

TELIT and the Stylized T Logo are registered in Trademark Office. All other product or service names are the property of their respective owners.

### Third Party Rights

The software may include Third Party Right software. In this case you agree to comply with all terms and conditions imposed on you in respect of such separate software. In addition to Third Party Terms, the disclaimer of warranty and limitation of liability provisions in this License shall apply to the Third Party Right software.

TELIT HEREBY DISCLAIMS ANY AND ALL WARRANTIES EXPRESS OR IMPLIED FROM ANY THIRD PARTIES REGARDING ANY SEPARATE FILES, ANY THIRD PARTY MATERIALS INCLUDED IN THE SOFTWARE, ANY THIRD PARTY MATERIALS FROM WHICH THE SOFTWARE IS DERIVED (COLLECTIVELY "OTHER CODE"), AND THE USE OF ANY OR ALL THE OTHER CODE IN CONNECTION WITH THE SOFTWARE, INCLUDING (WITHOUT LIMITATION) ANY WARRANTIES OF SATISFACTORY QUALITY OR FITNESS FOR A PARTICULAR PURPOSE.

NO THIRD PARTY LICENSORS OF OTHER CODE SHALL HAVE ANY LIABILITY FOR ANY DIRECT, INDIRECT, INCIDENTAL, SPECIAL, EXEMPLARY, OR CONSEQUENTIAL DAMAGES (INCLUDING WITHOUT LIMITATION LOST PROFITS), HOWEVER CAUSED AND WHETHER MADE UNDER CONTRACT, TORT OR OTHER LEGAL THEORY, ARISING IN ANY WAY OUT OF THE USE OR DISTRIBUTION OF THE OTHER CODE OR THE EXERCISE OF ANY RIGHTS GRANTED UNDER EITHER OR BOTH THIS LICENSE AND THE LEGAL TERMS APPLICABLE TO ANY SEPARATE FILES, EVEN IF ADVISED OF THE POSSIBILITY OF SUCH DAMAGES.

Copyright © Telit Communications S.p.A. 2016.



## Contents

<b>1</b>	<b>Introduction.....</b>	<b>11</b>
1.1	Scope.....	11
1.2	Audience .....	11
1.3	Contact Information, Support .....	11
1.4	Document Organization .....	12
1.5	Text Conventions .....	12
1.6	Related Documents.....	13
<b>2</b>	<b>General Product Description .....</b>	<b>14</b>
2.1	Feature Summary .....	14
2.2	Applications.....	15
2.3	General Cable Replacement.....	15
2.3.1	Industry.....	15
2.3.2	POS/Advertising .....	15
2.3.3	Healthcare and Medical .....	15
2.3.4	Sports and Fitness.....	15
2.3.5	Entertainment .....	16
2.4	Block Diagram.....	16
<b>3</b>	<b>Application Interface .....</b>	<b>17</b>
3.1	Power Supply.....	17
3.1.1	Power-up Slew-Rate .....	18
3.2	Reset.....	18
3.3	Serial Interface .....	19
3.3.1	4-Wire Serial Interface .....	21
3.3.2	UART Example Circuits .....	22
3.3.3	Baud Rate Deviation .....	24
3.3.4	Dynamic I/O Signal Type Changes depending on the UICP status .....	24
3.4	GPIO Interface .....	25
3.5	I <sup>2</sup> C Interface .....	25
3.6	SPI Serial Peripheral Interface .....	26
3.7	Bluetooth Radio Interface.....	26
3.8	NFC Function .....	26
3.8.1	NFCT Antenna Recommendations .....	27





- 3.8.2 Power Back Feeding.....27
- 3.9 Slow Clock Interface ..... 28
  - 3.9.1 32,768 kHz Crystal Oscillator Specification (32k XOSC).....28
  - 3.9.2 Connection of an External 32,768 kHz Crystal.....29
- 3.10 Test Mode..... 29
- 3.11 Operating in a Power-Switched Environment ..... 30
- 3.12 Serial Wire Debug Interface..... 30
- 3.13 DC/DC Converter..... 31
- 4 Module Pins ..... 32**
  - 4.1 Pin Numbering ..... 32
  - 4.2 Pin Description ..... 33
    - 4.2.1 General Pin Description ..... 33
    - 4.2.2 Application Specific Pin Description ..... 35
  - 4.3 Handling of Unused Signals ..... 36
- 5 Electrical Characteristics..... 37**
  - 5.1 Absolute Maximum Ratings..... 37
  - 5.2 Operating Conditions ..... 37
  - 5.3 Environmental Requirements ..... 37
  - 5.4 DC Parameter ..... 38
    - 5.4.1 General Purpose I/O (GPIO)..... 38
    - 5.4.2 EXT-RES# ..... 39
    - 5.4.3 Analog Digital Converter (ADC) ..... 40
    - 5.4.4 ADC Reference Voltage..... 40
    - 5.4.5 Analog ADC Input AIN ..... 41
  - 5.5 Power Consumption and Power-Down Modes..... 42
    - 5.5.1 Terminal I/O Configuration ..... 42
  - 5.6 RF Performance..... 44
    - 5.6.1 BLE Receiver..... 44
    - 5.6.2 BLE Transmitter..... 45
    - 5.6.3 Antenna-Gain and Radiation Pattern ..... 46
  - 5.7 Power-Up Time ..... 48
- 6 Mechanical Characteristics ..... 49**
  - 6.1 Dimensions ..... 49
  - 6.2 Recommended Land Pattern ..... 50



- 6.3 Re-flow Temperature-Time Profile ..... 50
- 6.4 Placement Recommendation ..... 51
- 6.5 Housing Guidelines ..... 52
- 6.6 Antenna Issues ..... 52
- 6.7 Safety Guidelines ..... 52
- 6.8 Cleaning ..... 52
- 7 Application Diagram..... 53**
- 8 Compliances ..... 54**
- 8.1 Declaration of Conformity CE ..... 54
- 8.2 FCC Compliance ..... 54
  - 8.2.1 FCC Grant ..... 55
  - 8.2.2 FCC Statement ..... 56
  - 8.2.3 FCC Caution ..... 56
  - 8.2.4 FCC Warning ..... 56
  - 8.2.5 FCC RF-exposure Statement ..... 56
  - 8.2.6 FCC Labeling Requirements for the End Product ..... 57
- 8.3 IC Compliance ..... 57
  - 8.3.1 IC Grant ..... 58
  - 8.3.2 IC Statement ..... 60
  - 8.3.3 IC Caution ..... 60
  - 8.3.4 IC RF-exposure Statement ..... 60
  - 8.3.5 IC Labeling Requirements for the End Product ..... 61
  - 8.3.6 IC Label Information BlueMod+S42 ..... 61
- 8.4 KC Certification ..... 62
  - 8.4.1 KC Certificate ..... 62
  - 8.4.2 KC Mark ..... 63
- 8.5 Bluetooth Qualification ..... 64
- 8.6 RoHS Declaration ..... 65
- 9 Packing ..... 66**
- 9.1 Tape ..... 67
- 9.2 Reel ..... 67
- 9.3 Package Label ..... 67
- 9.4 Moisture Sensitivity Level ..... 67



<b>10</b>	<b>Ordering Information.....</b>	<b>68</b>
10.1	Part Numbers.....	68
10.2	Standard Packing Unit .....	68
10.3	Evaluation Kit.....	68
<b>11</b>	<b>Safety Recommendations.....</b>	<b>69</b>
<b>12</b>	<b>Document History .....</b>	<b>70</b>





## Figures

Figure 1: BlueMod+S42/AI Block Diagram .....	16
Figure 2: BlueMod+S42 Example Power Supply with LDO .....	17
Figure 3: BlueMod+S42 Example Reset .....	18
Figure 4: Serial Interface Signals .....	20
Figure 5: Five Wire Interface supporting UICP (Minimum Signals needed) .....	20
Figure 6: BlueMod+S42 Example Serial Interface (RS-232) Supporting UICP .....	22
Figure 7: BlueMod+S42 Example Serial Interface (Mixed Signal Level) .....	23
Figure 8: BlueMod+S42 I <sup>2</sup> C Interface.....	25
Figure 9: BlueMod+S42 SPI Interface (Example: Master Mode) .....	26
Figure 10: BlueMod+S42 NFC Antenna Tuning .....	27
Figure 11: BlueMod+S42 connection of external XTAL .....	29
Figure 12: BlueMod+S42 Pin Numbering (Top View) .....	32
Figure 13: Typical Antenna Radiation Pattern at 2402MHz .....	46
Figure 14: Typical Antenna Radiation Pattern at 2441MHz .....	47
Figure 15: Typical Antenna Radiation Pattern at 2480MHz .....	47
Figure 16: BlueMod+S42/AI Dimensions.....	49
Figure 17: BlueMod+S42 Land Pattern <b>TOP VIEW</b> .....	50
Figure 18: Soldering Temperature-Time Profile (For Reflow Soldering) .....	50
Figure 19: BlueMod+S42/AI Placement Recommendation.....	51
Figure 20: Typical Application Schematics .....	53

## Tables

Table 1 Product Applicability .....	2
Table 2: Power up Rise Time Requirements .....	18
Table 3: Pin States during Reset.....	19
Table 4: Deviation of Baud rates .....	24
Table 5: 32,768kHz Crystal Oscillator .....	28
Table 6: Testmode# / Boot0 Logic.....	29
Table 7: General Pin Assignment.....	34



Table 8: Application Specific Pin Assignments, TIO .....36

Table 9: Absolute Maximum Ratings .....37

Table 10: DC Operating Conditions .....37

Table 11: Environmental Requirements .....37

Table 12: DC Characteristics, Digital IO .....38

Table 13: DC Characteristics, EXT-RES# .....39

Table 14: Input Impedance for AIN.....41

Table 15: Supply Current Sleep Modes, no Radio Activity .....42

Table 16: Supply Current BLE Terminal I/O Profile, Peripheral Device Role .....43

Table 17: RF Performance BLE Receiver .....44

Table 18: RF Performance BLE Transmitter .....46



# 1 Introduction

## 1.1 Scope

This document provides information how the BlueMod+S42/AI can be integrated into customer systems. It addresses hardware specifications of the BlueMod+S42/AI and requirements of the hardware environments for the BlueMod+S42/AI.



---

**NOTE:**

The description text “BlueMod+S42” refers to all modules listed in the Table 1 Product Applicability

---

## 1.2 Audience

This document is intended for Telit customers, especially system integrators, about to implement Bluetooth modules in their application.

## 1.3 Contact Information, Support

For general contact, technical support, to report documentation errors and to order manuals, contact Telit Technical Support Center (TTSC) at:

[TS-EMEA@telit.com](mailto:TS-EMEA@telit.com)

[TS-NORTHAMERICA@telit.com](mailto:TS-NORTHAMERICA@telit.com)

[TS-LATINAMERICA@telit.com](mailto:TS-LATINAMERICA@telit.com)

[TS-APAC@telit.com](mailto:TS-APAC@telit.com)

or

[TS-SRD@telit.com](mailto:TS-SRD@telit.com) for global Bluetooth support

Alternatively, use:

<http://www.telit.com/en/products/technical-support-center/contact.php>

For detailed information about where you can buy the Telit modules or for recommendations on accessories and components visit:

<http://www.telit.com>

To register for product news and announcements or for product questions contact Telit Technical Support Center (TTSC).

Our aim is to make this guide as helpful as possible. Keep us informed of your comments and suggestions for improvements.

Telit appreciates feedback from the users of our information.



## 1.4 Document Organization

This document contains the following chapters:

“[Chapter 1: “Introduction”](#)” provides a scope for this document, target audience, contact and support information, and text conventions.

“[Chapter 3: General Product Description](#)” gives an overview of the features of the product.

“[Chapter 3: Application Interface](#)” describes in details the interfaces of the product.

“[Chapter 4: Module Pins](#)” describes the signal mapping and specification.

“[Chapter 5: Electrical Characteristics](#)” describes in details the characteristics of the product.

“[Chapter 6: Mechanical Characteristics](#)” describes the mechanical characteristics.

“[Chapter 8: “Compliances”](#)” provides some fundamental information on conformity and compliances.

“[Chapter 11: “Safety Recommendation”](#)” provides some safety recommendations that must be follow by the customer in the design of the application that makes use of the BlueMod+S42.

## 1.5 Text Conventions



**Danger – This information MUST be followed or catastrophic equipment failure or bodily injury may occur.**



**Caution or Warning – Alerts the user to important points about integrating the module, if these points are not followed, the module and end user equipment may fail or malfunction.**



**Tip or Information – Provides advice and suggestions that may be useful when integrating the module.**

All dates are in ISO 8601 format, i.e. YYYY-MM-DD.



## 1.6 Related Documents

- [1] Nordic: nRF52\_Series\_Reference\_Manual
- [2] Nordic: nRF52832\_PS v1.0.pdf (Product Specification)
- [3] BlueMod+S42/Central AT Command Reference, 80512ST10771A
- [4] BlueMod+S42 Software User Guide, 1VV0301318
- [5] UICP\_UART\_Interface\_Control\_Protocol, 30507ST10756A
- [6] BlueMod+S42 Testmode Reference, 80512NT11496A
- [7] Bluetooth SIG Core Specification V4.2



## 2 General Product Description

### 2.1 Feature Summary

- Bluetooth specification V4.2 compliant
- Supports Bluetooth low energy
- Fully qualified Bluetooth V4.2 Single Mode LE
- CE certified
- FCC and IC certified
- Nordic nRF52832 inside
- Fast Connection Setup
- RF output power -20 up to +4dBm EIRP
- RF output power -40dBm EIRP in Whisper Mode
- RSSI detector on board
- High sensitivity design
- Supply voltage range 1,7V to 3,6V
- Internal crystal oscillator (32 MHz)
- LGA Surface Mount type. BlueMod+S42: 17 x 10 x 2.6 mm<sup>3</sup>
- Pin compatible to Telit BlueMod+S BLE and BlueMod+SR dual mode module
- Shielded to be compliant to FCC full modular approval
- Flexible Power Management
- 128-bit AES encryption
- NFC peripheral communication signal interface type A with 106 kbps bit rate
- High-speed UART interface
- I<sup>2</sup>C Master
- SPI Master/Slave interface
- Low power comparator
- Real Time Counter
- Up to 19 digital IO's for individual usage by embedded software
- Up to 8 analog inputs for individual usage by embedded software
- 8/9/10bit ADC
- Arm® Cortex™-M4 core for embedded profiles or application software
- Manufactured in conformance with RoHS2
- Operating temperature -40 ... +85 °C
- Weight: 0,7 g





## 2.2 Applications

The BlueMod+S42 is designed to be used in low power applications, like sensor devices. Some typical applications are described in this chapter.

Supported profiles are:

- Terminal I/O
- GATT based LE-profiles




---

**NOTE:**

**Support for any additional profile is possible on request.**

---

## 2.3 General Cable Replacement

In case there is no standardized application specific profile available the BlueMod+S42 offers Telit's Terminal I/O profile, which allows transparent data transfer over UART and supports Secure Simple Pairing, making the pairing process easy and the connection secure. Terminal I/O is available for iOS and Android as well as implemented in Telit's dual mode module BlueMod+SR.

### 2.3.1 Industry

BlueMod+S42 can be used to monitor and control motors, actuators, valves and entire processes.

### 2.3.2 POS/Advertising

BlueMod+S42 supports iBeacon or similar applications.

### 2.3.3 Healthcare and Medical

Usage of Bluetooth is aimed mainly at devices that are used for monitoring vital data. Typical devices are blood glucose meter, blood pressure cuffs and pulse ox meters. Bluetooth BR/EDR and low energy were chosen by the Continua Health Alliance as transports for interoperable end to end communication.

### 2.3.4 Sports and Fitness

In the sports and fitness segment the BlueMod+S42 is used in devices for positioning as well as monitoring vital data. Typical devices in this market are heart rate monitors, body temperature thermometers, pedometers, cadence meters, altimeter, positioning / GPS tracking and watches displaying information from sensors.



### 2.3.5 Entertainment

Bluetooth technology is already used in a wide variety of devices in the entertainment sector, namely set-top boxes / gaming consoles. BlueMod+S42 is especially suited for use in remote controls, gaming controller and wireless mouse/keyboard applications.

## 2.4 Block Diagram

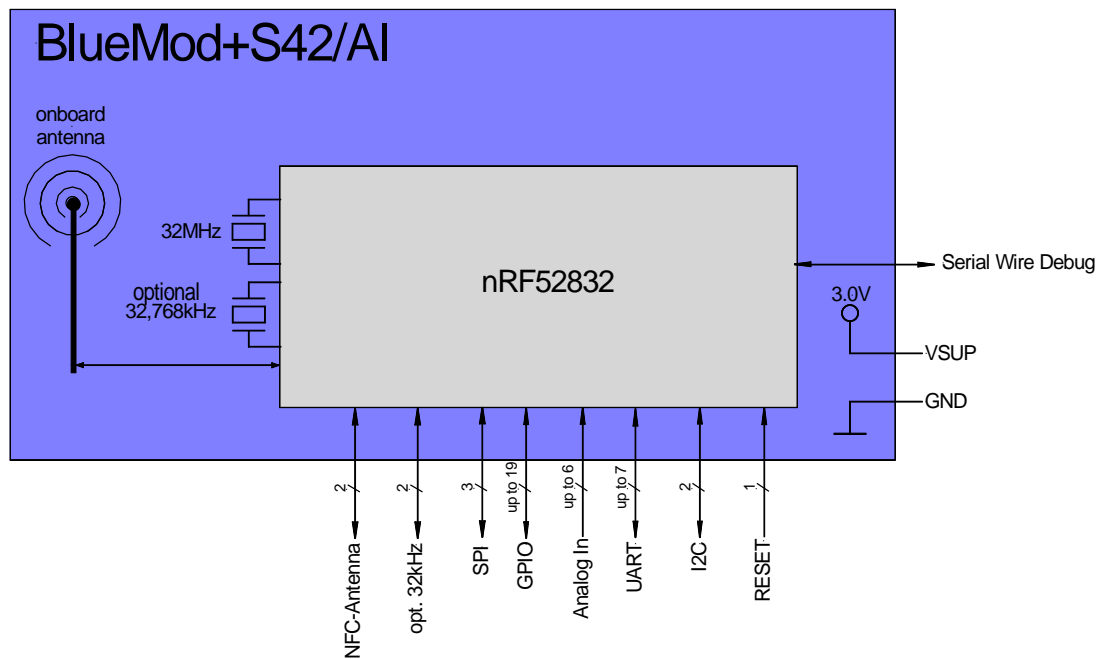


Figure 1: BlueMod+S42/AI Block Diagram



### 3 Application Interface

#### 3.1 Power Supply

BlueMod+S42 require a power supply with the following characteristics:

Typical: 3,0V<sub>DC</sub>, min.: 1,7V<sub>DC</sub>, max.: 3,6V<sub>DC</sub>, thereby delivering > 25 mA peak

BlueMod+S42 is designed to be powered from 3V coin cell batteries e.g. CR2032 directly, or any other power source complying with the given requirements. For optimal performance, a stable supply is recommended. Furthermore, it is recommended to place a capacitor in parallel to the CR2032 3V coin cell battery in order to prolong battery lifetime, by compensating the effects of the rising source resistance of the battery to pulsed loads. Since the isolation resistance of this capacitor will discharge the battery in a not insignificant scale, the capacitor should be chosen under consideration of the following rules:

- capacitance as small as necessary
- nominal voltage as high as possible
- case size as large as possible
- use X7R instead of X5R

In case of using an NFC antenna in conjunction with batteries attend to chapter 3.8.2 Power Back Feeding.

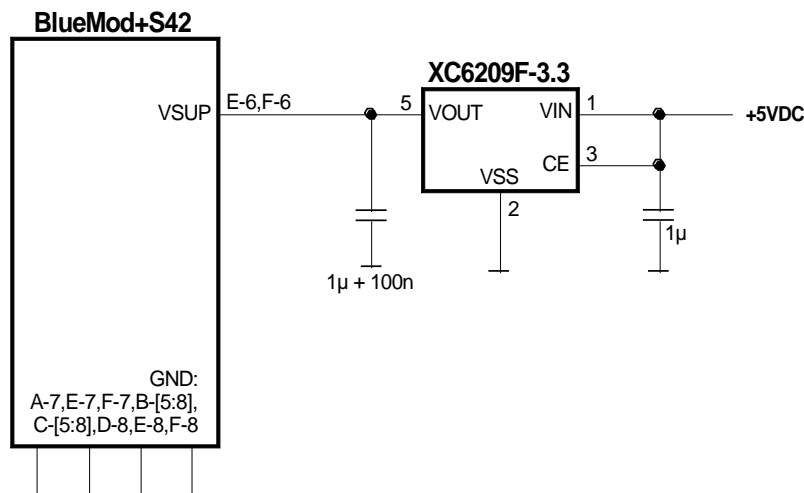


Figure 2: BlueMod+S42 Example Power Supply with LDO



### 3.1.1 Power-up Slew-Rate

Parameter	Min	Max	Unit
VSUP rise time rate <sup>(1)</sup>	0	60	ms

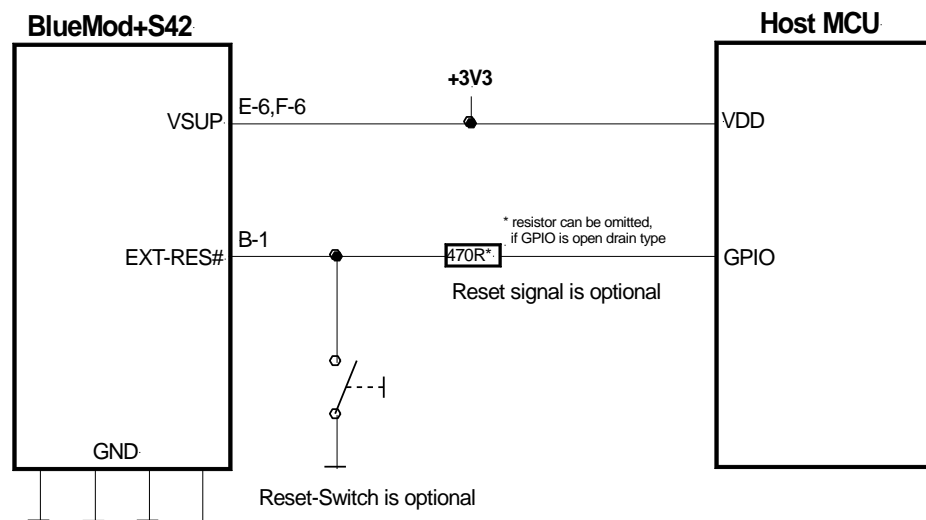
<sup>(1)</sup> 0V to 1,7V

Table 2: Power up Rise Time Requirements

## 3.2 Reset

BlueMod+S42 are equipped with circuitry for generating reset from three sources:

- A reset is held active, when VSUP falls below the threshold of the brownout detector ( $V_{BOR} = 1,2V \dots 1,7V$ ), and is released when VSUP rises above  $V_{BOR} + V_{HYST}$ . The brownout detector also holds the reset active during power up, until  $VSUP > V_{BOR}$ .
- A reset is generated, when VSUP is  $> V_{BOR}$  and increases 300 mV or more, within 300 ms or less.
- By holding pin B-1 (EXT-RES#) at  $\leq VSUP * 0,3V$  for  $t_{HOLDRESETNORMAL} \geq 0,2\mu s$ , an external reset (*pin reset*) is generated. This pin has a fixed internal pull-up resistor ( $R_{PU} = 11k\Omega \dots 16k\Omega$ ). EXT-RES# may be left open if not used.



Please Note: EXT-RES# of BlueMod+S42 has approx. 13k internal pullup.

Figure 3: BlueMod+S42 Example Reset



The following table shows the pin states of BlueMod+S42 during reset active.

Pin Name	State: BlueMod+S42
EXT-RES#	Input with pull-up <sup>(1)</sup>
XL-IN	Input floating (disconnected)
XL-OUT	Input floating (disconnected)
UART-TXD	Input floating (disconnected)
UART-RXD	Input floating (disconnected)
UART-RTS#	Input floating (disconnected) with pull-up resistor 470kΩ <sup>(2)</sup>
UART-CTS#	Input floating (disconnected)
IUR-OUT#	Input floating (disconnected)
IUR-IN#	Input floating (disconnected)
GPIO[0:14]	Input floating (disconnected)
TESTMODE#	Input floating (disconnected)
BOOT0	Input floating (disconnected)
SWDIO	Input with pull-up <sup>(1)</sup>
SWCLK	Input with pull-down <sup>(1)</sup>

<sup>(1)</sup> pull-up, pull-down: R<sub>PU</sub>, R<sub>PD</sub> is typ. 13kΩ (11kΩ to 16kΩ)

<sup>(2)</sup> a discrete resistor is used

Table 3: Pin States during Reset

The pin states as indicated in Table 3 are kept until hardware initialization has started.

### 3.3 Serial Interface

The serial interface of BlueMod+S42 is a high-speed UART interface supporting RTS/CTS flow control and interface-up/down mechanism according to the UICP+ protocol (refer to [5]).

Electrical interfacing is at CMOS levels (defined by VSUP; see chapter 5.4.1).

Transmission speeds are 9600 – 921600 bps and 1Mbps (asynchronous).

Character representation: 8 Bit, no parity, 1 stop bit (8N1).

Hardware flow-control with RTS and CTS (active low).



**NOTE:**

**Transmission speed may be limited by firmware. See corresponding command reference [3] for further information.**



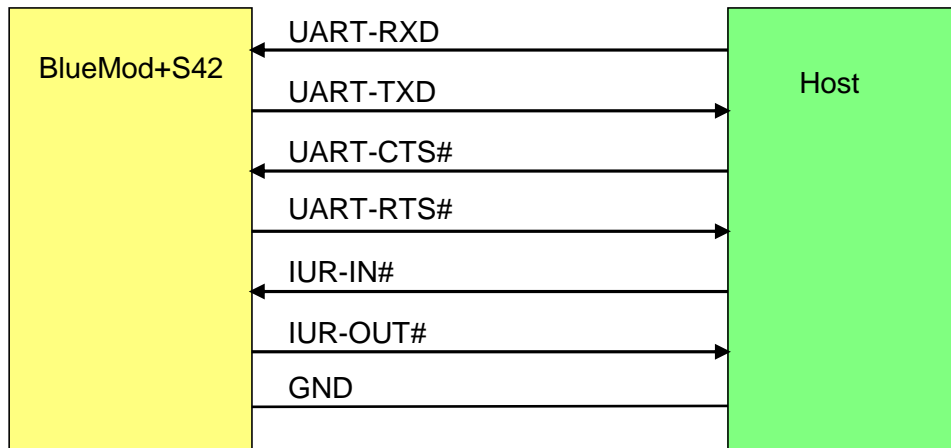


Figure 4: Serial Interface Signals

The basic serial interface (with RTS/CTS flow control) uses only four signal lines (UART-RXD, UART-TXD, UART-CTS#, UART-RTS#) and GND. IUR-IN#, IUR-OUT# and GPIO[4] (see below) can be left unconnected.

A substantially saving of power during idle phases can be achieved (see 5.5.1) when the UICP protocol is used (refer to [5]). This protocol should be implemented on the host side as well. Signals IUR-IN# and IUR-OUT# should be connected to the host (see Figure 4: Serial Interface Signals) and may be mapped to DSR and DTR, if an RS232-style (DTE-type) interface is used (see Figure 6).

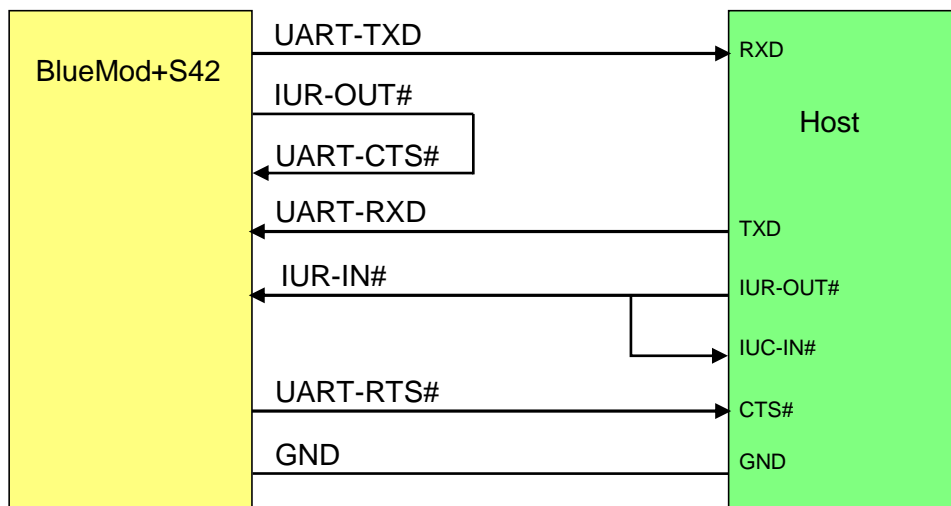


Figure 5: Five Wire Interface supporting UICP (Minimum Signals needed)

Figure 5 shows the minimal configuration to use UICP for both directions RxD and TxD. To use this scheme, the user has to implement UICP on host side for the transmitter only to wake up the BlueMod+S42 receiver.





When using the TIO firmware and applications, call control can be supported by GPIO[4]. Driving GPIO[4] to logic High level during a data transfer phase will “hang up” the connection and disconnect the Bluetooth link. This signal may be mapped to DSR, if an RS232-style (DTE-type) interface is used. Please refer to [3] for a functional specification. GPIO[4] can be left unconnected if this feature is not used.

### 3.3.1 4-Wire Serial Interface

If the host in question is sufficiently fast, a four-wire scheme may be successful. Connect the serial lines UART-RXD, UART-TXD as well as UART-RTS# and GND; leave UART-CTS# open. The host is required to stop sending data within a short time after de-assertion of UART-RTS# (there is room for up to 4 more characters at the time RTS# drops).

**Attention:** UICP has to be deactivated permanently in this configuration, because signal UART-CTS# and IUR-IN# become inputs with no PU or PD if UICP is active. This would cause floating CMOS inputs.



---

**NOTE:**

**It is strongly recommended to use hardware flow control in both directions. Not using flow control can cause a loss of data.**

---



### 3.3.2 UART Example Circuits

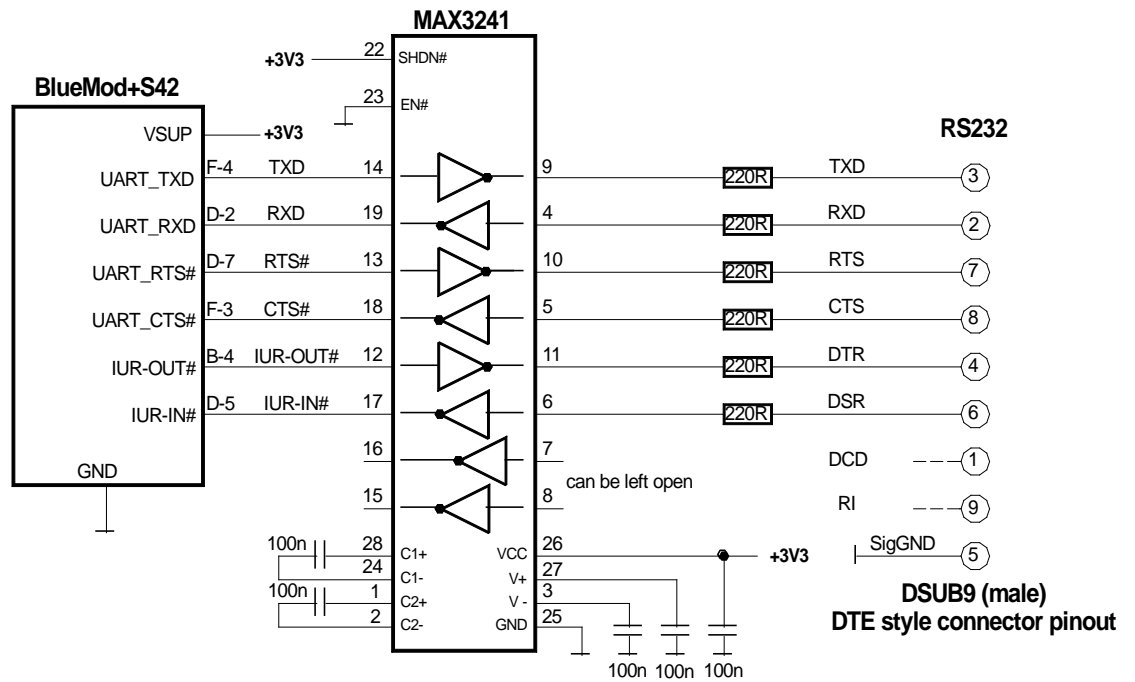


Figure 6: BlueMod+S42 Example Serial Interface (RS-232) Supporting UICP



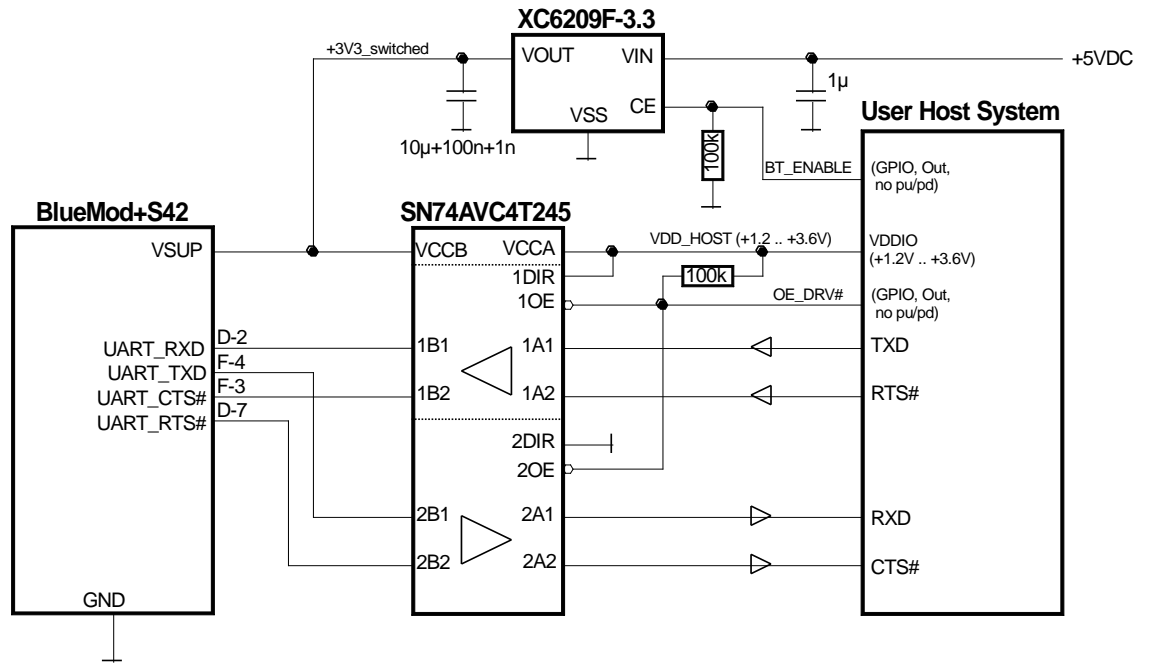


Figure 7: BlueMod+S42 Example Serial Interface (Mixed Signal Level)



### 3.3.3 Baud Rate Deviation

The following table shows the deviation in percent of the standard data rates. The deviation may be caused by the inaccuracy of the crystal oscillator or granularity of the baud rate generator.

Baud Rate nominal	Baud Rate actual	Deviation [%]
9600	9598	-0,02
14400	14401	0,01
19200	19208	0,04
28800	28777	-0,08
38400	38369	-0,08
57600	57554	-0,08
76800	76923	0,16
115200	115108	-0,08
230400	231884	0,64
250000	250000	0,00
460800	457143	-0,79
921600	921176	-0,05

Table 4: Deviation of Baud rates

*Note: The total deviation of sender and receiver shall not exceed 2.5% to prevent loss of data.*

### 3.3.4 Dynamic I/O Signal Type Changes depending on the UICP status

In order to allow customers to use the serial interface with the minimal signal count on the one side and to reduce current consumption when using UICP on the other side, the BlueMod+S42 FW supports the following dynamic I/O signal type changes depending on the UICP activated resp. deactivated status.

Signal	UICP deactivated	UICP activated
UART-CTS#	I-PD	I-FLOAT
IUR-IN#	I-DIS	I-FLOAT
IUR-OUT#	I-DIS	O-PP

Legend: I-PD = Input with pull-down resistor, I-DIS = Input disconnected, I-FLOAT = input floating, O-PP = Output push-pull

Signal types I-PD, I-DIS and O-PP may be left open. I-FLOAT has to be driven to GND or VCC to avoid open CMOS input oscillation.

If UICP is deactivated the pull-down resistor on UART-CTS# helps to keep the serial interface active if UART-CTS# is open.



If UICP is active and the serial interface is down, UART-CTS# has to be held at VCC and thus the pull-down would cause an unwanted permanent current drain. Therefore the pull-down is switched off in this mode.

### 3.4 GPIO Interface

It is possible to use the programmable digital I/Os GPIO[0:14] on the BlueMod+S42. Their behavior has to be defined project specific in the firmware.

Unused GPIO pins shall be left unconnected to stay compatible. There may be functions assigned to some in future versions of the firmware.

### 3.5 I<sup>2</sup>C Interface<sup>1</sup>

The I<sup>2</sup>C bus interface serves as an interface between the internal microcontroller and the serial I<sup>2</sup>C bus. BlueMod+S42 is the master and controls all I<sup>2</sup>C bus specific sequencing, protocol and timing. It supports standard (100kHz) and fast (400kHz) speed modes. The BlueMod+S42 as an I<sup>2</sup>C master must be the only master of the I<sup>2</sup>C bus (no *multimaster* capability). Clock stretching is supported.

GPIO[1]/I2C-SDA and GPIO[0]/I2C-SCL can be used to form an I<sup>2</sup>C interface. It is required to connect 4k7 pull-up resistors on I2C-SCL and I2C-SDA when this interface is used.

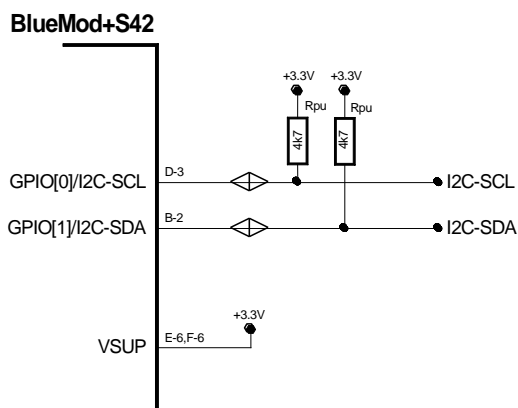


Figure 8: BlueMod+S42 I<sup>2</sup>C Interface

<sup>1</sup> subject to firmware support, contact Telit for current status



## 3.6 SPI Serial Peripheral Interface

The serial peripheral interface (SPI) allows for full-duplex, synchronous, serial communication with external devices. The interface can be configured as the *master* and then provides the communication clock (SCK) to the external slave device(s), or as the *slave*. The SPI Interface supports SPI-modes 0 through 3. Module pins are used as follows:

- GPIO[2]: SPI-MOSI
- GPIO[5]: SPI-MISO
- GPIO[8]: SPI-SCK

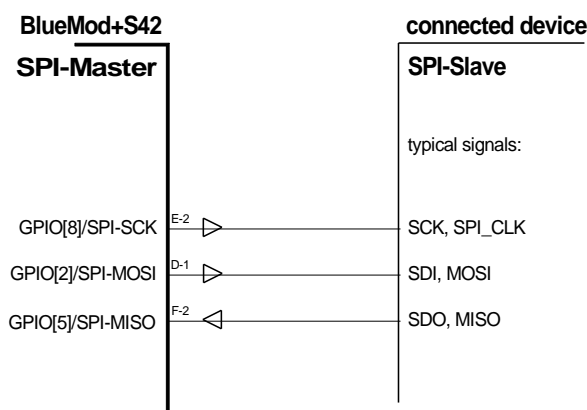


Figure 9: BlueMod+S42 SPI Interface (Example: Master Mode)

## 3.7 Bluetooth Radio Interface

The BlueMod+S42/AI includes an integrated ceramic antenna.

## 3.8 NFC Function

The NFCT peripheral supports communication signal interface type A and 106 kbps bit rate from the NFC Forum.

With appropriate software, the NFC peripheral can be used to emulate the listening device NFC-A as specified by the NFC Forum.

Main features for the NFC peripheral:

- NFC-A listen mode operation
- 13.56 MHz input frequency
- Bit rate 106 kbps
- Wake-on-field low power field detection (SENSE) mode
- Frame assemble and disassemble for the NFC-A frames specified by the NFC Forum





- Programmable frame timing controller
- Integrated automatic collision resolution, CRC and parity functions

### 3.8.1 NFCT Antenna Recommendations

The NFCT antenna coil must be connected differential between NFCANT1 and NFCANT2 pins of BlueMod+S42.

Two external capacitors  $C_{tune1/2}$  connected between the NFCANTx pins and GND should be used to tune the resonance of the antenna circuit to 13.56 MHz.

#### BlueMod+S42

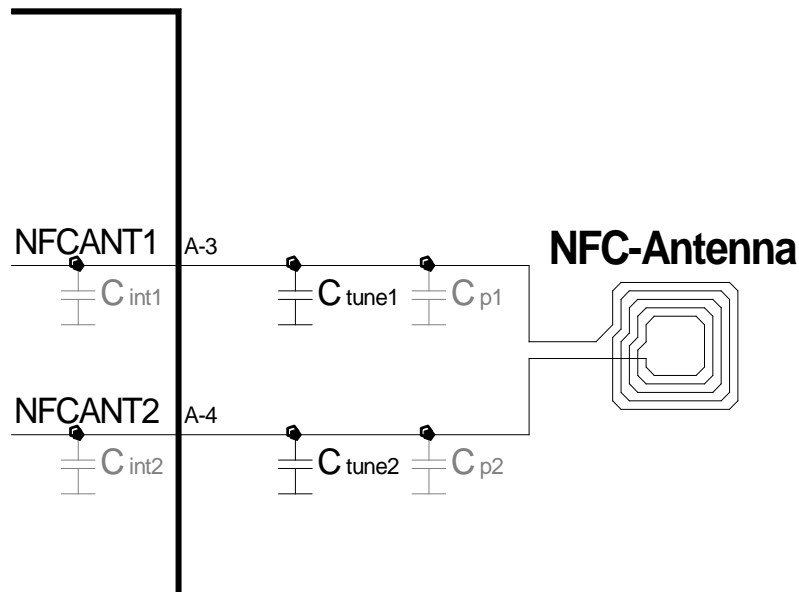


Figure 10: BlueMod+S42 NFC Antenna Tuning

$$C_{tune} = \frac{2}{(2\pi \times 13,56MHz)^2 \times L_{ant}} - C_p - C_{int}$$

$$C_{tune} = C_{tune1} = C_{tune2}$$

$$C_p = C_{p1} = C_{p2} \text{ (antenna track capacitance)}$$

$$C_{int} = C_{int1} = C_{int2} = 4pF$$

### 3.8.2 Power Back Feeding

If the NFC antenna is exposed to a strong NFC field, power back feeding may occur. That means, current may flow in the opposite direction on the supply due to parasitic diodes and ESD structures.

If a battery is used that does not tolerate return current, a series diode must be placed between the battery and the BlueMod+S42 in order to protect the battery. An ultra-low forward voltage schottky diode should be chosen to keep the battery life reduction as small as possible.



### 3.9 Slow Clock Interface

Even though an external slow clock is not required for BLE operation, consumption of power during power-down modes can be reduced by connecting an XTAL (32,768kHz) and two capacitors C1, C2 at pins XL-IN and XL-OUT.

#### 3.9.1 32,768 kHz Crystal Oscillator Specification (32k XOSC)

Symbol	Item	Condition	Limit			Unit
			Min	Typ	Max	
f <sub>NOM</sub>	Crystal Frequency	T <sub>amb</sub> = 25°C		32,768		kHz
f <sub>TOL</sub>	Frequency Tolerance for BLE applications	including temperature and aging <sup>(1)</sup>			+/-250	ppm
C <sub>L</sub>	Load Capacitance				12,5	pF
C <sub>0</sub>	Shunt Capacitance				2	pF
R <sub>S</sub>	Equivalent Series Resistance				100	kΩ
P <sub>D</sub>	Drive Level				1	μW
C <sub>pin</sub>	Input Cap. On XL-IN and XL-OUT			4		pF

<sup>(1)</sup> adjust crystal frequency by choosing correct value for C1, C2 (value depends on C<sub>L</sub> of crystal and layout)

Table 5: 32,768kHz Crystal Oscillator

The module’s firmware will detect the presence of a slow clock during the boot process and switch behavior appropriately.



### 3.9.2 Connection of an External 32,768 kHz Crystal

Connect the 32,768 kHz crystal and two capacitors C1, C2 at pins A-6 (XL-IN) and A-5 (XL-OUT). The crystal has to comply with specifications given in Table 5. The exact value of C1 and C2 depends on the crystal and the stray capacitance of the layout. Select C1, C2 such that the slow clock oscillator operates at the exact frequency at room temperature (25°C). C1 and C2 shall be of equal capacity. The crystal and the capacitors shall be located as close as possible to pins A-5, A-6.

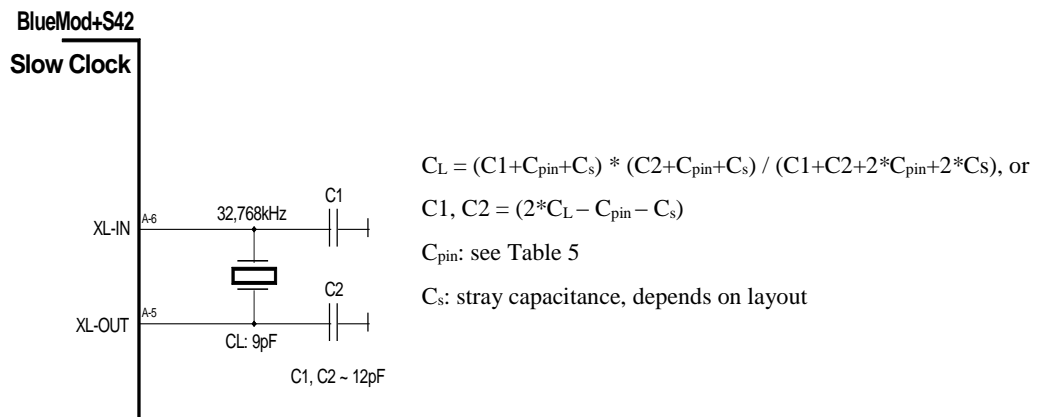


Figure 11: BlueMod+S42 connection of external XTAL

### 3.10 Test Mode

For homologation purposes the ability of test mode operation like “BlueMod+S42 Testmode” or “Direct two wire UART Testmode” (DTM) is mandatory. The Direct Test Mode (as defined by the Bluetooth SIG) and BlueMod+S42 Testmode are part of the BlueMod+S42 firmware. Please refer to [6] and [7].

For enabling the different test modes the BlueMod+S42 provides two IO pins.

- The pin Testmode is low active. Active in the following table means connect to GND.
- The pin Boot0 is high active. Active in the following table means connect to VDD.
- The other two combinations start the bootloader for firmware update of the programmed firmware. These two modes are not scope of this document.

Table 6 shows the possible combinations:

Testmode#	Boot0	Mode
Active	Inactive	Testmode
Active	Active	DTM
Inactive	Active	Bootloader
Inactive	Inactive	Firmware

Table 6: Testmode# / Boot0 Logic



To enter and use BlueMod+S42 Testmode or DTM, access to the following signals is required:

- BOOT0
- TESTMODE#
- UART-RXD
- UART-TXD
- UART-RTS#
- UART-CTS#
- GND

These pins shall be routed to some test pads on an outer layer, but can be left open during normal operation when not used.

Please note the UART is required for operation of test modes. During the homologation process, UART-RXD, UART-TXD, UART-RTS# and UART-CTS# must be freely accessible.

### 3.11 Operating in a Power-Switched Environment

A potential “back feeding” problem may arise, if the module is operated in an environment where its power supply (VSUP) is switched off by the application. This might be done to save some power in times Bluetooth is not needed.

As stated in Table 9, the voltage on any I/O pin must not exceed VSUP by more than 0,3V at any time. Otherwise some current  $I_{INJ}$  flows through the internal protection diodes. This may damage the module (please refer to chapter 5.1 for limits).

There is no problem if the application circuit design and programming can assure that all signals directed towards BlueMod+S42 are set to low ( $U < 0,3V$ ) before and while VSUP is turned off. If this is not guaranteed, at least a series resistor (about 1k) must be inserted into each signal path. This does protect the module but obviously cannot prevent from an unwanted, additional current flow in case of such signal being at high-level. It may be necessary to use driver chips in such applications, that gate off these signals while VSUP is not present.

### 3.12 Serial Wire Debug Interface

The Serial Wire Debug (SWD) interface (signals SWDIO, SWCLK) is normally not used in a customer’s product. It is reserved for debugging purposes.

Leave SWDIO, SWCLK unconnected. Only if you intend to use them for debugging purposes, make them available.



### 3.13 DC/DC Converter

The BlueMod+S42 contains a buck DC/DC converter and an LDO for supplying the radio circuit.

Switching between DC/DC converter and LDO is done automatically based on load to maximize efficiency.

Used with a 3V coin-cell battery, the peak current drawn from the battery is reduced by at least 25% by use of the DC/DC converter.



## 4 Module Pins

### 4.1 Pin Numbering

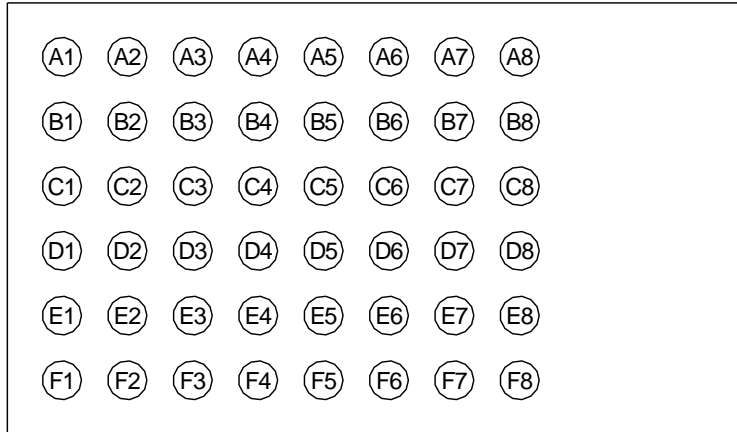


Figure 12: BlueMod+S42 Pin Numbering (Top View)





## 4.2 Pin Description

### 4.2.1 General Pin Description



Type: PU – pull-up; PD – pull-down; PWR – Power; I – Input; O – Output; I/O – bidir.; OD – open drain; PP – push/pull;  
RF: RadioFreq; I-DIS – Input Buffer Disconnected

Pin Name	Signal	Type	Act	Function	Alternate Function	Notes
E-6	VSUP1	PWR		+3,0V nom.		
F-6	VSUP2	PWR		+3,0V nom		
C-1	not connected			none		
A-7, E-7, F-7, B-[5,6,7,8], C-[5,6,7,8], D-8, E-8, F-8	GND	PWR		Ground All GND pins must be connected		
A-8	ANT PIN			none	reserved for ext. antenna	(4,9)
B-1	EXT-RES#	I-PU	L	User Reset		
A-6	XL-IN	I/O		XTAL		
F-4	UART-TXD	O-PP		Serial Data OUT		(6)
D-2	UART-RXD	I		Serial Data IN		(6)
D-7	UART-RTS#	O-PU <sup>(1)</sup>	L	Flow Control/IUC		(1,6)
F-3	UART-CTS#	I-PD	L	Flow Control/IUC		(6,8)
B-4	IUR-OUT#	O-PP	L	UICP Control		(8)
D-5	IUR-IN#	I-DIS	L	UICP Control		(8)
D-3	GPIO[0]	I/O		GPIO	I2C-SCL, AIN7, AREF1	(3,5)
B-2	GPIO[1]	I/O		GPIO	I2C-SDA, AIN6	(3,5)
D-1	GPIO[2]	I/O		GPIO	SPI-MOSI	(3,5)
E-4	GPIO[3]	I/O		GPIO		(3,5)
D-4	GPIO[4]	I/O		GPIO		(3,5)
F-2	GPIO[5]	I/O		GPIO	SPI-MISO, AREF0	(3,5)
C-4	GPIO[6]	I/O		GPIO		(3,5)
C-3	GPIO[7]	I/O		GPIO		(3,5)
E-2	GPIO[8]	I/O		GPIO	SPI-SCK, AIN2	(3,5)
A-3	NFCANT1	RF		NFC-Antenna		
A-1	GPIO[10]	I/O		GPIO		(3,5)
A-4	NFCANT2	RF		NFC-Antenna		
A-2	GPIO[9]	I/O		GPIO		(3,5)
F-1	TESTMODE#	I-PU <sup>(7)</sup>	L	Testmode Enable	AIN3	(6)
E-1	BOOT0	I-PD <sup>(7)</sup>		reserved	AIN4	(6)
E-3	SWDIO	I/O-PU		Serial Wire Debug (data)		
D-6	SWCLK	I-PD		Serial Wire Debug (clock)		
C-2	GPIO[13]	I/O		GPIO		(3,5)
B-3	GPIO[11]	I/O		GPIO	AIN5	(3,5)
A-5	XL-OUT	I/O		XTAL		
F-5	GPIO[14]	I/O		GPIO		(3,5)
E-5	GPIO[12]	I/O		GPIO		(3,5)

Notes:

- <sup>(1)</sup> a discrete pull up resistor is used
- <sup>(3)</sup> function depends on firmware
- <sup>(4)</sup> DNU: Do Not Use, Do Not Connect
- <sup>(5)</sup> GPIO pin. These pins may be programmed as analog-in, i-disconnected, i-float, i-pu, i-pd, o-pp (output push/pull), o-od (output open drain), o-os (output open source) or some alternate function; refer to [1], [2]
- <sup>(6)</sup> signal must be accessible for homologation purposes. Refer to 3.10 Test Mode
- <sup>(7)</sup> signals sampled at startup time. TESTMODE# is I-PU, BOOT0 is I-PD during sampling time only, I-DIS otherwise
- <sup>(8)</sup> Pin Type depends on UICP status. Refer to 3.3.4 Dynamic I/O Signal Type Changes depending on the UICP status
- <sup>(9)</sup> for compatibility to BlueMod+SR this pin is reserved for an external antenna and must be left open

Table 7: General Pin Assignment



## 4.2.2 Application Specific Pin Description

### 4.2.2.1 TIO Pin Configuration

Type: PU – pull-up; PD – pull-down; PWR – Power; I – Input; O – Output; I/O – bidir.; OD – open drain; PP – push/pull;  
RF: RadioFreq; I-DIS – Input Buffer Disconnected

Pin Name	Signal	TIO-Function	Type	Act	Description	Note
E-6	VSUP1	Power	PWR		+3,3V nom.	
F-6	VSUP2	Power	PWR		+3,3V nom	
C-1	not connected					
A-7,E-7,F-7, B-[5,6,7,8], C-[5,6,7,8], D-8, E-8, F-8	GND	GND	PWR		Ground All GND pins must be connected	
A-8	ANT PIN	none			leave open (reserved for ext. antenna)	(4,9)
B-1	EXT-RES#	Reset	I-PU	L	User Reset	
A-6	XL-IN	XTAL			leave open if no ext. XTAL is connected	
F-4	UART-TXD	TXD	O-PP		Serial Data OUT	(6)
D-2	UART-RXD	RXD	I		Serial Data IN	(6)
D-7	UART-RTS#	/RTS	O-PP	L	Flow Control/IUC; refer to [5]	(1,6)
F-3	UART-CTS#	/CTS	I-PD	L	Flow Control/IUC; refer to [5]	(6,8)
B-4	IUR-OUT#	/IUR-OUT	O-PP	L	UICP Control; refer to [5]	(3,8)
D-5	IUR-IN#	/IUR-IN	I	L	UICP Control; refer to [5]	(3,8)
D-3	GPIO[0]	GPIO[0]	I/O		GPIO [I2C-SCL]	(3)
B-2	GPIO[1]	GPIO[1]	I/O		GPIO [I2C-SDA]	(3)
D-1	GPIO[2]	IOC	I/O		GPIO [SPI-MOSI]	(3)
E-4	GPIO[3]	IOB	I/O		GPIO	(3)
D-4	GPIO[4]	HANGUP	I-PD		optional; refer to [3]	
F-2	GPIO[5]	IOD	I/O		GPIO [SPI-MISO]	(3)
C-4	GPIO[6]	reserved	I-DIS		GPIO	(3)
C-3	GPIO[7]	GPIO7	I-DIS		GPIO	(3)
E-2	GPIO[8]	IOA	I/O		GPIO [SPI-SCK] [DEVICE READY#]	(3)
A-3	NFCANT1	NFC	RF			
A-1	GPIO[10]	DNU	I-DIS		leave open	(4)
A-4	NFCANT2	NFC	RF			
A-2	GPIO[9]	DNU	I-DIS		leave open	(4)
F-1	TESTMODE#	reserved	I-PU	L	connect to test pad	(6,7)
E-1	BOOT0	reserved	I-PD		connect to test pad	(6,7)
E-3	SWDIO	reserved	I/O-PU		leave open (Serial Wire Debug)	
D-6	SWCLK	reserved	I-PD		leave open (Serial Wire Debug)	
C-2	GPIO[13]	DNU	I-DIS		leave open	(4)
B-3	GPIO[11]	DNU	I-DIS		leave open	(4)
A-5	XL-OUT	XTAL			leave open if no ext. XTAL is connected	
F-5	GPIO[14]	DNU	I-DIS		leave open	(4)
E-5	GPIO[12]	DNU	I-DIS		leave open	(4)

Notes:

- (1) a discrete pull up resistor is used
- (3) function depends on firmware
- (4) DNU: Do Not Use, Do Not Connect
- (6) signal must be accessible for homologation purposes. Refer to 3.10 Test Mode
- (7) signals sampled at startup time. TESTMODE# is I-PU, BOOT0 is I-PD during sampling time only, I-DIS otherwise
- (8) Pin Type depends on UICP status. Refer to 3.3.4 Dynamic I/O Signal Type Changes depending on the UICP status
- (9) for compatibility to BlueMod+SR this pin is reserved for an external antenna and must be left open



Table 8: Application Specific Pin Assignments, TIO

### 4.3 Handling of Unused Signals

Depending on the application, not all signals of BlueMod+S42 may be needed. The following list gives some hints how to handle unused signals.

EXT-RES#	If no external Reset is needed: Leave open
BOOT0	leave open <sup>(1)</sup>
XL-IN	If no external XTAL is connected: Leave open
XL-OUT	If no external XTAL is connected: Leave open
UART-RXD, UART-TXD	If UART is not used: On UART-RXD, add a pullup (e.g.100kΩ) to VSUP <sup>(1)</sup> ; leave UART-TXD open <sup>(1)</sup>
UART-RTS#, UART-CTS#	If neither flow control nor UICP is used: Leave open <sup>(1)(2)</sup>
IUR-OUT#, IUR-IN#	If UICP is not used: leave open
NFCANT1, NFCANT2	If no NFC antenna is connected: Leave open
TESTMODE#	Leave open <sup>(1)</sup>
unused GPIOs	Leave open
SWDIO, SWCLK	Leave open. Only needed for debug purposes

Please note, to keep compatibility with future feature enhancements, unused signals shall not be connected directly to VSUP or GND. Leave open.

Notes:

<sup>(1)</sup> Signals must be accessible during the homologation process, refer to 3.10 Test Mode.

<sup>(2)</sup> It is strongly recommended to use hardware flow control in both directions.

Not using flow control can cause a loss of data.



## 5 Electrical Characteristics

### 5.1 Absolute Maximum Ratings

Stresses beyond those listed under “Absolute Maximum Ratings” may cause permanent damage to the device. These are stress ratings only and functional operation of the device at these or any other conditions beyond those indicated under “Electrical Requirements” is not implied. Exposure to absolute-maximum-rated conditions for extended periods may affect device reliability.

Item	Symbol	Absolute Maximum Ratings	Unit
Supply voltage	VSUP	-0,3 to +3,9	V
Voltage on any pin	V <sub>Pin</sub>	-0,3 to VSUP+0,3 and <3,9	V
RF input level		10	dBm
NFC antenna pin current	I <sub>NFC1/2</sub>	80	mA

Table 9: Absolute Maximum Ratings

### 5.2 Operating Conditions

T<sub>amb</sub> = 25°C

Item	Condition	Limit			Unit
		Min	Typ	Max	
Supply voltage VSUP	normal mode (DC/DC not enabled)	1,7	3,0	3,6	V <sub>DC</sub>
Supply voltage VSUP	DC/DC mode (DC/DC enabled)	1,7	3,0	3,6	V <sub>DC</sub>
Supply rise time	0V to 1,7V			60	ms

Important: The on-chip power-on reset circuitry may not function properly for rise times longer than the specified maximum.

Table 10: DC Operating Conditions

### 5.3 Environmental Requirements

Item	Symbol	Absolute Maximum Ratings	Unit
Storage temperature range	T <sub>stg</sub>	-40 to +125	°C
Operating temperature range	T <sub>op</sub>	-40 to +85	°C

Table 11: Environmental Requirements





## 5.4 DC Parameter

All Module I/O pins are connected directly to the Nordic nRF52832 chip without signal conditioning except for some pull-up/pull-down resistors (as indicated). Therefore the electrical characteristics are as documented in the Nordic nRF52832 data sheet [2].

### 5.4.1 General Purpose I/O (GPIO)

T<sub>amb</sub> = 25°C

Symbol	Item	Condition	Limit			Unit
			Min	Typ	Max	
V <sub>IL</sub>	Low-Level Input Voltage	VSUP = 1,7 to 3,6V	VSS	-	VSUP * 0,3	V
V <sub>IH</sub>	High-Level Input Voltage	VSUP = 1,7 to 3,6V	VSUP * 0,7	-	VSUP	V
V <sub>OL</sub>	Low-Level Output Voltage	I <sub>OL</sub> = 0,5mA <sup>(1)</sup> I <sub>OL</sub> = 5,0mA <sup>(2), (3)</sup>	VSS VSS	-	VSS + 0,4 VSS + 0,4	V
V <sub>OH</sub>	High-Level Output Voltage	I <sub>OH</sub> = -0,5mA <sup>(1)</sup> I <sub>OH</sub> = -5,0mA <sup>(2), (3)</sup>	VSUP - 0,4 VSUP - 0,4	-	VSUP VSUP	V
I <sub>OL</sub>	Low –Level Output Current	V <sub>OL</sub> ≤ VSS + 0,4V	-	-	-0,5mA <sup>(1)</sup> -5,0mA <sup>(2), (3)</sup>	mA
I <sub>OH</sub>	High-Level Output Current	VSUP-0,3V ≤ V <sub>OH</sub> ≤ VSUP	-	-	0,5mA <sup>(1)</sup> 5,0mA <sup>(2), (3)</sup>	mA
R <sub>PU</sub>	pull-up resistor		11	13	16	kΩ
R <sub>PD</sub>	pull-down resistor		11	13	16	kΩ
C <sub>i</sub>	Pad Capacitance			3,0		pF

<sup>(1)</sup> drive = std

<sup>(2)</sup> drive = hi

<sup>(3)</sup> maximal number of pins (per package) with high drive is 3

Table 12: DC Characteristics, Digital IO







## 5.4.3 Analog Digital Converter (ADC)

### 5.4.3.1 Input Voltage Range

It is very important to configure the ADC, so the input voltage range and the ADC voltage range are matching.

- If the input voltage range is lower than the ADC voltage range, the resolution will not be fully utilized.
- If the input voltage range is higher than the ADC voltage range, all values above the maximum ADC voltage range will be limited to the maximum value, also called the saturation point.

Input voltage range and saturation point depend on the configured ADC reference voltage (see 5.4.4) and the chosen prescaling.

Input Voltage Range = ADC Reference Voltage / Prescaler

Limitation for maximum input voltage is described in 5.4.5.

## 5.4.4 ADC Reference Voltage

ADC Reference voltage can be obtained from:

- Internal band gap reference:  $1,2V \pm 1,5\%$

or

- External reference pin AREF: min. 0,83V typ. 1,2V max. 1,3V

Source Impedance:  $<5k\Omega$



### 5.4.5 Analog ADC Input AIN

When the ADC is not sampling the AIN input pin has very high impedance and can be regarded as open circuit.

Table 14 shows the internal impedance for AIN during sampling for different prescaler settings.

This impedance has to be taken into account when using additional external voltage dividers.

Prescaler	Impedance $R_{AIN}$			Unit
	min.	typ.	Max.	
1 / 1	120	130	140	k $\Omega$
2 / 3	180	195	210	k $\Omega$
1 / 3	365	390	415	k $\Omega$

Table 14: Input Impedance for AIN

Maximum allowed input voltage at AIN:

(Both of the following rules have to be fulfilled)

- The ADC may not be exposed to voltages  $>2,4V$  after the AIN prescaler and
- The AIN pin must not be exposed to voltages  $>VDD + 0,3V$



## 5.5 Power Consumption and Power-Down Modes

### 5.5.1 Terminal I/O Configuration

The following values are typical power consumption values in the different states.

VSUP = 3,0V, T<sub>amb</sub> = 25°C, all GPIOs open, UART inputs at VSUP or GND, SLCK: 32,768 kHz

Condition Radio inactive	Note	Slow clock SLCK	Current Consumption	Unit
			I <sub>Avg</sub>	
Advertising Off, UICP not active or serial interface up		internal Crystal	1,2 1,2	mA
Advertising Off, UICP active, serial interface down	(1)	internal Crystal	9,1 7,3	µA
Device in reset	(2)	any	0,44	mA
System off	(1,2)		1,2	µA

(1) UART-RXD, IUR-IN# and UART-CTS# signals connected to CMOS high level

(2) same current consumption w. internal or external slow clock

Table 15: Supply Current Sleep Modes, no Radio Activity



The following table shows the average power consumption of BlueMod+S42 operating in the peripheral device role.

VSUP = 3,0V, T<sub>amb</sub> = 25°C, all GPIO lines left open, SLCK: 32,768 kHz

Condition Radio active	Note	Slow clock SLCK	Current Consumption		Unit
			Tx power (dBm) <sup>(8)</sup>		
			max (+4)	min (-20)	
			I <sub>Avg</sub>	I <sub>Avg</sub>	
Standby, Advertising on 3 channels, advertising interval: 1,28s, UICP not active or serial interface up	(5)	internal <sup>(7)</sup> ext. Crystal	1,2 1,2	1,2 1,2	mA
Standby, Advertising on 3 channels, advertising interval: 1,28s, UICP active and serial interface down	(1)	internal <sup>(7)</sup> ext. Crystal	17,6 16,0	14,5 12,9	µA
Connected, connection interval: 1,28s, UICP not active or serial interface up, no data traffic	(5)	internal <sup>(7)</sup> ext. Crystal	1,2 1,2	1,2 1,2	mA
Connected, connection interval: 1,28s, UICP active and serial interface down	(1)	internal <sup>(7)</sup> ext. Crystal	10,4 8,7	10,1 8,4	µA
Connected, connection interval: 7,5 ms, no data traffic	(2,3, 6)		1,6	1,5	mA
Connected, connection interval: 7,5 ms, data traffic 115 kbit/s at the serial port, central to peripheral	(2,6, 9)		2,5	2,4	mA
Connected, connection interval: 7,5 ms, data traffic 115 kbit/s at the serial port, peripheral to central	(2,6, 9)		2,2	2,0	mA
Connected, connection interval: 40 ms, no data traffic	(2,4, 6)		1,3	1,3	mA
Connected, connection interval: 37,5 ms, data traffic 115 kbit/s at the serial port, peripheral to central	(2,4, 6,9)		1,6	1,4	mA
<b>Notes</b> <sup>(1)</sup> UART-CTS#, IUR-IN#, UART-RXD driven to CMOS high level, all UART output lines left open <sup>(2)</sup> connection parameters are setup by the central device when connection is established <sup>(3)</sup> no data to be transmitted, central device sends an empty packet (80 bit) peripheral device answers (empty packet: 80 bit) <sup>(4)</sup> these are a typical connection parameters used by an iPhone, iPad or iPad mini device in the central device role <sup>(5)</sup> UART-inputs connected to GND or VSUP; UART output lines left open <sup>(6)</sup> same current consumption w. internal or external slow clock <sup>(7)</sup> RC oscillator internal to nRF52832, periodically trimmed by S-device <sup>(8)</sup> TX power as set by AT command <sup>(9)</sup> Effective Data throughput lower due to flow control in older FW versions → lower current consumption BlueMod+S					

Table 16: Supply Current BLE Terminal I/O Profile, Peripheral Device Role









VSUP = 1,7V to 3,6V, T<sub>amb</sub> = +85°C

Measured conducted according to BT specification RF-PHY.TS/4.0.1

Transmitter	Frequency [GHz]	Min	Typ	Max	BT Spec	Unit
RF transmit Power	2,402		4,0		-20 to +10	dBm
	2,440		4,0			
	2,480		4,0			
ACP	F = F0 ± 2MHz		-45	-20	≤ -30	dBm
	F = F0 ± 3MHz		-50	-40	≤ -30	
	F = F0 ± > 3MHz		<-55	-30	≤ -30	
Frequency Offset		-150	±35	+150	± 150	KHz
Carrier drift rate			10	20	≤ 20	KHz/ 50µs
Carrier drift			20	50	≤ 50	KHz

Table 18: RF Performance BLE Transmitter

### 5.6.3 Antenna-Gain and Radiation Pattern

If BlueMod+S42/AI is integrated into an end product while the recommendations depicted in 6.4 Placement Recommendation are maintained, the following typical antenna radiation patterns can be expected.

Radiation Pattern will depend on the end products PCB size, masses in the antenna environment, housing material and geometrics. Typical antenna gain is about +2dBi.

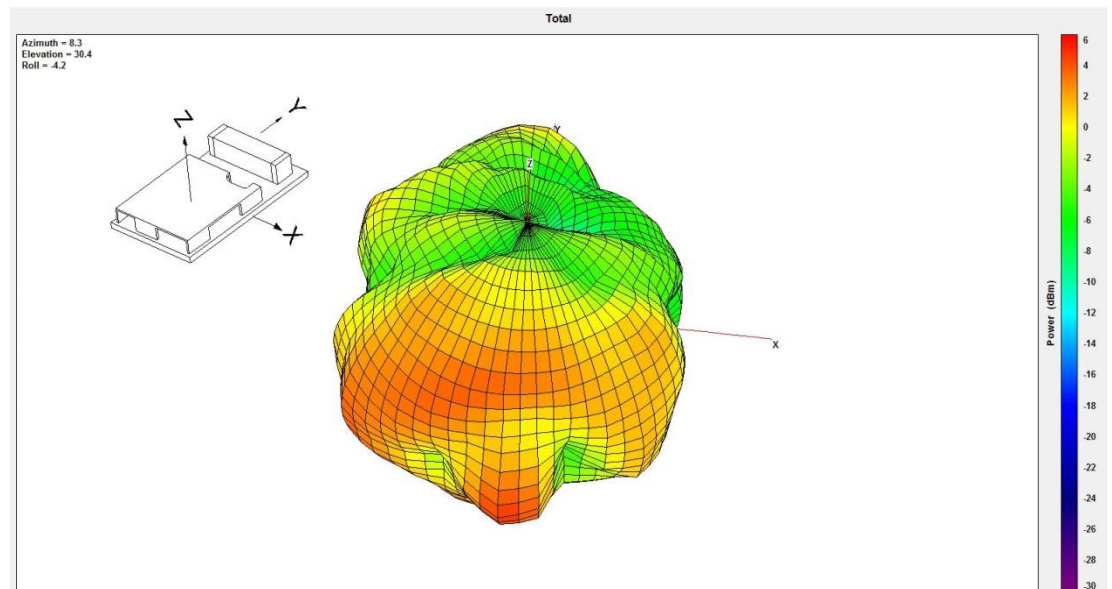


Figure 13: Typical Antenna Radiation Pattern at 2402MHz



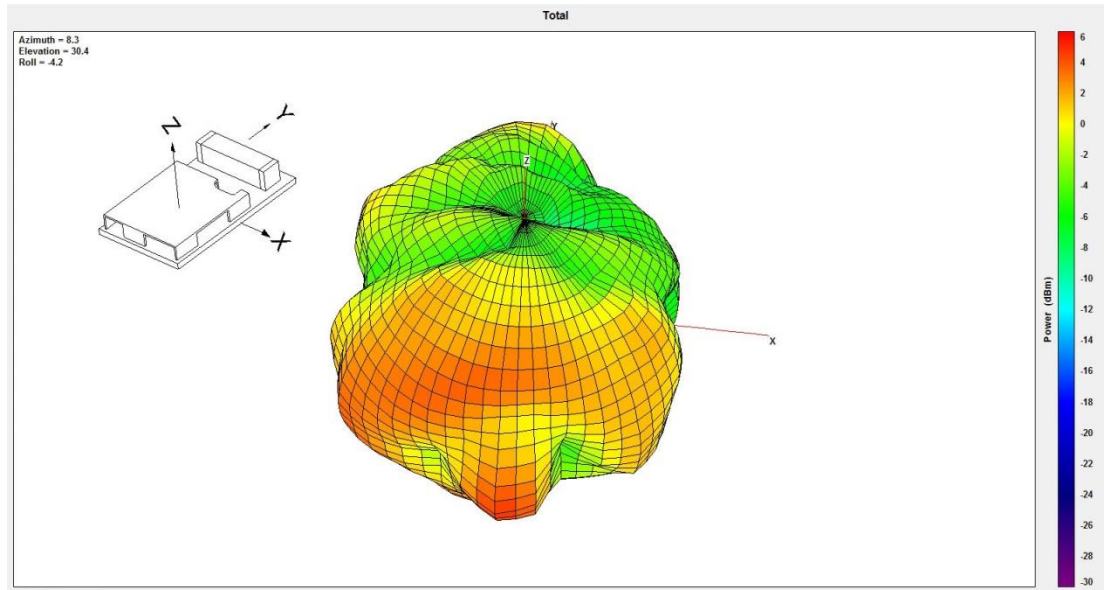


Figure 14: Typical Antenna Radiation Pattern at 2441MHz

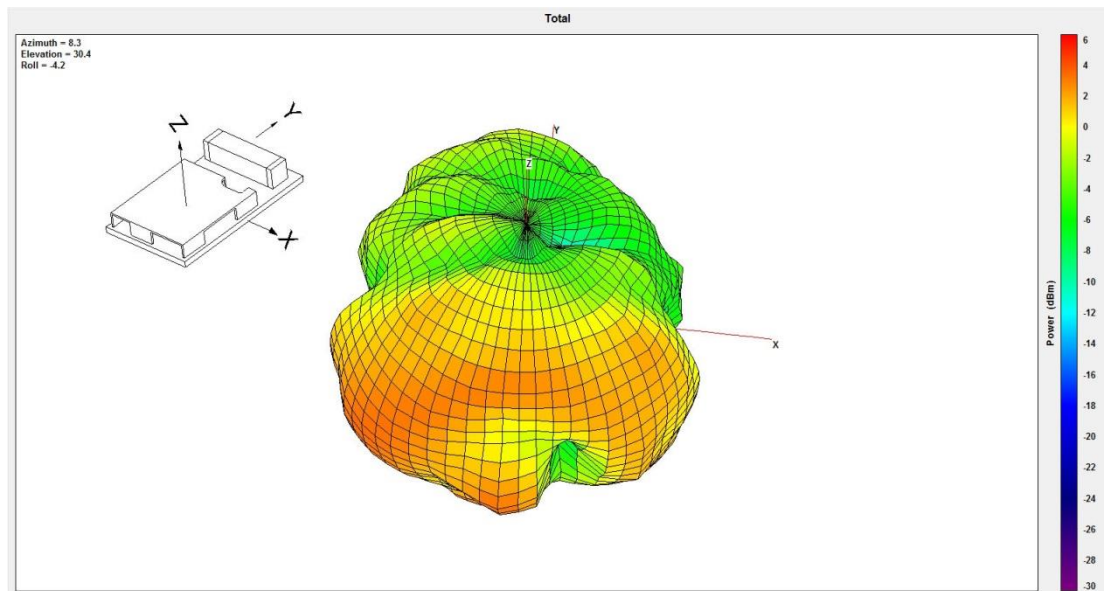


Figure 15: Typical Antenna Radiation Pattern at 2480MHz





## 6 Mechanical Characteristics

### 6.1 Dimensions

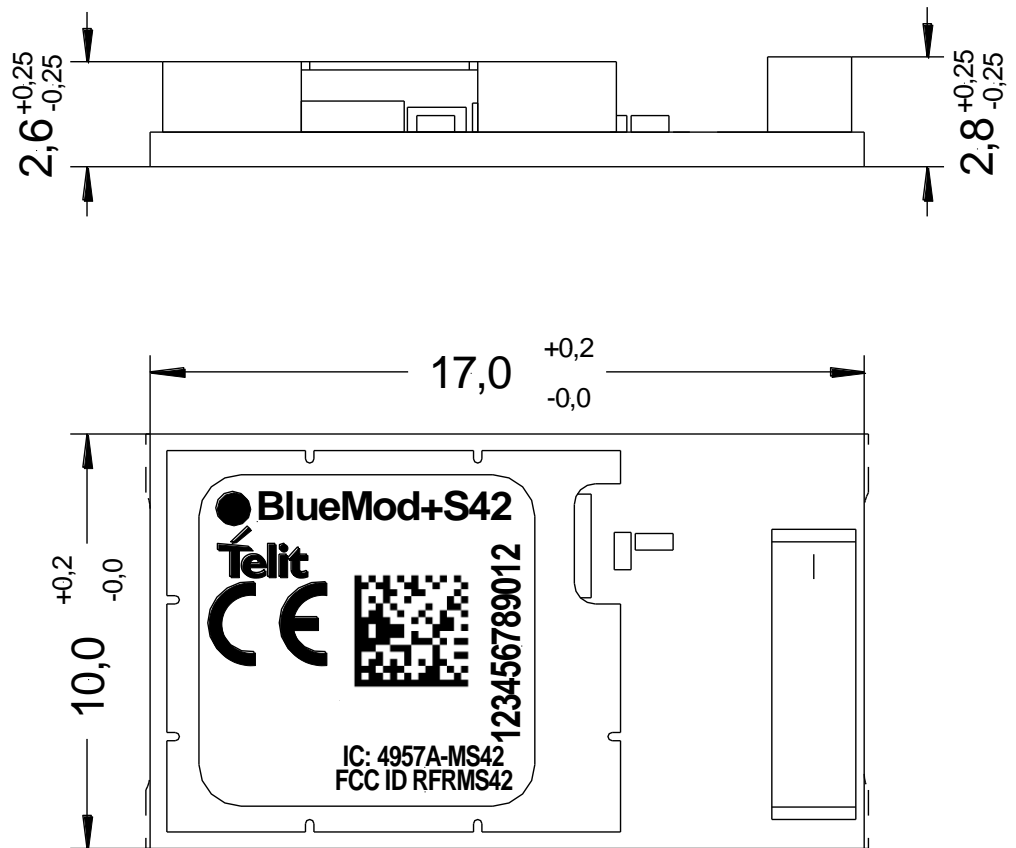


Figure 16: BlueMod+S42/AI Dimensions





## 6.2 Recommended Land Pattern

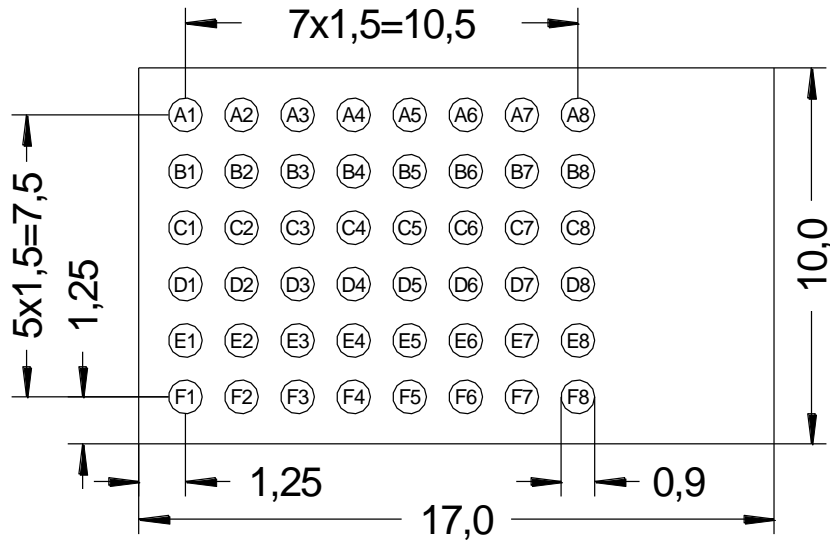


Figure 17: BlueMod+S42 Land Pattern **TOP VIEW**

Note: All dimensions are in mm.

## 6.3 Re-flow Temperature-Time Profile

The data here is given only for guidance on solder and has to be adapted to your process and other re-flow parameters for example the used solder paste. The paste manufacturer provides a re-flow profile recommendation for his product.

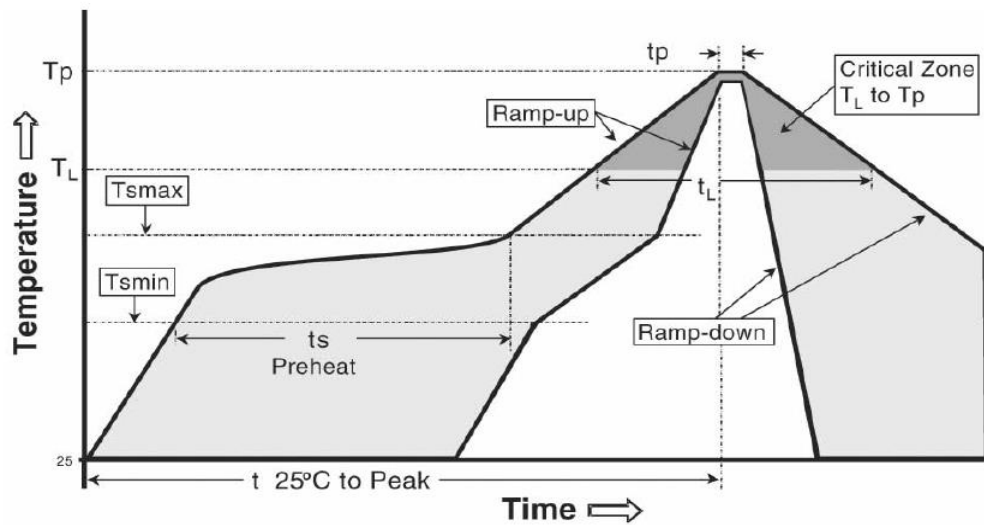


Figure 18: Soldering Temperature-Time Profile (For Reflow Soldering)





Preheat		Main Heat		Peak	
tsmax		tLmax		tpmax	
Temperature	Time	Temperature	Time	Temperature	Time
[°C]	[sec]	[°C]	[sec]	[°C]	[sec]
150	100	217	90	260	10
		230	50		
Average ramp-up rate		[°C / sec]	3		
Average ramp-down rate		[°C / sec]	6		
Max. Time 25°C to Peak Temperature		[min.]	8		

Opposite side re-flow is prohibited due to module weight.

Devices will withstand the specified profile and will withstand up to 1 re-flows to a maximum temperature of 260°C. The reflow soldering profile may only be applied if the BlueMod+S42 resides on the PCB side looking up. Heat above the solder eutectic point while the BlueMod+S42 is mounted facing down may damage the module permanently.

## 6.4 Placement Recommendation

To achieve best radio performance for BlueMod+S42/AI, it is recommended to use the placement shown in Figure 19. This is a ‘‘corner placement’’ meaning the BlueMod+S42/AI is placed such that the antenna comes close to the corner of the application PCB (red area). So, the yellow area is outside the PCB and regards to the housing, too (refer to 6.5).

Please note that for best possible performance the antenna should be directed away from the application PCB as shown in Figure 19.

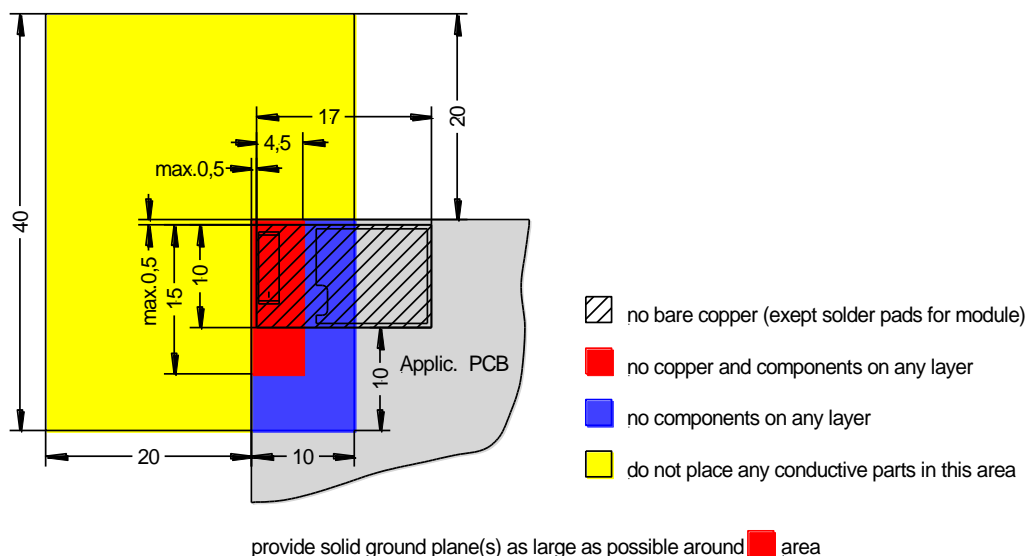


Figure 19: BlueMod+S42/AI Placement Recommendation



## 6.5 Housing Guidelines

The individual case must be checked to decide whether a specific housing is suitable for the use of the internal antenna. A plastic housing must at least fulfill the following requirements:

- Non-conductive material, non-RF-blocking plastics
- No metallic coating
- ABS is suggested

## 6.6 Antenna Issues

BlueMod+S42/AI comprises a ceramic antenna which as a component is soldered to the circuit board. This solution is functional for a BlueMod+S42/AI integrated into a plastic housing.

The performance of the antenna has to be checked within the final integration environment. Adjacent PCBs, components, cables, housings etc. could otherwise influence the radiation pattern or be influenced by the radio wave energy. It must be ensured that the antenna is not co-located or operating in conjunction with any other antennas, transmitters, cables or connectors.

## 6.7 Safety Guidelines

According to SAR regulation EN 62479:2010 the BlueMod+S42 is not intended to be used in close proximity to the human body. Please refer to above-mentioned regulation for more specific information.

In respect to the safety regulation EN60950-1: 2006 + A11: 2009 + A1: 2010 + AC: 2011 all conductive parts of the BlueMod+S42 are to be classified as SELV circuitry. OEM's implementing the BlueMod+S42 in their products should follow the isolation rules given in regulation EN 60950-1: 2006.

The PCB material of the BlueMod+S42 is classified UL-94V0.

## 6.8 Cleaning

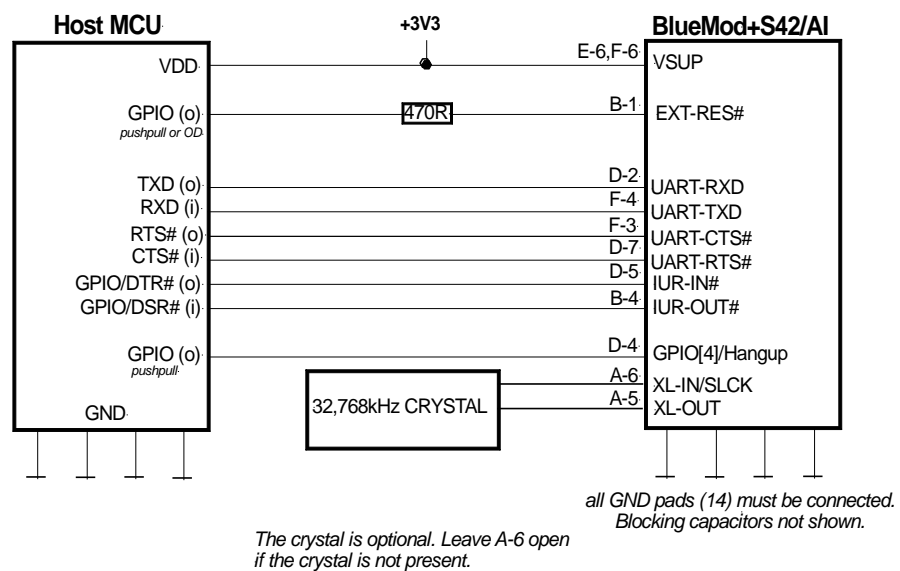
In general, cleaning the modules mounted on the host board is strongly discouraged. Residues between module and host board cannot be easily removed with any cleaning method.

- Cleaning with water or any organic solvent can lead to capillary effects where the cleaning solvent is absorbed into the gap between the module and the host board. The combination of soldering flux residues and encapsulated solvent could lead to short circuits between conductive parts. The solvent could also damage any labels.
- Ultrasonic cleaning could damage the module permanently. Especially for crystal oscillators the risk of damaging is very high.



## 7 Application Diagram

The following schematic shows a typical application of BlueMod+S42. The module is connected to some MCU running the application layer. MCU and BlueMod+S42 use the same 3,3V power supply. The serial interface has RTS/CTS flow control and UICP support in this example. The optional hangup feature to close down the link is provided. As an option to save power an external slow clock crystal may be used. The 32,768kHz crystal can be placed on customers HW or may be optionally on module. Contact Telit sales. All other module pins may be left unconnected.



In this example BlueMod+S is connected to an MCU supporting UICP, RTS/CTS flow control and Hangup. The slow clock oscillator (32,768kHz) is optional; it helps to save power during power down states.

Figure 20: Typical Application Schematics



## 8 Compliances

The BlueMod+S42/AI has been tested to comply to the appropriate EU, FCC, IC and KCC directives.

CE testing is intended for end products only. Therefore CE testing is not mandatory for a Bluetooth Module sold to OEM's. However Telit provides CE tested Modules for customers in order to ease CE compliance assessment of end products and to minimize test effort.

### 8.1 Declaration of Conformity CE

The BlueMod+S42/AI fully complies with the essential requirements of the following EU directives:

- R&TTE 1999/5/EC
- RoHS 2011/65/EC

The actual version of EU Declaration of Conformity (EU DoC) can be downloaded from the Telit Download Zone:

<http://www.telit.com/download-zone/>

Take note that you have to register to get access to the Download Zone.

### 8.2 FCC Compliance

The BlueMod+S42/AI has been tested to fulfill the FCC requirements. Test reports are available on request. Grants of the Full Modular Approval is shown below.



## 8.2.1 FCC Grant

**TCB**

GRANT OF EQUIPMENT  
AUTHORIZATION  
Certification  
Issued Under the Authority of the  
Federal Communications Commission  
By:

**TCB**

Telit Wireless Solutions GmbH  
Mendelssohnstrasse 15  
Hamburg, 22761  
Germany

CETECOM ICT Services GmbH  
Untertuerkheimer Strasse 6-10  
66117 Saarbruecken,  
Germany

Date of Grant: 09/08/2016  
Application Dated: 09/08/2016

Attention: Jens Jensen

**NOT TRANSFERABLE**

EQUIPMENT AUTHORIZATION is hereby issued to the named GRANTEE, and is VALID ONLY for the equipment identified hereon for use under the Commission's Rules and Regulations listed below.

FCC IDENTIFIER: RFRMS42  
Name of Grantee: Telit Wireless Solutions GmbH  
Equipment Class: Digital Transmission System  
Notes: Bluetooth LE Module  
Modular Type: Single Modular

<u>Grant Notes</u>	<u>FCC Rule Parts</u>	<u>Frequency Range (MHZ)</u>	<u>Output Watts</u>	<u>Frequency Tolerance</u>	<u>Emission Designator</u>
	15C	2402.0 - 2480.0	0.0029		

Output Power listed is peak conducted.





## 8.2.2 FCC Statement

This device complies with 47 CFR Part 2 and Part 15 of the FCC Rules and with.

Operation is subject to the following two conditions:

- (1) this device may not cause harmful interference, and
- (2) this device must accept any interference received, including interference that may cause undesired operation.

## 8.2.3 FCC Caution




---

**WARNING:**

*Changes or modifications made to this equipment not expressly approved by Telit may void the FCC authorization to operate this equipment.*

---

## 8.2.4 FCC Warning

This equipment has been tested and found to comply with the limits for a Class B digital device, pursuant to Part 15 of the FCC Rules. These limits are designed to provide reasonable protection against harmful interference in a residential installation. This equipment generates, uses and can radiate radio frequency energy and, if not installed and used in accordance with the instructions, may cause harmful interference to radio communications. However, there is no guarantee that interference will not occur in a particular installation. If this equipment does cause harmful interference to radio or television reception, which can be determined by turning the equipment off and on, the user is encouraged to try to correct the interference by one or more of the following measures:

- Reorient or relocate the receiving antenna.
- Increase the separation between the equipment and receiver.
- Connect the equipment into an outlet on a circuit different from that to which the receiver is connected.

Consult the dealer or an experienced radio/TV technician for help.

## 8.2.5 FCC RF-exposure Statement

The BlueMod+S42/AI complies with the FCC/IC RF radiation exposure limits set forth for an uncontrolled environment.

The output power is < 10mW *EIRP* and therefore according to “FCC KDB 447498 D01 General RF Exposure Guidance v05” Appendix A, table “SAR Exclusion Threshold”, excluded from SAR testing for test separation distances  $\geq 5$ mm and if it is not used in co-locations with other antennas. If the product implementing the BlueMod+S42/AI has other antennas in co-location or separation distances < 5mm an FCC TCB should be asked for a Class II Permissive Change.





## 8.2.6 FCC Labeling Requirements for the End Product

Any End Product integrating the BlueMod+S42/AI must be labeled with at least the following information:

This device contains transmitter with

FCC ID: RFRMS42

IC: 4957A-MS42

## 8.3 IC Compliance

The BlueMod+S42/AI has been tested to fulfill the IC requirements. Test reports RSS-210 of Industry Canada are available on request. Grant of the Full Modular Approval is shown below.



8.3.1

IC Grant

TECHNICAL ACCEPTANCE CERTIFICATE  
Canada

**CETECOM**™

CETECOM ICT Services GmbH  
CAB Identification Number DE001  
Bundesnetzagentur  
authorized by the German Government  
to act as CAB (Conformity Assessment Body)  
in accordance with the MRA/EU-Canada  
of 1st November 1998.  
BNetzA-CAB-03/22-51

**Certificate Holder**      **Telit Wireless Solutions GmbH**  
Mendelssohnstrasse 15d  
22761 Hamburg  
Germany

**IC Certification Number**      **4957A-MS42**

**Product Description**      **Bluetooth LE Module**

**CETECOM Registration No.**      **1540**

**OATS Facility**      **CETECOM ICT Services GmbH**  
Untertuerkheimer Str. 6 -10  
66117 Saarbruecken  
Germany  
Phone: +49 681 598-0  
Fax: +49 681 598-8775  
Email:

**OATS Facility ID**      **3462C-1**

*Certification of equipment means only that the equipment has met the requirements of the above-noted specification. License applications, where applicable to use certified equipment, are acted on accordingly by the Industry Canada issuing office and will depend on the existing radio environment, service and location of operation. This certificate is issued on condition that the holder complies and will continue to comply with the requirements and procedures issued by Industry Canada. The equipment for which this certificate is issued shall not be manufactured, imported, distributed, leased, offered for sale or sold unless the equipment complies with the applicable technical specifications and procedures issued by Industry Canada.*

*La certification du matériel signifie seulement que le matériel a satisfait aux exigences de la norme indiquée ci-dessus. Les demandes de licences nécessaires pour l'utilisation du matériel certifié sont traitées en conséquence par le bureau de délivrance d'Industrie Canada et dépendent des conditions radio ambiantes, du service et de l'emplacement d'exploitation. Le présent certificat est délivré à la condition que le titulaire satisfasse et continue de satisfaire aux exigences et aux procédures d'Industrie Canada. Le matériel à l'égard duquel le présent certificat est délivré ne doit pas être fabriqué, importé, distribué, loué, mis en vente ou vendu à moins d'être conforme aux procédures et aux spécifications techniques applicables publiées par Industrie Canada.*

*I hereby attest that the subject equipment was tested and found in compliance with the above-noted specification.  
J'atteste par la présente que le matériel a fait l'objet d'essai et jugé conforme à la spécification ci-dessus.*

Place, date of issue  
**Saarbrücken, 09/08/2016**

**CETECOM ICT Services GmbH**

cn=Gerald Schmidt, o=CETECOM  
ICT Services GmbH,  
ou=SCT-130201,  
email=gerald.schmidt@cetecom.  
com, c=DE  
2016.09.08 14:40:58 +02'00'




Telecommunication Certification Body

*This certificate becomes valid when published in REL at :  
Le présent certificat n'entre en vigueur qu'après être publié en REL sur :*  
<https://sms-sqs.ic.gc.ca/equipmentSearch/searchRadioEquipments>

CETECOM ICT Services GmbH - Untertuerkheimer Str. 6-10  
DE 66117 Saarbruecken - TCB@cetecom.com - www.cetecom.com



**TECHNICAL ACCEPTANCE CERTIFICATE**  
Canada

**Product Marketing Name** BlueMod+S42  
**HardwareVersion ID No.** BlueMod+S42  
**Firmware Version ID No.** -/  
**Host Marketing Name** -/  
  
**Equipment Categories** Modular Approval  
 Bluetooth Device  
  
**Standards & Specifications** RSS-247, Issue 1, May 2015  
  
**Antenna Information** Integrated Antenna

Frequency Range	Emission Designator	RF Power or Field Strength	Remark
2402 - 2480 MHz	1M05FXD	0.0029 W	

CETECOM ICT Services GmbH - Untertuerkheimer Str. 6-10  
 DE 66117 Saarbruecken - TCB@cetecom.com - www.cetecom.com

This certificate becomes valid when published in REL at :  
 Le présent certificat n'entre en vigueur qu'après être publié en REL sur :  
<https://sms-sgs.ic.gc.ca/equipmentSearch/searchRadioEquipments>



### 8.3.2 IC Statement

(i) Ce dispositif doit être installé et exploité dans une enceinte entièrement fermée afin de prévenir les rayonnements RF qui pourraient autrement perturber la navigation aéronautique. L'installation doit être effectuée par des installateurs qualifiés, en pleine conformité avec les instructions du fabricant.

(ii) Ce dispositif ne peut être exploité qu'en régime de non-brouillage et de non-protection, c'est-à-dire que l'utilisateur doit accepter que des radars de haute puissance de la même bande de fréquences puissent brouiller ce dispositif ou même l'endommager. D'autre part, les capteurs de niveau à propos desquels il est démontré qu'ils perturbent une exploitation autorisée par licence de fonctionnement principal doivent être enlevés aux frais de leur utilisateur.

This device complies with Industry Canada license-exempt RSS standard(s).  
Operation is subject to the following two conditions:

- (1) this device may not cause interference, and
- (2) this device must accept any interference, including interference that may cause undesired operation of the device.

**NOTICE:**

This Class B digital apparatus complies with Canadian ICES-003.

Cet appareil numérique de la classe B est conforme à la norme NMB-003 du Canada.

### 8.3.3 IC Caution



**WARNING:**

*Changes or modifications made to this equipment not expressly approved by Telit may void the IC authorization to operate this equipment.*

### 8.3.4 IC RF-exposure Statement

This equipment is portable device. According to RSS-102 Issue 5 §2.5.1 Exemption Limits for Routine Evaluation – SAR Evaluation Table 1, the allowed distances to the human body for products implementing the BlueMod+S42 can be calculated as follows. If the intended use of the end product asks for smaller distances a SAR evaluation has to be made with the end product.

- Max. RF output power: Occurs at -40°C at 2402MHz to 2480MHz with +6dBm
- Antenna peak Gain is +2dBi
- Resulting max. RF output power is +8dBm = 6,3mW < 7mW



- Table 1 of RSS-102 Issue 5 §2.5.1 shows that for 2450MHz the distance at 7mW should be  $\geq 10$ mm

### 8.3.5 IC Labeling Requirements for the End Product

Any end product integrating the BlueMod+S42/AI must be labeled with at least the following information:

This device contains transmitter with

FCC ID: RFRMS42

IC-ID: 4957A-MS42

### 8.3.6 IC Label Information BlueMod+S42

The BlueMod+S42 shows IC-ID on the product label,

Model: BlueMod+S42

The IC-ID is: 4957A-MS42





## 8.4 KC Certification

BlueMod+S42/AI is certified in Korea under the Clause 2, Article 58-2 of Radio Waves Act.

### 8.4.1 KC Certificate

방송통신기자재등의 적합인증서 <i>Certificate of Broadcasting and Communication Equipments</i>	
상호 또는 성명 <i>Trade Name or Applicant</i>	Telit Wireless Solutions GmbH
기자재 명칭 <i>Equipment Name</i>	특정소출력 무선기기(무선데이터통신시스템용 무선기기)
기본모델명 <i>Basic Model Number</i>	BlueMod+S42
파생모델명 <i>Series Model Number</i>	
인증번호 <i>Certification No.</i>	MSIP-CRM-RFQ-BlueModS42
제조사/제조국가 <i>Manufacturer/ Country of Origin</i>	Telit Wireless Solutions GmbH / 중국
인증연월일 <i>Date of Certification</i>	2016-12-06
기타 <i>Others</i>	
위 기자재는 「전파법」 제58조의2 제2항에 따라 인증되었음을 증명합니다. It is verified that foregoing equipment has been certificated under the Clause 2, Article 58-2 of Radio Waves Act.	
2016년(Year) 12월(Month) 06일(Date)	
국립전파연구원 Director General of National Radio Research Agency	
	
※ 인증 받은 방송통신기자재는 반드시 "적합성평가표시" 를 부착하여 유통하여야 합니다. 위반시 과태료 처분 및 인증이 취소될 수 있습니다.	





## 8.4.2 KC Mark



상호: **Telit Wireless Solutions GmbH**  
기자재명칭: 특정소출력 무선기기  
모델명: **BlueMod+S42**  
제조년월: **2016년12월**  
제조사: **Telit Wireless Solutions GmbH**  
제조국가: 중국

**MSIP-CRM-RFQ-BlueModS42**



## 8.5 Bluetooth Qualification

The BlueMod+S42 is a qualified design according to the Bluetooth Qualification Program Reference Document (PRD) V2.3.

The Declaration ID is:

**D032121**

The Qualified Design ID is:

**88139**

For further information about marking requirements of your product attention should be paid the Bluetooth Brand Usage Guide at

<https://www.bluetooth.org/en-us/bluetooth-brand/bluetooth-brand>

According to the Bluetooth SIG rules (Bluetooth Declaration Process Document – DPD) you must complete a Product Listing and Declaration of Compliance (DoC) referencing the Qualified Design (QDID) for your product. For further information see [www.Bluetooth.org](http://www.Bluetooth.org) or contact Telit.

## QDL Bluetooth® qualified design listing

### The Bluetooth SIG Hereby Recognizes

**Telit Wireless Solutions GmbH**

Member Company

**BlueMod+S42**

Qualified Design Name

Declaration ID: **D032121**

Qualified Design ID: **88139**

Specification Name: **4.2**

Project Type: **End Product**

Model Number: **Mod+S42**

Listing Date: **23 September 2016**

Assessment Date: **22 September 2016**

Hardware Version Number:

Software Version Number:

This certificate acknowledges the *Bluetooth*® Specifications declared by the member are achieved in accordance with the Bluetooth Qualification Process as specified within the Bluetooth Specifications and as required within the current PRD



## 8.6 RoHS Declaration

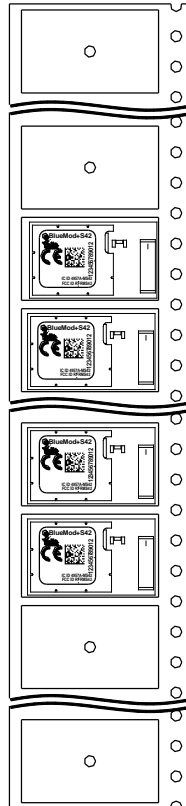
RoHS evaluation is in progress.



## 9 Packing

The BlueMod+S42 modules are packed using carrier tape.

15 Leertaschen Nachspann pro Verpackungseinheit/  
15 empty pockets as trailer per packing unit



25 Leertaschen Vorspann pro Verpackungseinheit/  
25 empty pockets as leader per packing unit



Abzugrichtung von der Rolle/  
pull off direction from reel





## 10 Ordering Information

### 10.1 Part Numbers

BlueMod+S42 is available in the following variants:

Name	Antenna	Firmware Version	Order No.	MOQ / units	Comments
BlueMod+S42/AI/Central	Internal	3.xxx	53346-xx	tbd	
BlueEva+S42/Central	Internal	3.xxx	53352-xx	1	Evaluation Kit

Other variants on request, please contact Telit sales department.

### 10.2 Standard Packing Unit

The standard packing units are 1000 pieces on Tape and Reel.

### 10.3 Evaluation Kit

The kit BlueEva+S42 is available to evaluate functionality and start your firmware implementation.





# 11 Safety Recommendations

## READ CAREFULLY

Be sure the use of this product is allowed in the country and in the environment required. The use of this product may be dangerous and has to be avoided in the following areas:

Where it can interfere with other electronic devices in environments such as hospitals, airports, aircrafts, etc.

Where there is risk of explosion such as gasoline stations, oil refineries, etc. It is responsibility of the user to enforce the country regulation and the specific environment regulation.

Do not disassemble the product; any mark of tampering will compromise the warranty validity. We recommend following the instructions of the hardware user guides for a correct wiring of the product. The product has to be supplied with a stabilized voltage source and the wiring has to be conforming to the security and fire prevention regulations. The product has to be handled with care, avoiding any contact with the pins because electrostatic discharges may damage the product itself.

The system integrator is responsible of the functioning of the final product; therefore, care has to be taken to the external components of the module, as well as of any project or installation issue, because the risk of disturbing external devices or having impact on the security. Should there be any doubt, please refer to the technical documentation and the regulations in force. Every module has to be equipped with a proper antenna with specific characteristics. The antenna has to be installed with care in order to avoid any interference with other electronic devices and has to guarantee a minimum distance from the body (20 cm). In case of this requirement cannot be satisfied, the system integrator has to assess the final product against the SAR regulation.

The European Community provides some Directives for the electronic equipments introduced on the market. All the relevant information's are available on the European Community website:

<http://ec.europa.eu/enterprise/sectors/rte/documents/>

The text of the Directive 99/05 regarding telecommunication equipments is available, while the applicable Directives (Low Voltage and EMC) are available at:

<http://ec.europa.eu/enterprise/sectors/electrical/>



## 12 Document History

Revision	Date	Changes
0	2016-07-16	First preliminary issue
1	2016-08-12	Fixed wrong chapter numbers Add picture to chapter 3.9.2 Connection of an External 32,768 kHz Crystal Added Tx power and Rx sensivity values at +25 °C Added some power consumption values Removed all references to extern SCLK signal
2	2016-08-22	Added associated Telit ref numbers in related documents list Chap. 2.1: Corrected value from -30dBm to -20dBm for power control range and added Whisper Mode with -40dBm Chap. 2.4: Added new block diagram with 32MHz crystal and optional 32,768kHz crystal Chap. 6.1: Added new label to drawing Chap. 7: Additionally 32,768kHz signal feeding option removed, only 32,768 crystal possible with nRF52832 Chap. 8: Formatting header 2 corrected, FCC and IC ID's added (multiple times), progress notes added for CE, FCC, IC, KCC, BTSIG, RoHS
3	2016-09-30	Chapter 5.6 RF Performance revised, Chapter 5.5 Power Consumption and Power-Down Modes revised, Chapter 8 Compliances revised, Chapter 9.4 MSL added
4	2016-12-14	Figure 16 module height changed to worst case values Chapter 8.4 KC Certification added

