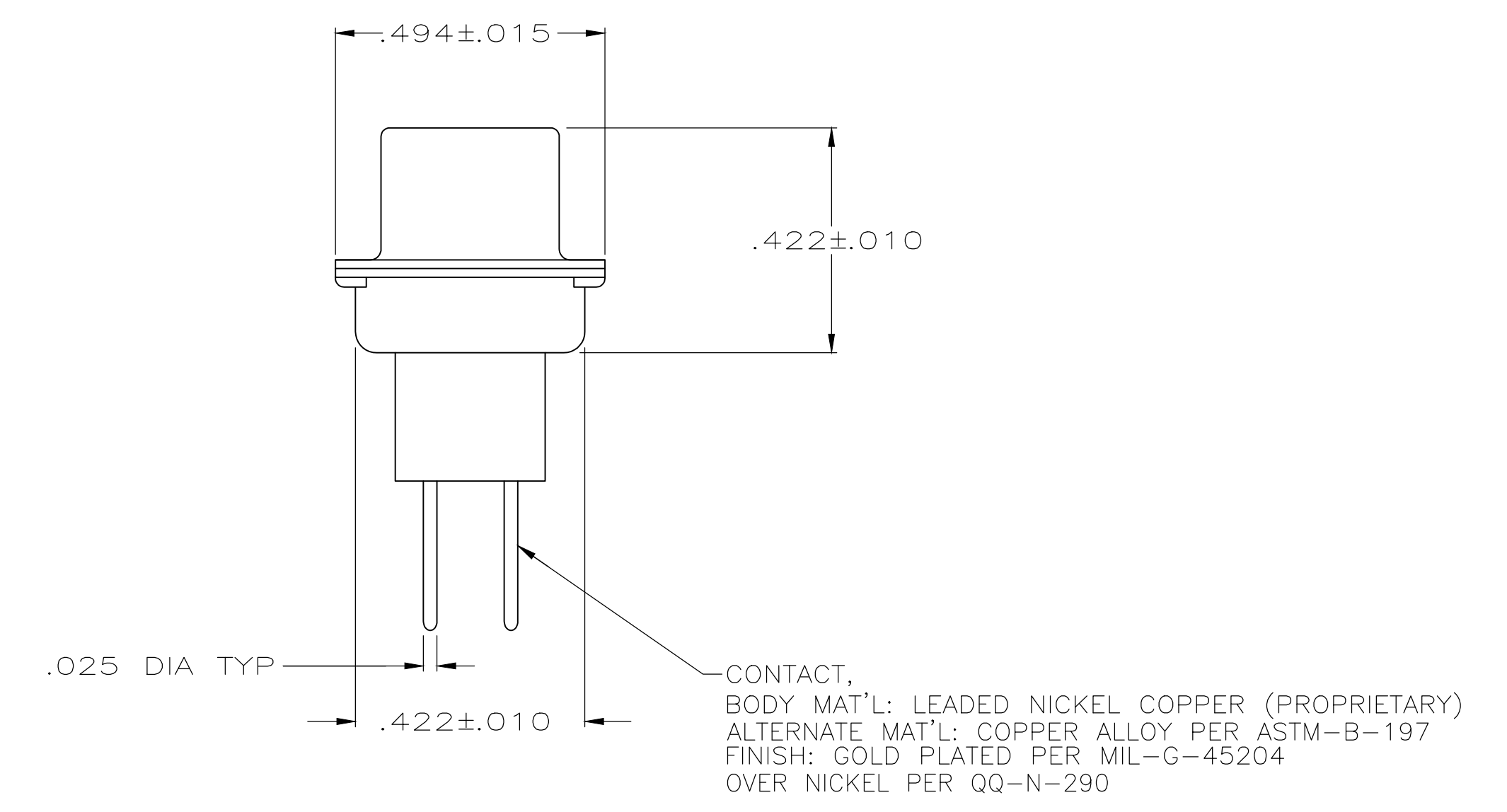
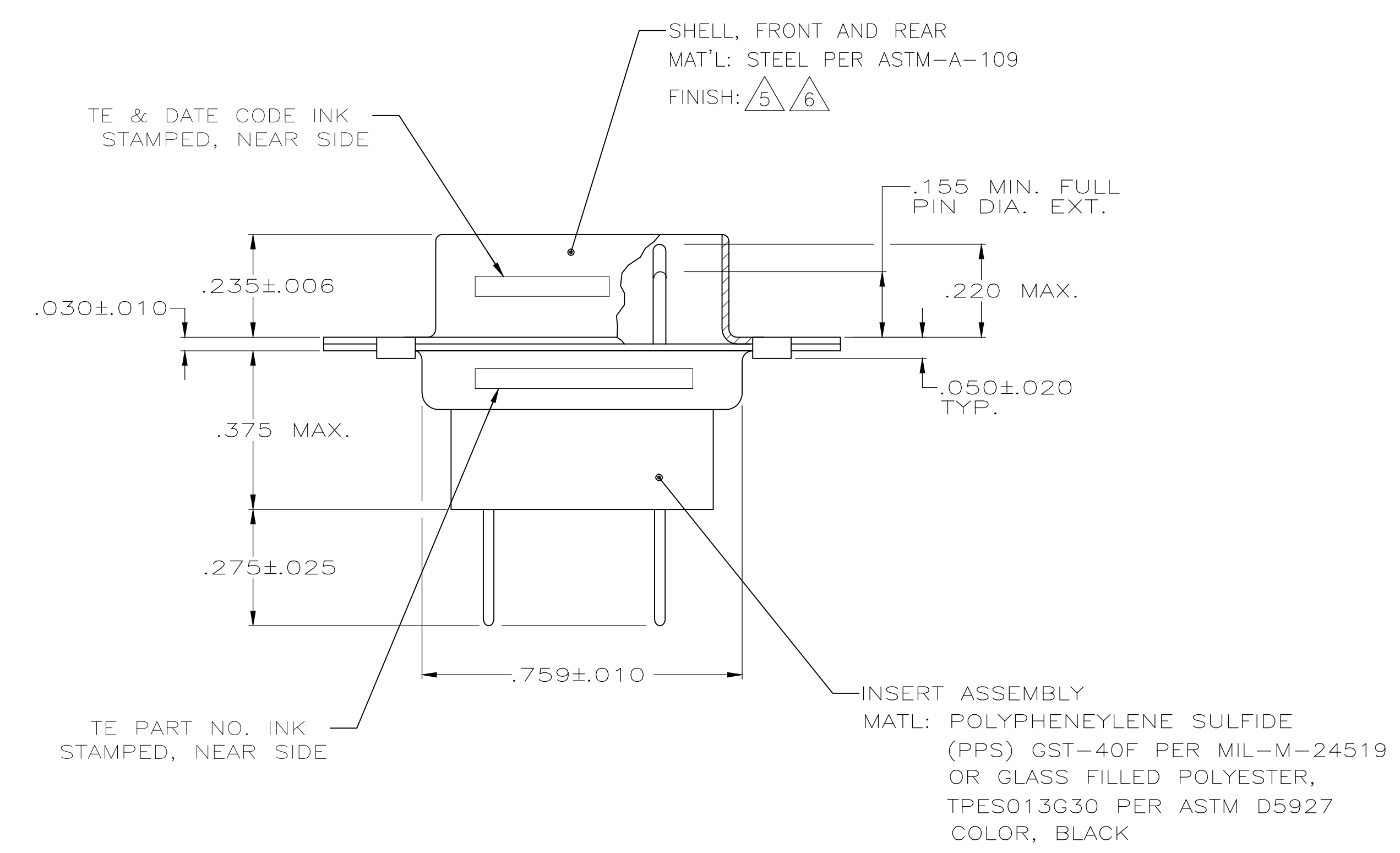


RECOMMENDED P.C. BOARD LAYOUT



1. .040 DIA HOLE IS RECOMMENED FOR P.C. BOARD
2. CONNECTOR MATES WITH ANY TE 15 POSN RECEPTACLE
3. REPLACEMENT PIN TE# 207683-8
4. UL/CSA DESIGNATION STAMPED IN THIS AREA.
5. FINISH: CADMIUM PER QQ-P-416
6. FINISH: ZINC PLATED PER ASTM-B-633, .000200-.000400 THK WITH SUPPLEMENTARY CHROMATE (Cr3+)

PLATED PER 6	5-208866-1
PLATED PER 5	208866-1
DESCRIPTION	PART NO.

THIS DRAWING IS A CONTROLLED DOCUMENT.		DIN RAGHAV SATISH 24JUN2015		TE Connectivity	
DIMENSIONS: INCHES		CHK CHARLES THOMAS 24JUN2015		NAME AMPLIMITE 15 POSN PLUG ASSY	
TOLERANCES UNLESS OTHERWISE SPECIFIED:		APVD CHARLES THOMAS 24JUN2015		RESTRICTED TO	
0 PLC ± -		PRODUCT SPEC		SIZE CAGE CODE DRAWING NO	
1 PLC ± -		APPLICATION SPEC		A1 00779 C=208866	
2 PLC ± -		MATERIAL SEE CALLOUTS		WEIGHT	
3 PLC ± .005		FINISH SEE CALLOUTS		CUSTOMER DRAWING	
4 PLC ± -		SCALE 4:1		SHEET 1 OF 1	
ANGLES ± -		REV			