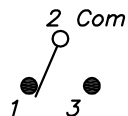
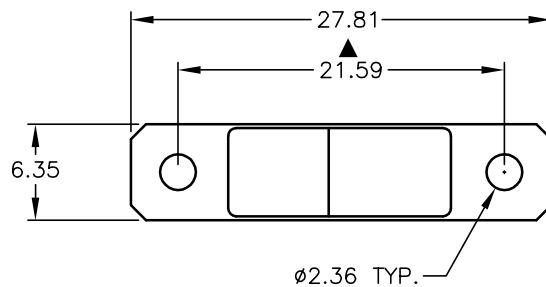


RECOMMENDED P.C.B. LAYOUT



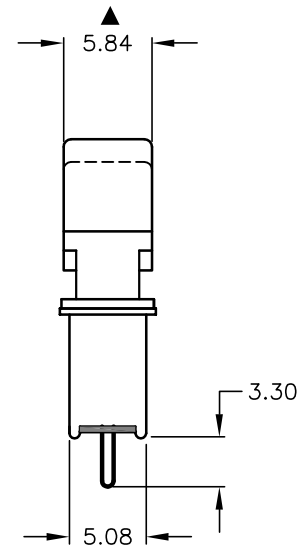
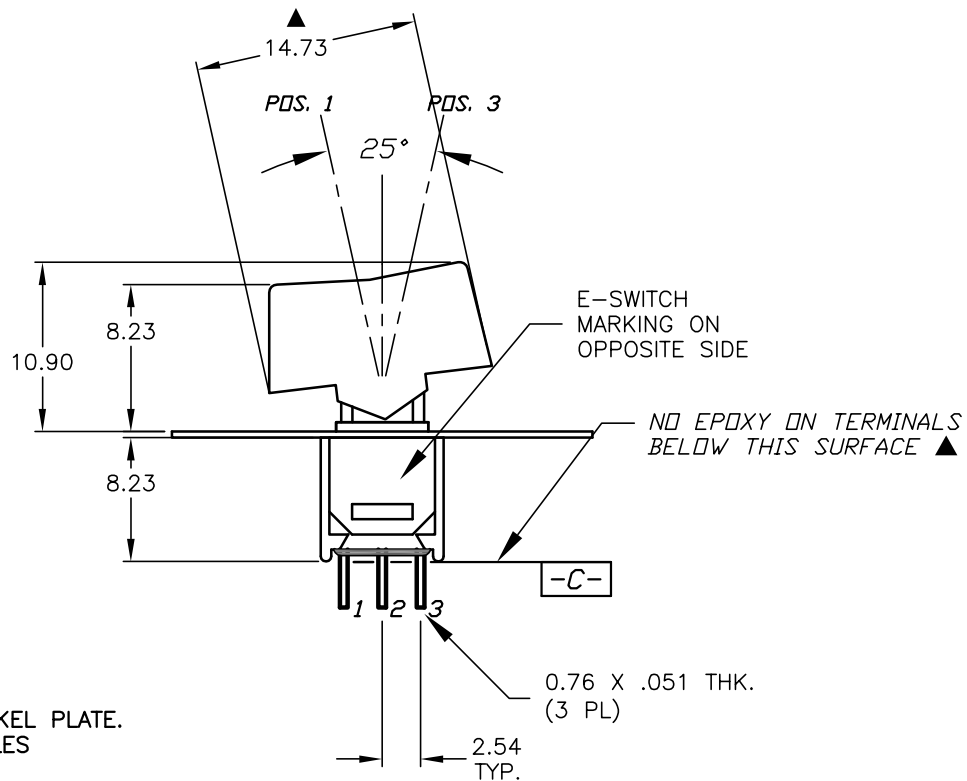
CIRCUIT: SPDT

SWITCH FUNCTION		
PDS. 1	PDS. 2	PDS. 3
ON	NONE	<ON>
2-3	OPEN	2-1

( )=Momentary

NOTES:

1. ALL DIMENSIONS IN MM
2. GENERAL TOLERANCE: X.X=±0.4  
X.XX=±0.25
3. TERM. NOS. FOR REF. ONLY
4. CONTACT RATING: 0.4VA @20V AC OR DC MAX.
5. FIXED TERMINAL & MOVING CONTACT:  
COPPER ALLOY W/GOLD PLATE OVER NICKEL PLATE.
6. ELECTRIC LIFE: 30,000 MAKE-AND-BREAK CYCLES  
AT FULL LOAD.
7. INSULATION RESISTANCE: 1,000 M OHM MIN.
8. DIELECTRIC STRENGTH: 1,000 V RMS @SEA LEVEL.
9. OPERATING TEMP.: -30°C TO +85°C
10. ▲ DENOTES CRITICAL PARAMETER.



**E-SWITCH®**

TITLE					400MSP2R6BLKM2RE				
SCALE	2:1	DATE	7/29/04	DR	AR	DWG	T412005	REV	A

A	14204	RELEASED FOR PRODUCTION	7/29/04	AR
REV.	ECN No.	DESCRIPTION	DATE	CHKD

THE INFORMATION CONTAINED IN THIS DOCUMENT IS PROPRIETARY TO E-SWITCH AND IS NOT TO BE COPIED OR TRANSFERRED