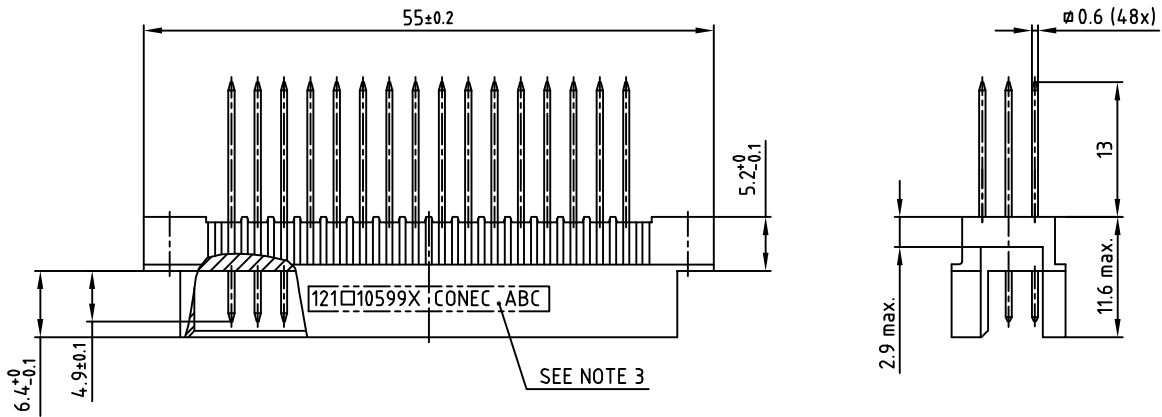
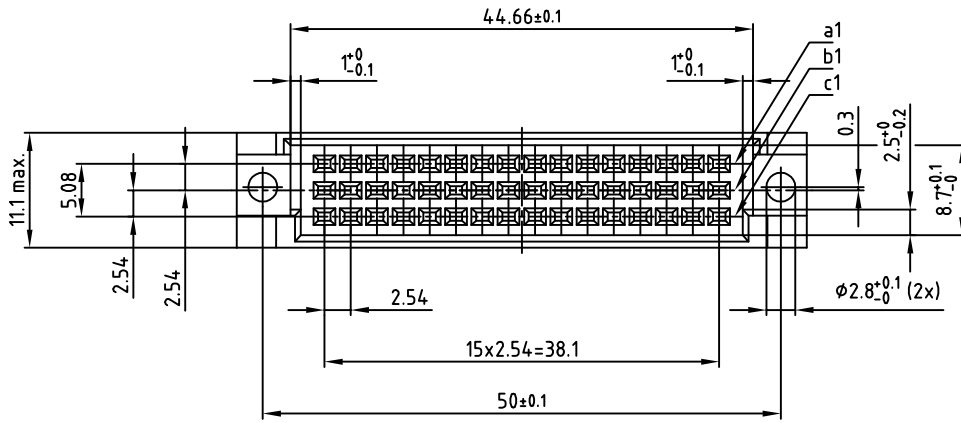


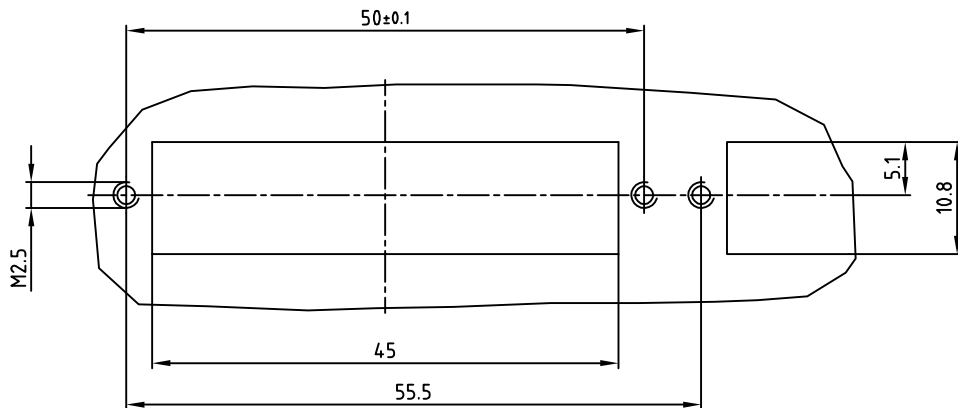
used for: DIN EN 60603-2 TYPE "R 1/2"



NOTES:

1. INSULATOR: PBT GF UL 94 V-0; GREY
2. CONTACTS: COPPER ALLOY; PLATING (SEE PART-NO.):
 - PLEASE ADD C for GOLD over NICKEL; 500 MATING CYCLES
 - PLEASE ADD B for GOLD over NICKEL; 400 MATING CYCLES
 - PLEASE ADD A for GOLD over NICKEL; 50 MATING CYCLES
3. CONNECTOR IS PART MARKED: 121□10599X CONEC ABC (see note 2)

PANEL CUT OUT



RoHS compliant

THIS DRAWING MAY NOT BE COPIED OR REPRODUCED IN ANY WAY, AND MAY NOT BE PASSED ON TO A THIRD PARTY, WITHOUT WRITTEN PERMISSION. OWNERSHIP AND COPYRIGHT OF CONEC Gmbh DO NOT ALTER CAD DRAWING BY HAND

rev.	description	date	name
a	Original		

tolerance		
dim.	in	mm
2015	date	name
drawn	09.07.	Lehmenkühler
appd.	10.07.	Schmidt
norm	DIN EN 60603-2	
d-old		

scale:	2:1
material:	SEE NOTES
title:	MALE CONNECTOR TYPE "R 1/2" 48pos. WIRE WRAP
dwg no:	12K1A881
part no:	121A10599X (see note 2)

DIN-A
3
sh: 1/1

