



PRODUCT DATASHEET

Lena series

last update 1/11/2016

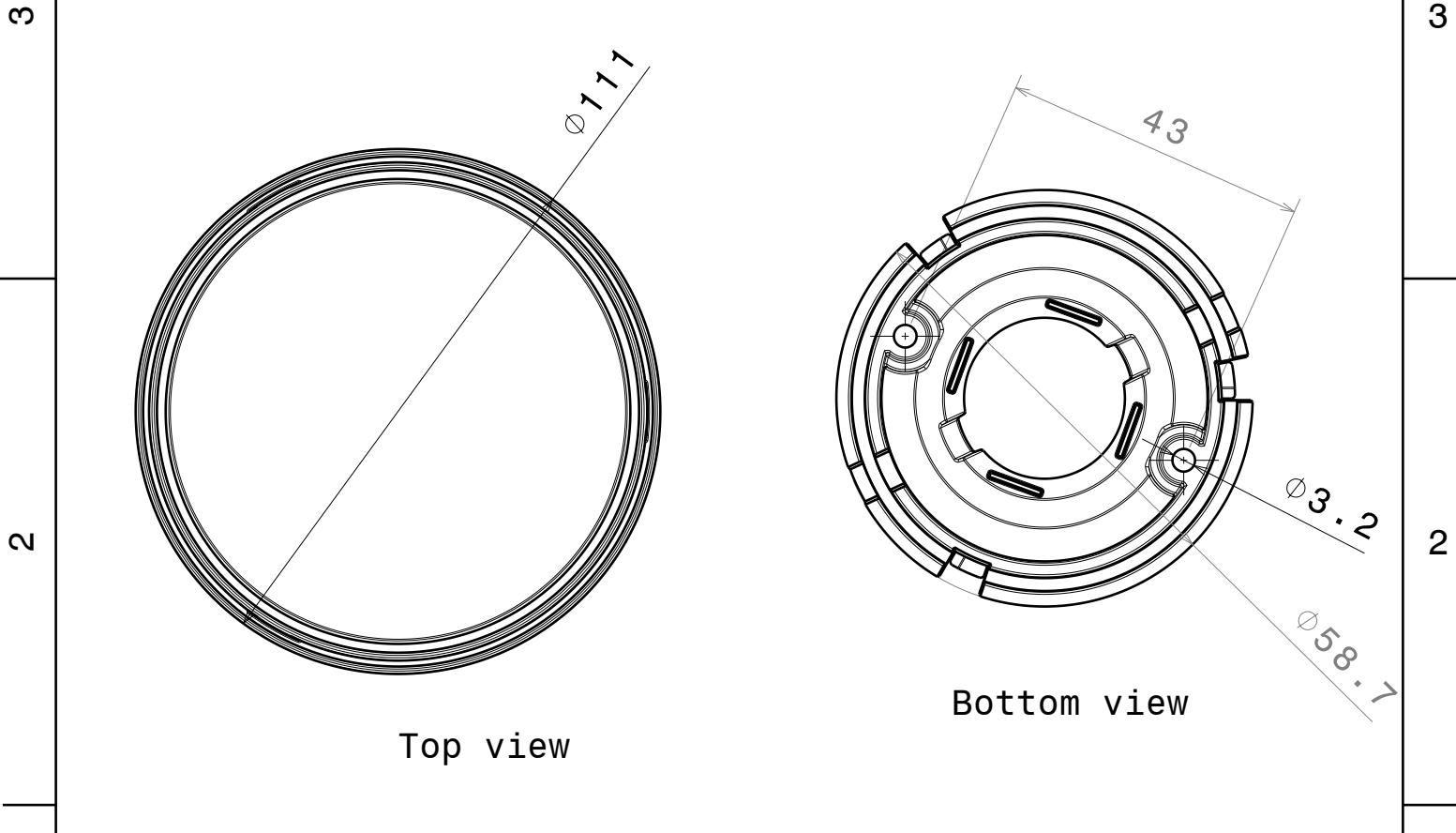
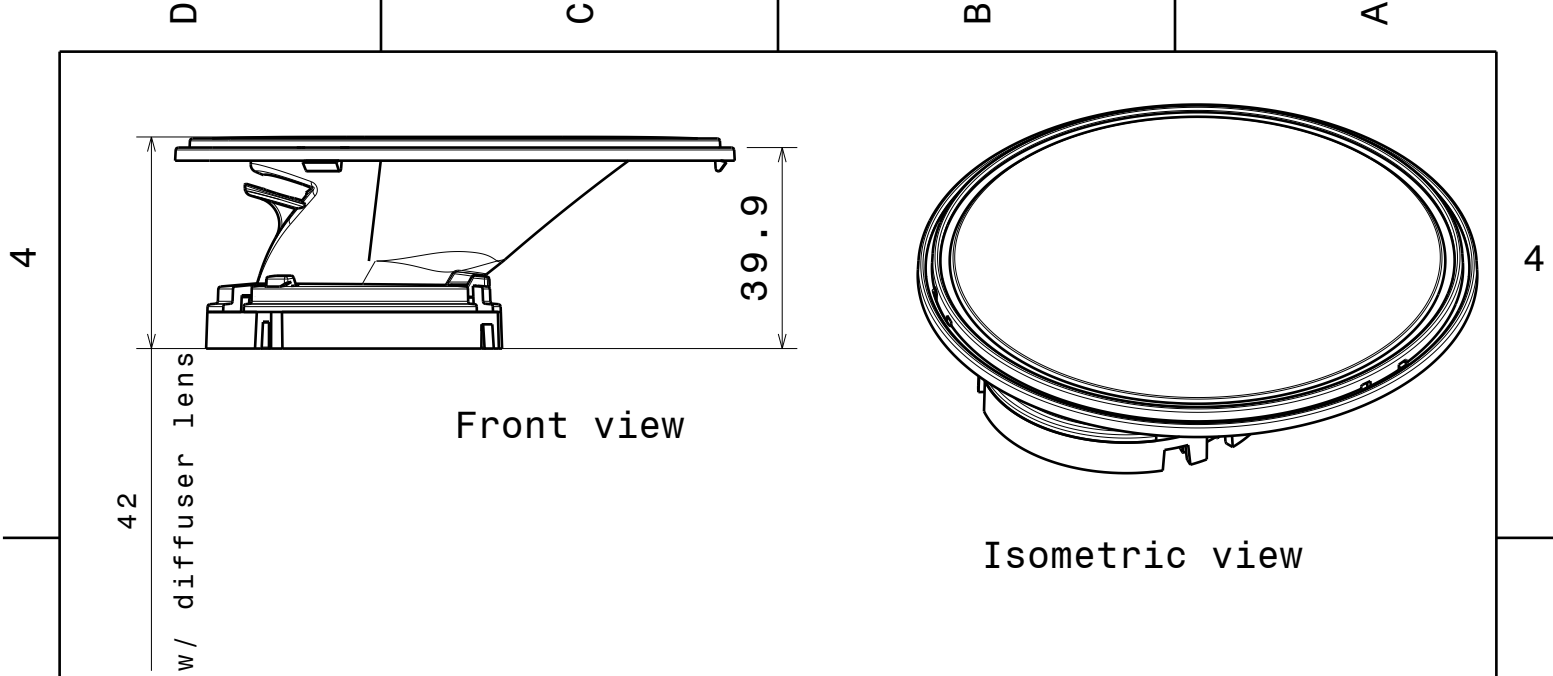
DETAILS

Product Number	CN13342_LENA-WAS-DL
Family	Lena
Type	RefPack
Color	metal
Diameter	111 mm
Height	42 mm
Style	round
Optic Material	PC
Holder Material	
Fastening	screw, socket
Status	production ready
ROHS Compliant	Yes
Date Updated	1/11/2016



OPTICAL PROPERTIES

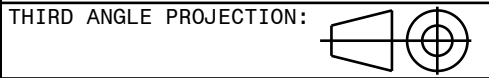
LED	Viewing Angle	Light Beam	Efficiency	cd/lm	Connector
CXA/B 25xx	Asymmetric deg	Asymmetric	73 %	0.900	-



Tolerances if not otherwise shown
 According to DIN ISO 2768-1
 Linear measures:
 Up to 30mm class M, otherwise class C.
 According to DIN ISO 2768-2
 Form and position: class L



Ledil Oy
 Salorankatu 10
 FIN 24240 SALO
 Finland



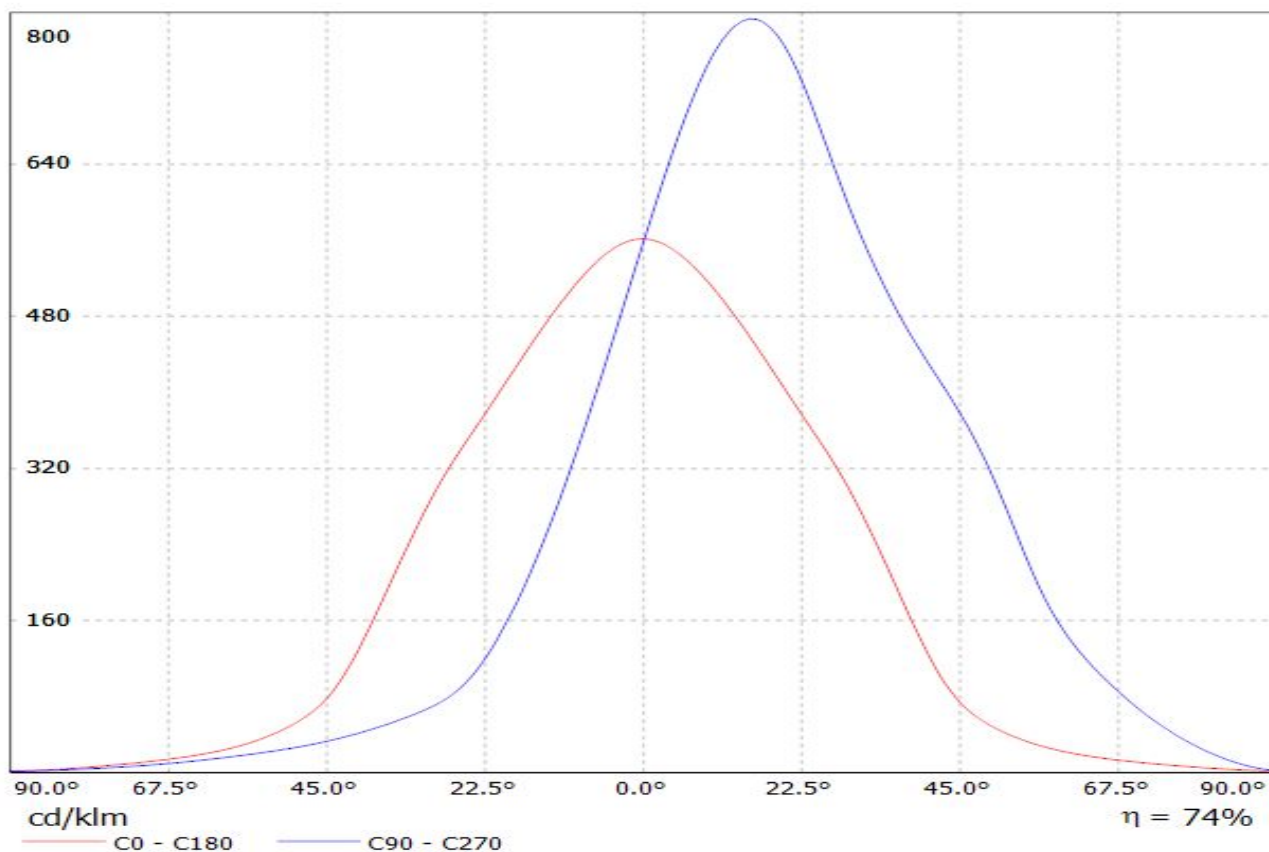
DRAWING TITLE
LENA-WAS-CXA25

This drawing is the property of LEDiL Oy. It may not be reproduced, copied or communicated without a written agreement with LEDiL Oy.

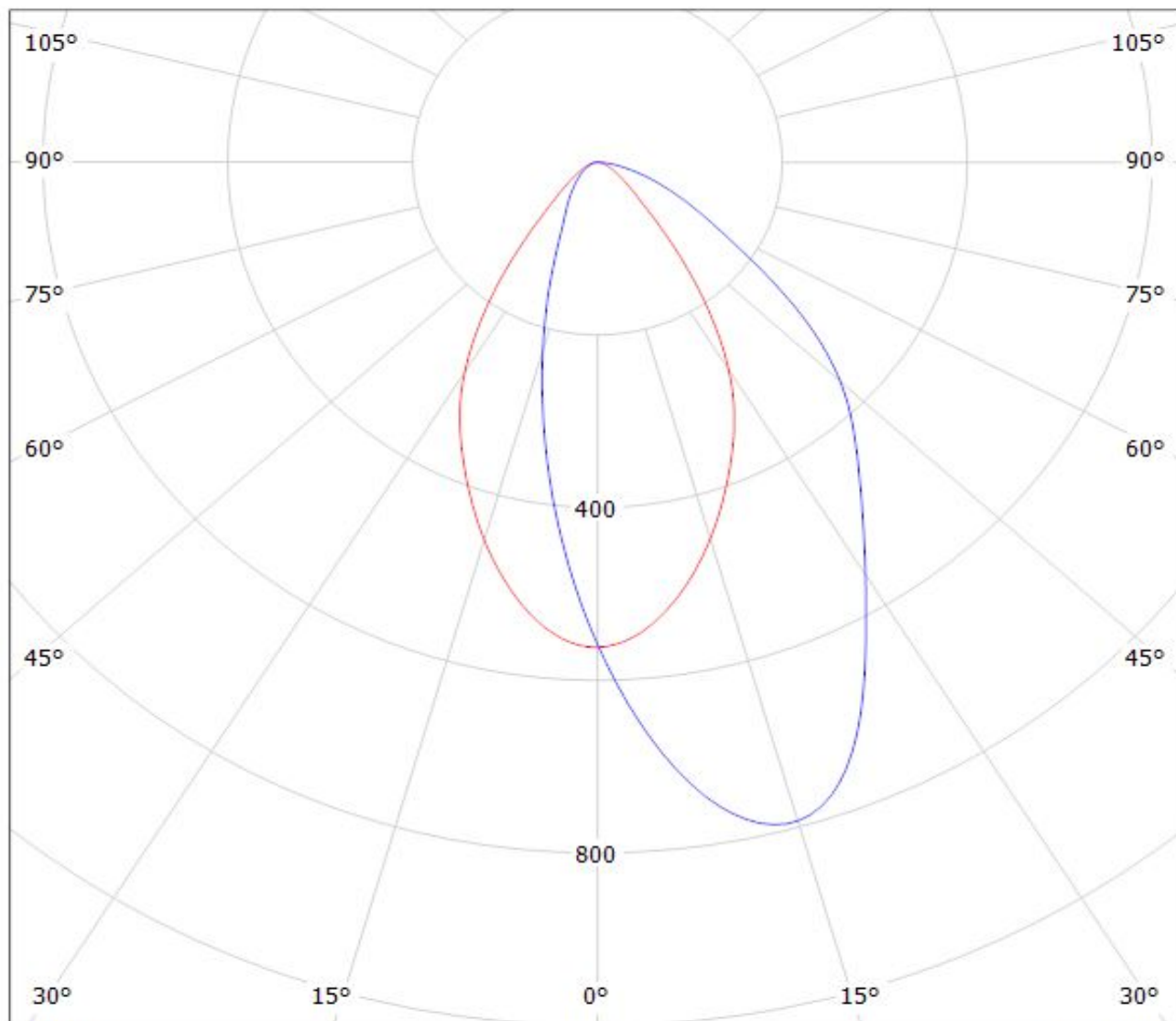
SIZE	PART NUMBER
A4	

SCALE	2:3	WEIGHT	- g	SHEET	1/1
-------	-----	--------	-----	-------	-----

Luminaire: LEDiL Oy CN13342_LENA-WAS-DL_(CXA25) Eff.73.8%
Lamps: 1 x CREE_CXA25_(2520-7A-N4-N0U) 888.265lm@250mA CCT=3000K P=8.58457W I=249.9mA



Luminaire: LEDiL Oy CN13342_LENA-WAS-DL_(CXA25) Eff.73.8%
Lamps: 1 x CREE_CXA25_(2520-7A-N4-N0U) 888.265lm@250mA CCT=3000K P=8.58457W I=249.9mA



cd/klm

$\eta = 74\%$

— C0 - C180 — C90 - C270

NOTE: The typical divergence will be changed by different color, chip size and chip position tolerance. The typical total divergence is the full angle measured where the luminous intensity is half of the peak value.