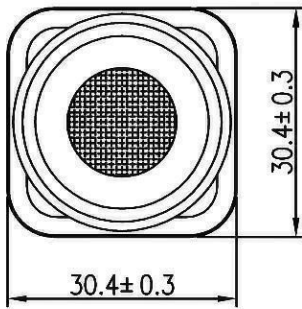
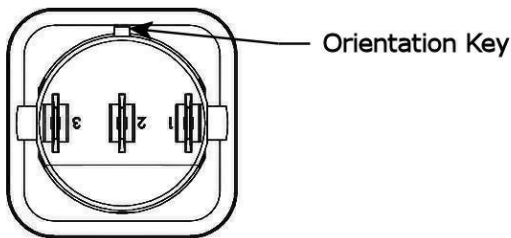
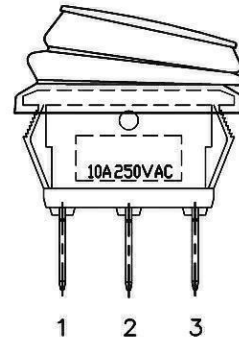
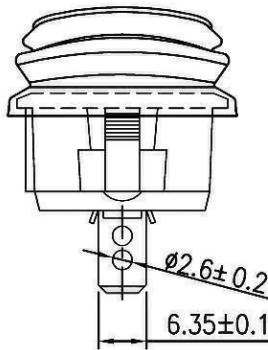
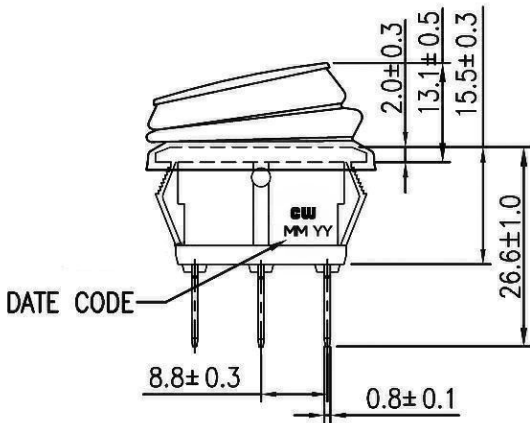


THIS INFORMATION IS CONFIDENTIAL AND PROPRIETARY TO CW INDUSTRIES INCORPORATED AND ITS AFFILIATES. IT MAY NOT BE DISCLOSED TO ANYONE, OTHER THAN CW INDUSTRIES PERSONNEL, WITHOUT WRITTEN AUTHORIZATION FROM CW INDUSTRIES INCORPORATED, SOUTHAMPTON, PENNSYLVANIA USA.

Rating		10A 250V AC	Mounting Hole	Circuit Diagram
Contact Resistance	50m ohm Max.			
Insulation Resistance	DC 500V 100M ohm Min.			
Dielectric Strength	AC 1500V 1 minute			
Operation Temperature	-25°C~85°C		Thickness 1.0~3.0 mm	
Switch Function	3P SPST ON-OFF Lamp Dependent			
Lamp Type	LED 250VAC 220V w/resistor			



***MATERIAL:**
 Frame: Black, Nylon 66 (94-V2)
 Actuator: Red, PC (94-V2)
 Terminals: Silver plated, Copper alloy
 Waterproof Rubber: Silicone
***Waterproof: IP65**
 Tolerance: ±0.3mm unless otherwise specified



RoHS Compliant

1 Added Dependent to switch function & Lamp Type to drawing. 12/08/11.

CW INDUSTRIES
 Southampton, Pa. 18966
 Tel 215.355.7080/www.cwind.com

Date Drawn: 5/17/10

Rev. 1

Unit: mm

Checked By: *G. Gold*

Title: **ROCKER SWITCH**

CW P/N: **GRB203B801BRRN5**