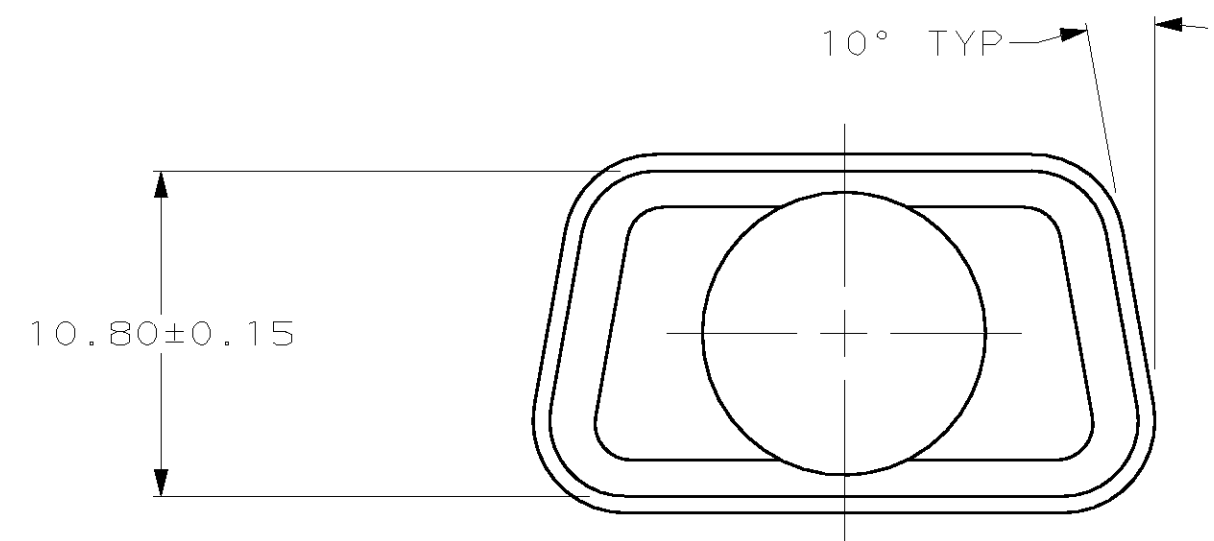
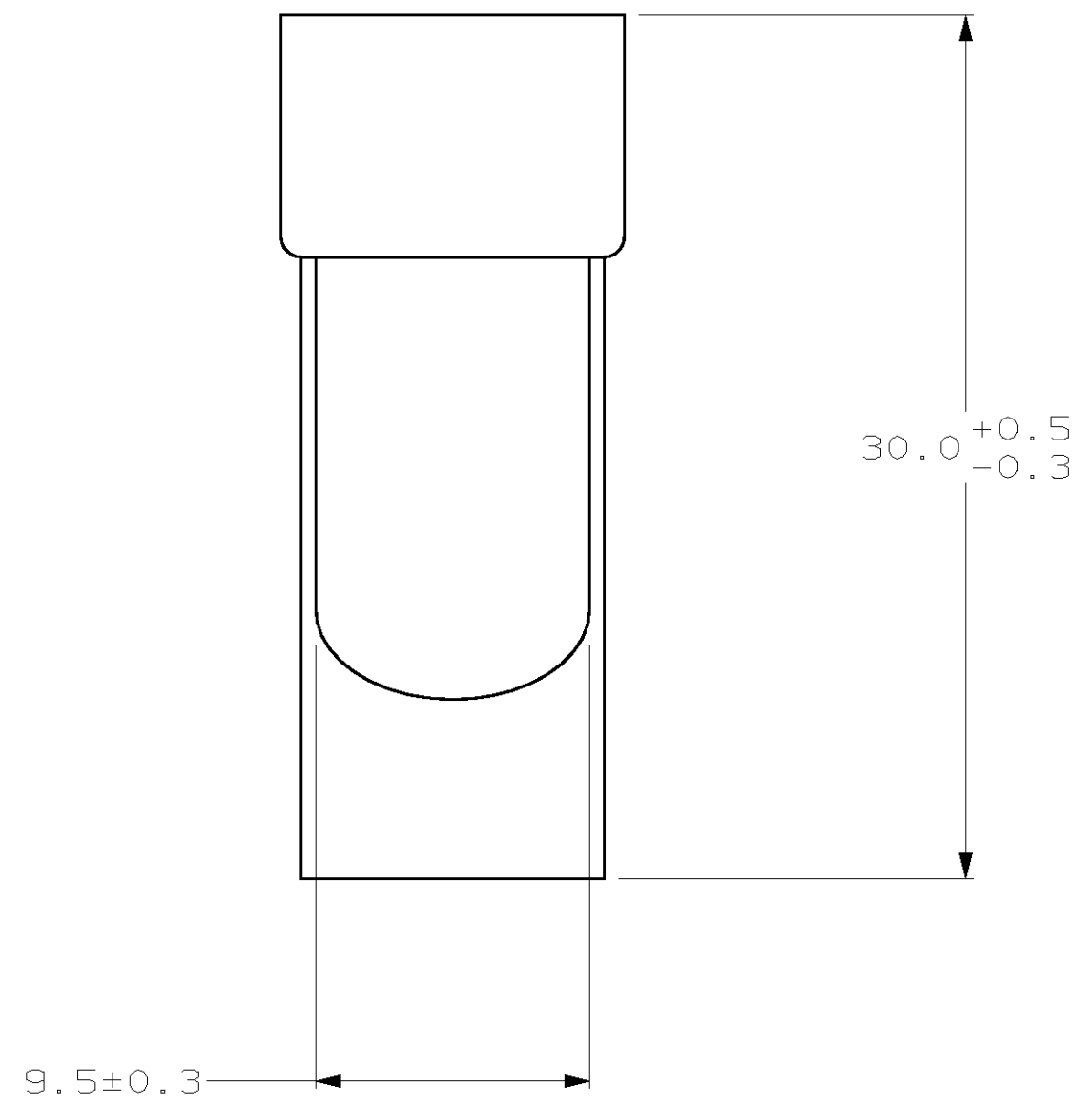
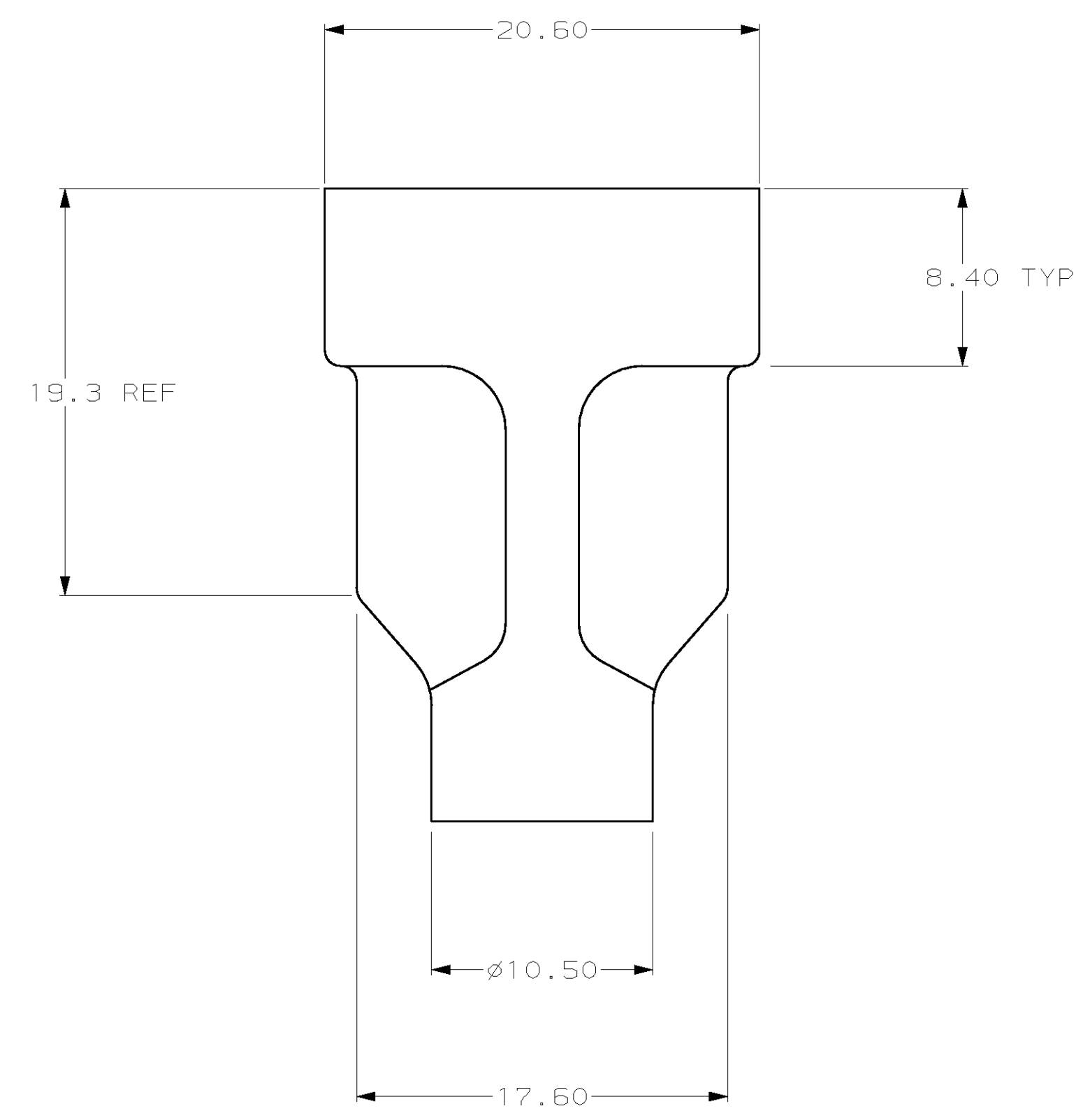


THIS DRAWING IS UNPUBLISHED. RELEASED FOR PUBLICATION .19
 (C) COPYRIGHT 19 BY AMP INCORPORATED. ALL RIGHTS RESERVED.

LOC	DIST	REVISIONS					
		P	LTR	DESCRIPTION	DATE	DWN	APVD
BD	48			0 RELEASED	19 AUG 96	DB	SB
				A REV PER EC 0320-53-96	12 SEP 96	BC	DM
				B REV PER EC 0640-229-98	10 MAY 99	DH	AF
				C REV PER EC 001D-80-00	20 MAR 00	DB	DK



- 1 CARBON STEEL.
- 2 2.03 μm MIN TIN OVER 0.76 μm MIN COPPER.
- 3. ALL DIMENSIONS ARE NOMINAL UNLESS OTHERWISE SPECIFIED.
- 4. THESE SHIELDS ARE NOT INTENDED FOR USE WITH ANY COMMERCIAL CONNECTORS.



787593-2
 PART NUMBER

THIS DRAWING IS A CONTROLLED DOCUMENT.		DWN	19 AUG 96	AMP Incorporated Harrisburg, PA 17105-3608
		CHK	19 AUG 96	
		APVD	19 AUG 96	
		NAME	S. BRINSER	
DIMENSIONS:	TOLERANCES UNLESS OTHERWISE SPECIFIED:	PRODUCT SPEC		SHIELDING HARDWARE, 1 PIECE, ECONOMY, SIZE 1, AMPLIMITE
mm	0 PLC ±- 1 PLC ±- 2 PLC ±0.10 3 PLC ±- 4 PLC ±- ANGLES ±2°	APPLICATION SPEC		
MATERIAL	FINISH	WEIGHT	SIZE	CAGE CODE
1	2	-	A2	00779
CUSTOMER DRAWING			DRAWING NO	SCALE
			C-787593	4:1
			SHEET	REV
			1 OF 1	C

787593