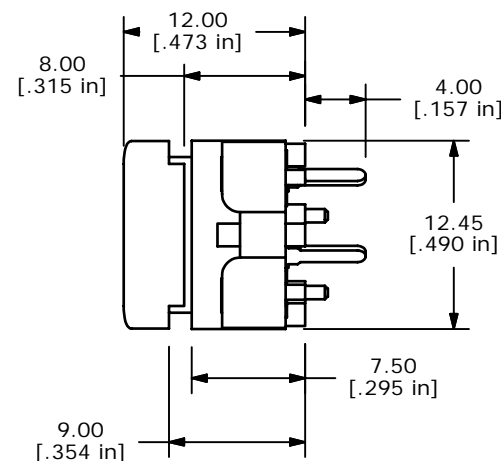
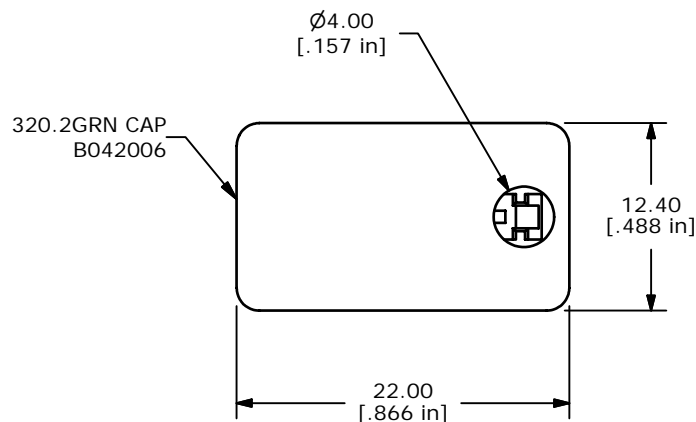


CIRCUIT: SPST



- NOTES:
1. ALL DIMENSIONS IN MM [INCH]
  2. GENERAL TOLERANCE X.X=±0.4  
X.XX=±0.25
  3. TERMINAL NUMBERS FOR REF. ONLY
  4. CONTACT RATING: 25mA, 50 VDC
  5. TRAVEL: 0.7mm
  6. OPERATING FORCE: 120gf
  - ▲ 7. USES E1-1 CONTACT DOME (B050001)
  8. ▲ DENOTES CRITICAL PARAMETER.

**E-SWITCH®**

|     |        |             |        |    |
|-----|--------|-------------|--------|----|
| A   | 15845  | NEW RELEASE | 3/6/06 | PH |
| REV | PCR NO | DESCRIPTION | DATE   | BY |

|                                 |          |    |         |     |
|---------------------------------|----------|----|---------|-----|
| TITLE 320.2E11GRN W/ LED HOLDER |          |    |         |     |
| SCALE                           | DATE     | DR | DWG     | REV |
| 2:1                             | 3/6/2006 | PH | XB0787A | A   |

THE INFORMATION CONTAINED IN THIS DOCUMENT IS PROPRIETARY TO E-SWITCH AND IS NOT TO BE COPIED OR TRANSFERRED