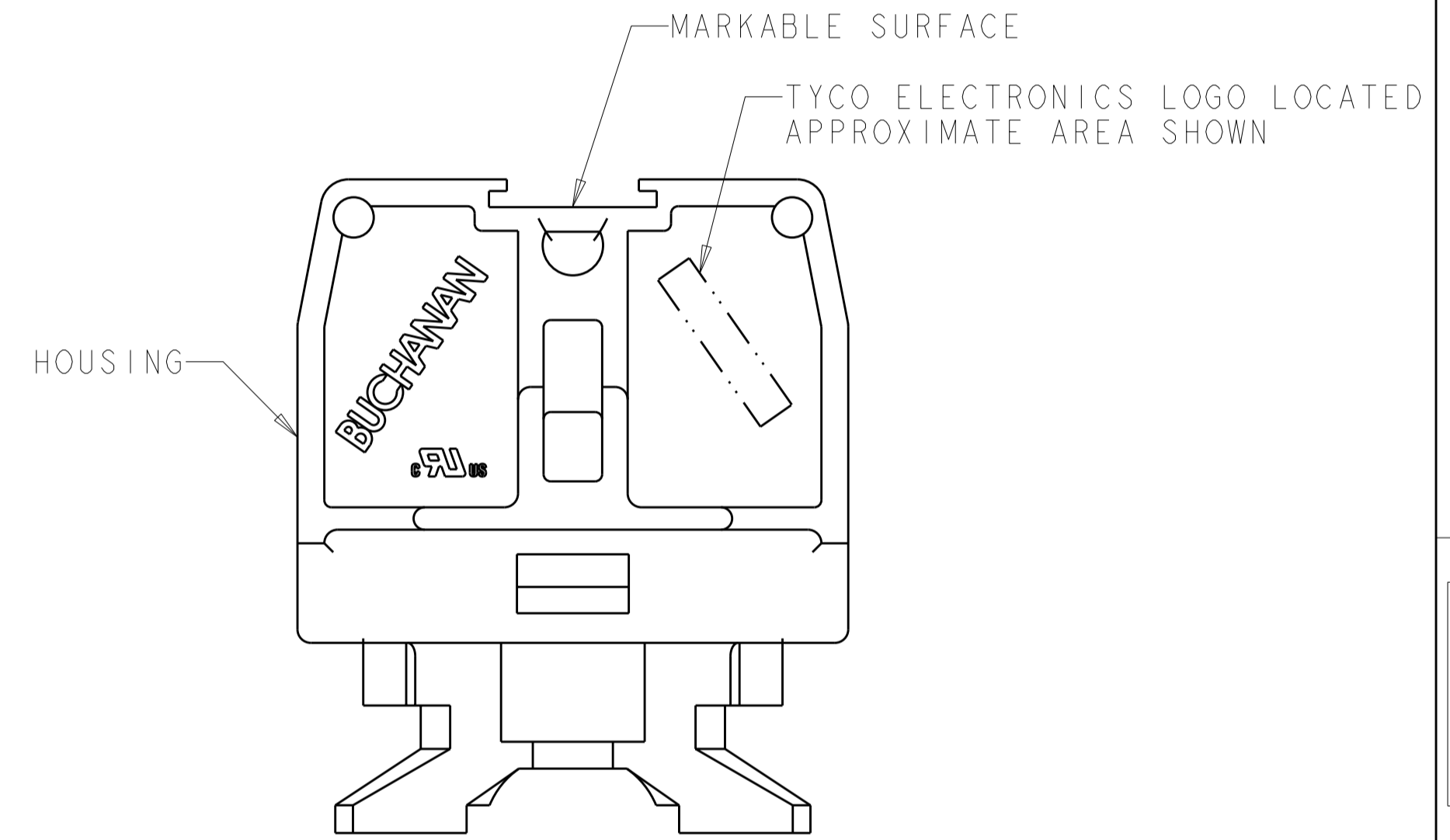
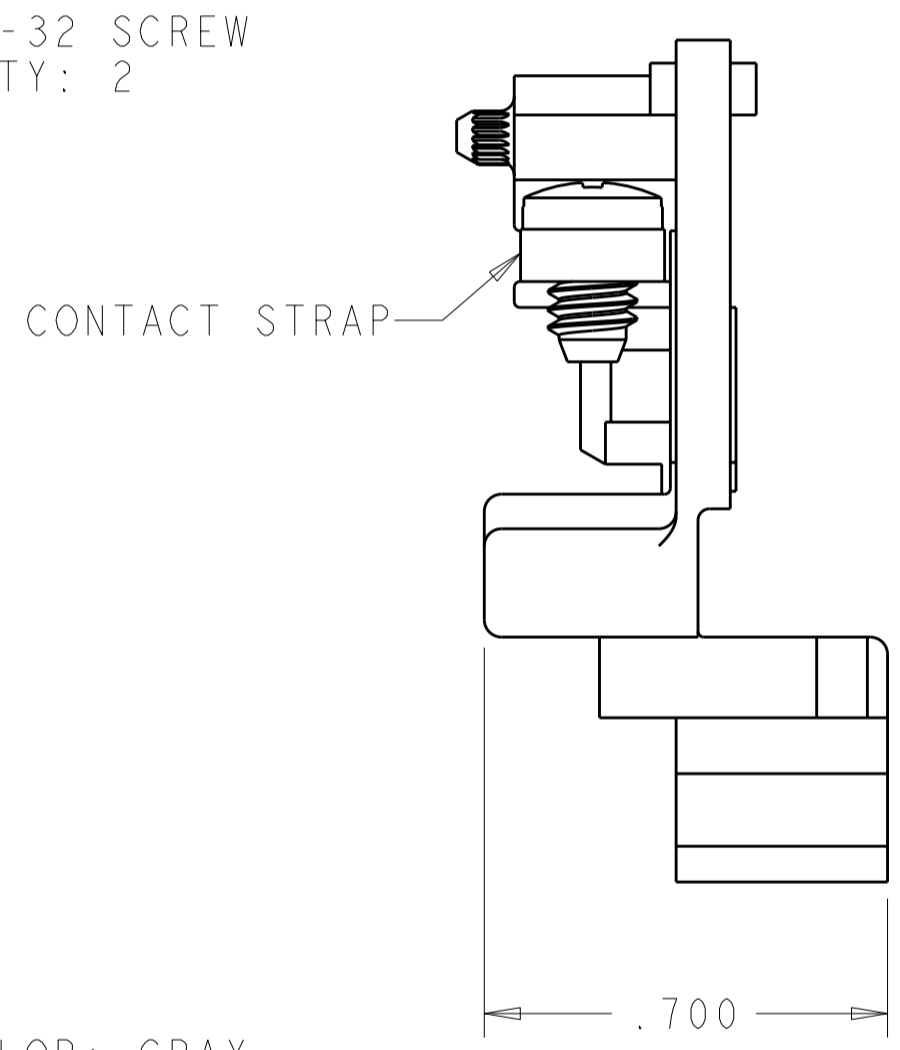
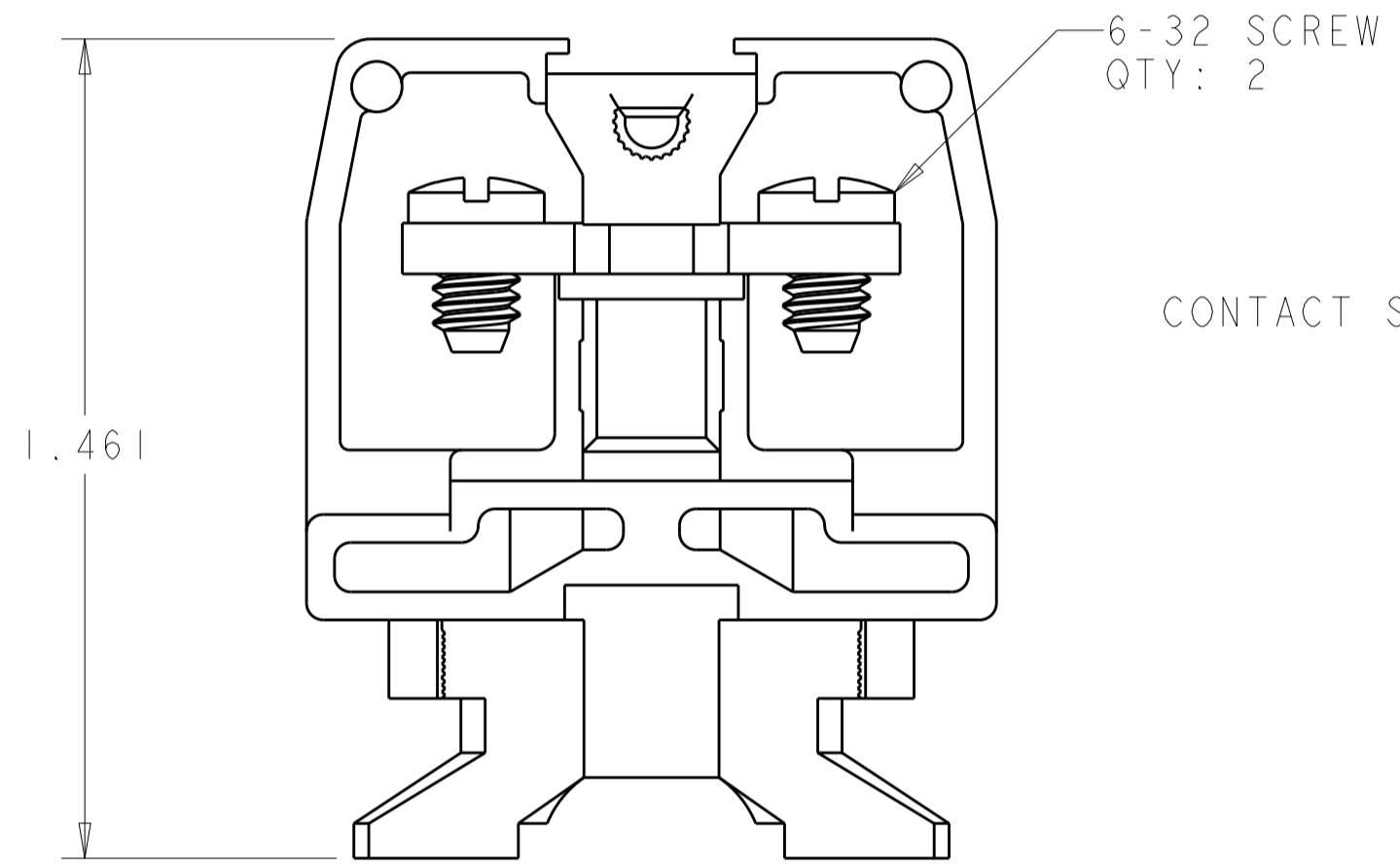
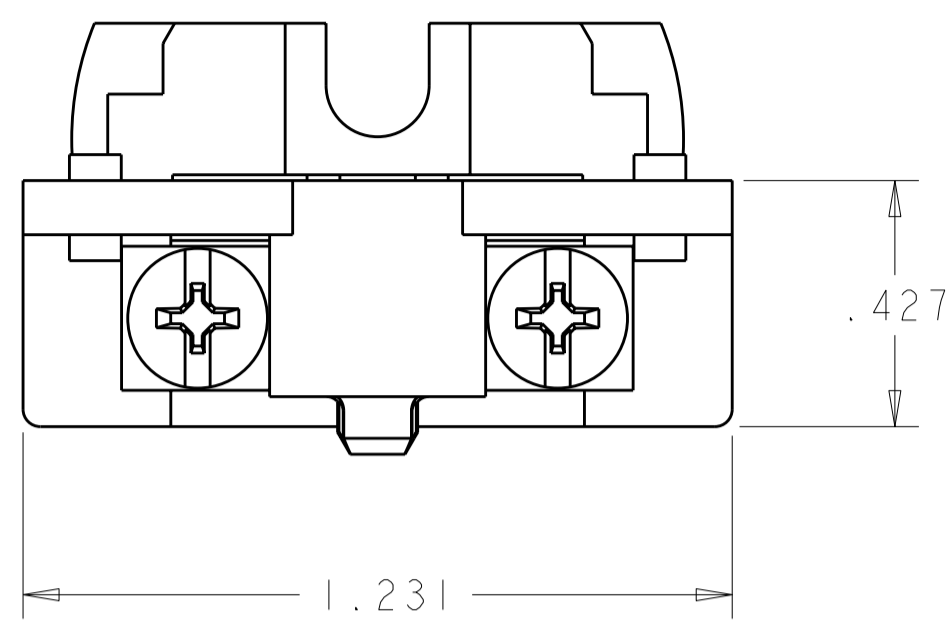


THIS DRAWING IS UNPUBLISHED. RELEASED FOR PUBLICATION 20  
 © COPYRIGHT 20 BY TYCO ELECTRONICS CORPORATION. ALL RIGHTS RESERVED.

LOC		DIST		REVISIONS			
P	LTR	DESCRIPTION	DATE	DWN	APVD		
	F	REVISED PER ECO-10-006414	26MAR2010	HMR	CR		



- 1. PHYSICAL PROPERTIES (STANDARD)  
 HOUSING: POLYESTER, UL 94V-0 RATED, COLOR: GRAY.  
 CONTACT STRAP: COPPER ALLOY, ZINC PLATED.  
 SCREW: STEEL, ZINC PLATED CLEAR CHROMATE.
- 2. PHYSICAL PROPERTIES (DURAMAX)  
 HOUSING: POLYESTER, UL 94V-0 RATED, COLOR: GRAY.  
 CONTACT STRAP: COPPER ALLOY, NICKEL PLATED.  
 SCREW: COPPER ALLOY, NICKEL PLATED.
- 3. MECHANICAL  
 PITCH: .375  
 MOUNTING: STANDARD CHANNEL AND CLAMP.  
 OPERATING TEMPERATURE: 150°C MAX.  
 TORQUE: RECOMMENDED TIGHTENING TORQUE IS 12 IN-LBS.
- 4. ELECTRICAL  
 MAXIMUM CURRENT: 15A, 35A\*  
 OPERATING VOLTAGE: 600 V  
 WIRE RANGE: 14-22 AWG, 10 AWG\*.  
 \* ACCEPTABLE FOR 35A MAXIMUM CURRENT, FACTORY WIRING ONLY, WHEN USED WITH 10 AWG WIRE PRE-TERMINATED WITH SUITABLE RING TONGUE TERMINALS.
- 5. SEE RESTRICTED CUSTOMER DRAWING 4-1437394-5.

-	4-1437394-5	5
2	1546144-2	
1	1546144-1	
MATERIAL / FINISH	PART NUMBER	

THIS DRAWING IS A CONTROLLED DOCUMENT FOR TYCO ELECTRONICS CORPORATION. IT IS SUBJECT TO CHANGE AND THE CONTROLLING ENGINEERING ORGANIZATION SHOULD BE CONTACTED FOR THE LATEST REVISION.		DWN S. WELDON 13JUN2002	Tyco Electronics Harrisburg, PA 17105-3608	
DIMENSIONS: INCHES		CHK S. YODER 13JUN2002	NAME ASSEMBLY, TERMINAL BLOCK, NEMA, DOVETAIL BASE, MEDIUM DUTY, STRAP SCREW	
TOLERANCES UNLESS OTHERWISE SPECIFIED:		APVD S. YODER 13JUN2002	SIZE A2 CAGE CODE 00779 C=1546144	
0 PLC ±		PRODUCT SPEC	RESTRICTED TO	
1 PLC ±		APPLICATION SPEC	-	
2 PLC ±		WEIGHT	-	
3 PLC ±.010		CUSTOMER DRAWING	SCALE 3:1 SHEET 1 OF 1 REV F	
4 PLC ±				
ANGLES ±				
FINISH				
SEE TABLE				