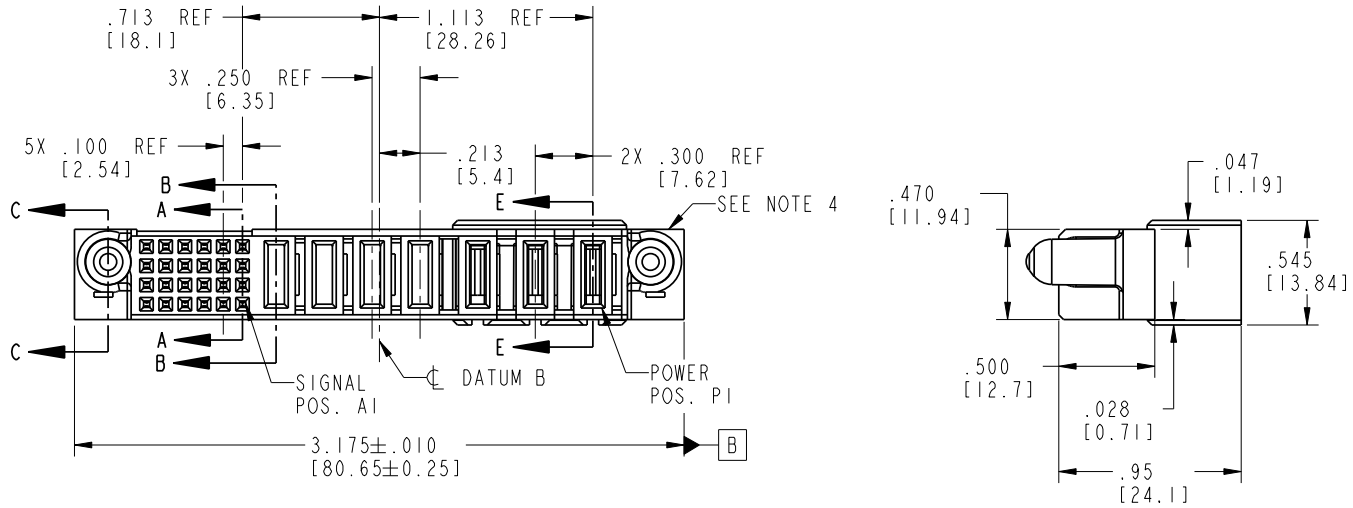
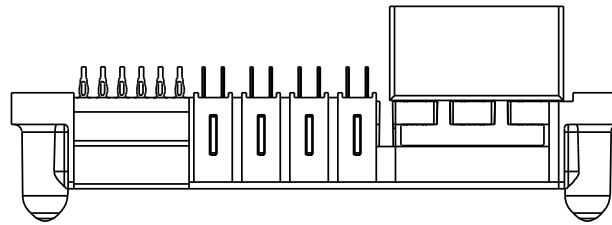


Tous droits strictement reserves. Reproduction ou communication a des tiers interdite sous quelque forme que ce soit sans autorisation ecrite du proprietaire. Propriete de c FCI. Droits de reproduction FCI.

All rights strictly reserved. Reproduction or issue to third parties in any form whatever is not permitted without written authority from the proprietor. Property of FCI. Copyright FCI.



PRODUCT NO.	ROWS	SIGNAL					POWER					E1			
		E2	6	5	4	3	2	1	P7	P6	P5		P4	P3	P2
51940-105-- NOTE: 3	D C B A														



CODE	DIM "M" MATING LENGTH	CONTACT TYPE
F	N/A [N/A]	SIGNAL
PF	.092 [2.34]	POWER
PG	.042 [1.07]	POWER
PH	.092 [2.34]	POWER

mat'l code				SEE NOTE 2		tolerances unless otherwise specified		CUSTOMER		FCI	
lir	ecn no.	dr	date	linear	.XX±.01/0.X±0.3	projection		COPY		www.fciconnect.com	
A	V04-0965	TAB	09/30/04		.XXX±.005/0.XX±0.13	MM		title		3ACP + 4P + 24S	
B	DG06-0168	JMG	04/18/06	angles	.XXX±.0020/0.XXX±0.051	MM		product family		PwrBlade	
				dr	T. BRUNGARD 09/30/04	scale		size		dwg no	
				enrg	M. GRAY 09/30/04	1:1		A		51940-105	
				chr	M. GRAY 09/30/04			code		213	
				appd	M. GRAY 09/30/04			sheet		1 of 4	
sheet index	revision sheet	B 1	B 2	B 3	B 4						

A

A

B

B

1 | 2

Pro/E

PDM: Rev: B

STAT US: Released

Printed: Dec 20, 2010

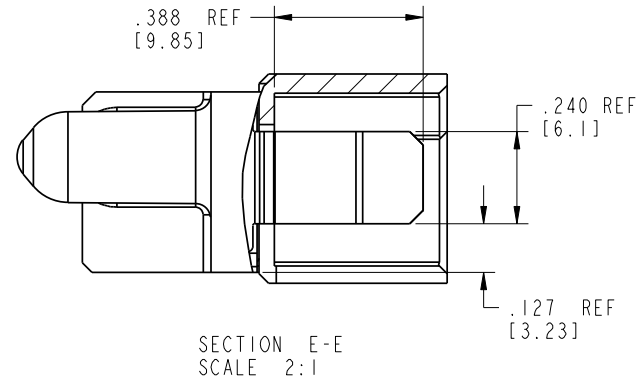
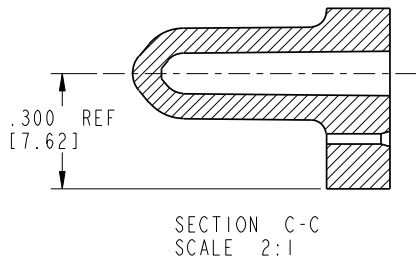
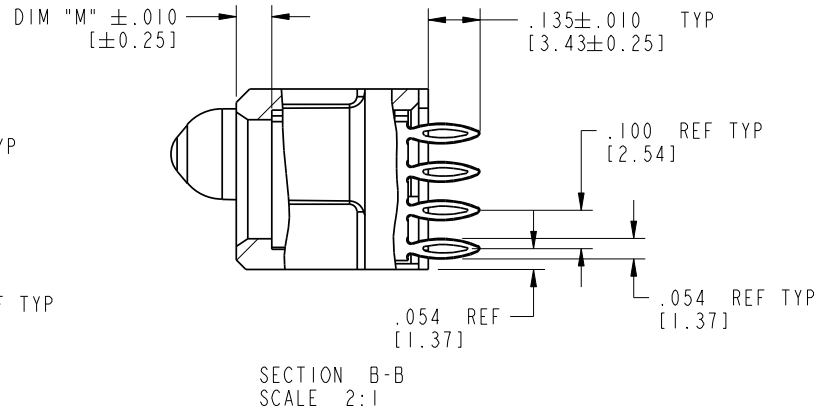
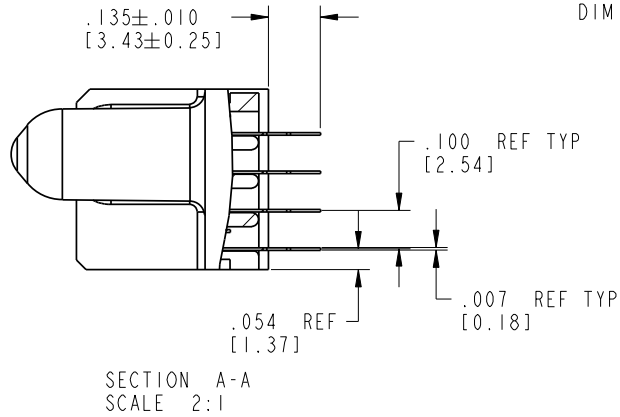
Tous droits strictement reserves. Reproduction ou communication a des tiers interdite sous quelque forme que ce soit sans autorisation écrite du propriétaire. Propriete de c FCI. Droits de reproduction FCI.

All rights strictly reserved. Reproduction or issue to third parties in any form whatever is not permitted without written authority from the proprietor. Property of FCI. Copyright FCI.



PRODUCT NUMBER

51940-105\_\_  
NOTE: 3



mat'l code		SEE NOTE 2		tolerances unless otherwise specified		CUSTOMER		 www.fciconnect.com	
lir	ecn no.	dr	date	linear	.XX±.01/0.X±0.3	projection	title		
B					.XX±.005/0.XX±0.13		3ACP + 4P + 24S		
				angles	.XXX±.0020/0.XXX±0.051		VERT PF RECEPT CABLE PORT		
				dr	T. BRUNGARD 09/30/04	scale	product family	PwrBlade	code
				engr	M. GRAY 09/30/04	1:1	size	dwg no	213
				chr	M. GRAY 09/30/04		A	51940-105	sheet
				appd	M. GRAY 09/30/04				2 of 4
sheet index	revision sheet								

cage code 28556

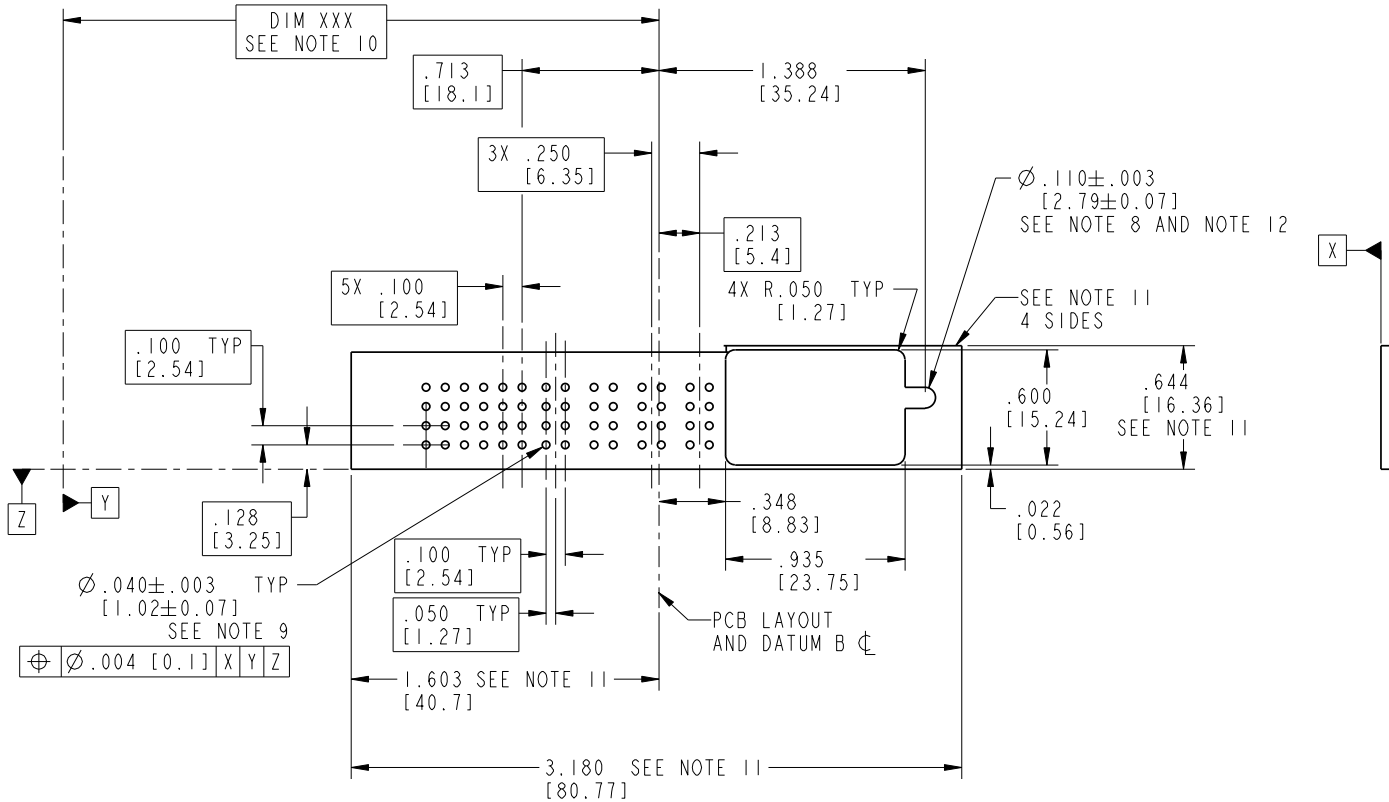
Tous droits strictement reserves. Reproduction ou communication a des tiers interdite sous quelque forme que ce soit sans autorisation ecrite du proprietaire. Propriete de c FCI. Droits de reproduction FCI.

All rights strictly reserved. Reproduction or issue to third parties in any form whatever is not permitted without written authority from the proprietor. Property of FCI. Copyright FCI.



PRODUCT NUMBER

51940-105\_\_  
NOTE: 3



mat'l code		SEE NOTE 2		tolerances unless otherwise specified		CUSTOMER		FCI	
lir	ecn no.	dr	date	linear	.XX±.01/0.X±0.3	COPY		www.fciconnect.com	
B				linear	.XX±.005/0.XX±0.13	projection		title 3ACP + 4P + 24S	
				angles	.XXX±.0020/0.XXX±0.051	MM		VERT PF RECEPT CABLE PORT	
				dr	T. BRUNGARD 09/30/04	scale		product family PwrBlade	
				engr	M. GRAY 09/30/04	1:1		code 213	
				chr	M. GRAY 09/30/04			size dwg no	
				appd	M. GRAY 09/30/04			A 51940-105	
sheet index	revision sheet							sheet 3 of 4	

cage code 2856

Tous droits strictement reserves. Reproduction ou communication a des tiers interdite sous quelque forme que ce soit sans autorisation ecrite du proprietaire. Propriete de c FCI. Droits de reproduction FCI.

All rights strictly reserved. Reproduction or issue to third parties in any form whatever is not permitted without written authority from the proprietor. Property of FCI. Copyright FCI.



1 | 2

3

4

PRODUCT NUMBER

51940-105--  
NOTE: 3

NOTES:

1. DIMENSIONS AND TOLERANCES ARE IN ACCORDANCE WITH ASME Y14.5M, 1994 UNLESS OTHERWISE SPECIFIED.

CONNECTOR NOTES:

- ② HOUSING MATERIAL: UL 94 V-0 GLASS FILLED  
HIGH-TEMP THERMOPLASTIC  
POWER CONTACT MATERIAL: COPPER ALLOY  
SIGNAL PIN MATERIAL: COPPER ALLOY
- 3. 51940-105;51940-105LF;51940-105GLF PLATING SPEC. SEE PRINT:10064183
- ④ MANUFACTURER'S NAME, P/N, AND DATE CODE TO APPEAR ON THIS SURFACE.
- 5. PRODUCT SPECIFICATION GS-12-149.  
APPLICATION SPECIFICATION BUS-20-067.
- 6. PACKAGED IN TRAYS.

PCB NOTES:

- 7. ALL HOLE DIAMETERS ARE FINISHED HOLE SIZE.
- ⑧ MOUNTING HOLES, WHERE APPLICABLE, ARE UNPLATED.
- ⑨  $\varnothing .0453 \pm .0010$  [1.151 ± 0.025] DRILLED HOLES PLATED WITH .0003 [0.008] MIN SnPb OVER .001 [0.03] TO .003 [0.08] Cu PLATING TO ACHIEVE  $\varnothing .040 \pm .003$  [1.02 ± .07] HOLE.
- ⑩ "DIM XXX" TO BE DETERMINED BY THE CUSTOMER.
- ⑪ CONNECTOR KEEP-OUT ZONE.
- ⑫ RECOMMENDED RETENTION TO PCB  
 $\varnothing .110$  [2.79] THRU HOLE FOR M2.5 SOCKET HEAD CAP SCREW, MAX HEAD  $\varnothing 4.5$ mm [ .177] RECOMMENDED SCREW LENGTH 12mm [ .472] + PCB THICKNESS.  
RECOMMENDED SCREW SEATING TO PCB TORQUE: 2-5 lbf-in (2300-5760 gf-cm).

A

A

B

B

mat'l code				SEE NOTE 2		tolerances unless otherwise specified		CUSTOMER		FCI	
lir	ecn no.	dr	date	linear	.XX±.01/0.X±0.3	projection	COPY		www.fciconnect.com		
B					.XXX±.005/0.XX±0.13		title		3ACP + 4P + 24S		
				angles	.XXX±.0020/0.XXX±0.051		VERT PF RECEPT CABLE PORT		product family PwrBlade code 213		
				dr	T. BRUNGARD 09/30/04		size		A 51940-105 sheet 4 of 4		
				enrg	M. GRAY 09/30/04		dwg no				
				chr	M. GRAY 09/30/04		scale		1:1		
				appd	M. GRAY 09/30/04						
sheet index	revision sheet										

1 | 2

Pro/E

PDM: Rev: B

STAT US: Released

Printed: Dec 20, 2010