

## DETAILS

<b>Product Number</b>	C13996_STRADA-T-6X1-ME
<b>Family</b>	Strada
<b>Type</b>	Lens
<b>Color</b>	clear
<b>Diameter</b>	119,8x25,2 mm
<b>Height</b>	8,19 mm
<b>Style</b>	rectang
<b>Optic Material</b>	PMMA
<b>Holder Material</b>	
<b>Fastening</b>	screw, pin, glue
<b>Status</b>	production ready
<b>ROHS Compliant</b>	Yes
<b>Date Updated</b>	2/09/2014



## OPTICAL PROPERTIES

LED	Viewing Angle	Light Beam	Efficiency	cd/lm	Connector
Oslon Square PC	asymmetric deg	Streetligh...	83 %	0.730	Undefined Manufacturer: Protective Plate, Glass

H G F E D C B A

4

3

2

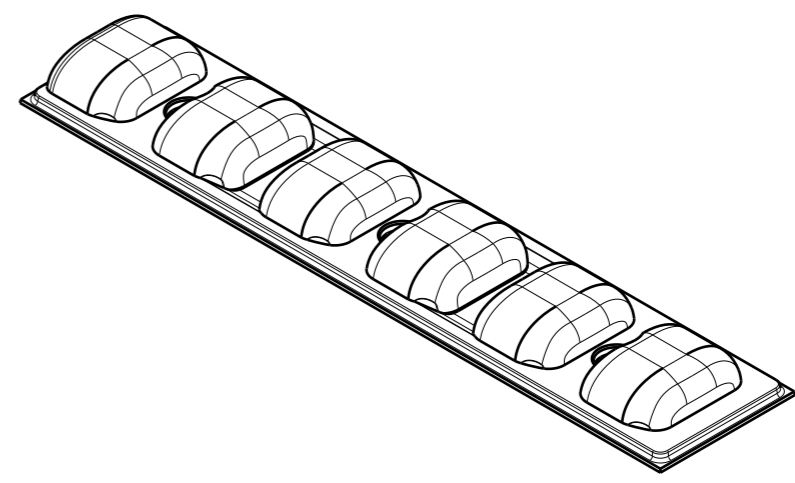
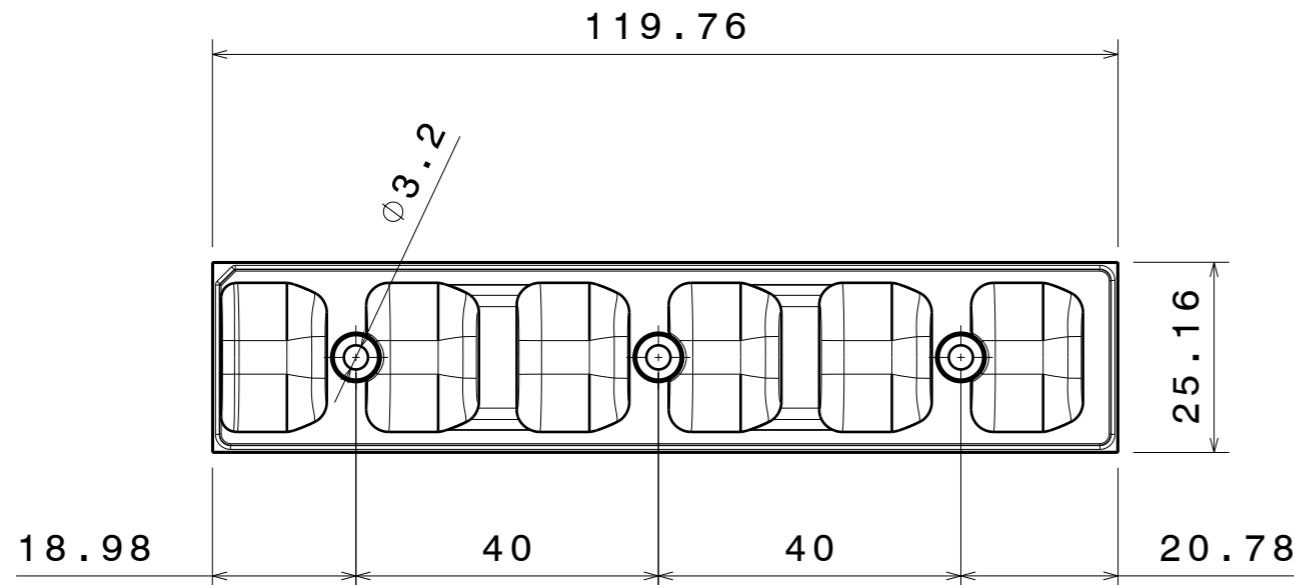
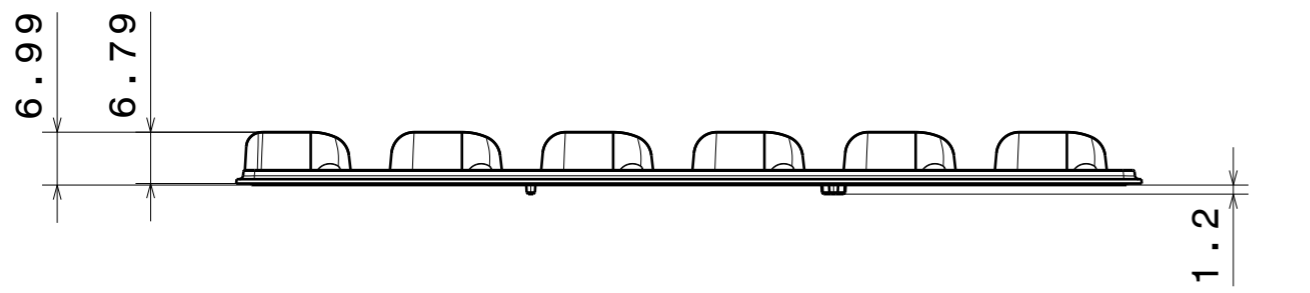
1

4

3

2

1



INDEX	PART NO	DESCRIPTION	MATERIAL	COLOUR
1	C13996	STRADA-T-6X1-ME	PMMA	Clear

Tolerances if not otherwise shown  
According to DIN ISO 2768-1  
Linear measures: class C  
According to DIN ISO 2768-2  
Form and position: class L

**LEDiL** LediL Oy  
Salorankatu 10  
FIN 24240 SALO  
Finland

THIRD ANGLE PROJECTION:

DRAWING TITLE  
**C13996\_STRADA-T-6X1-ME**

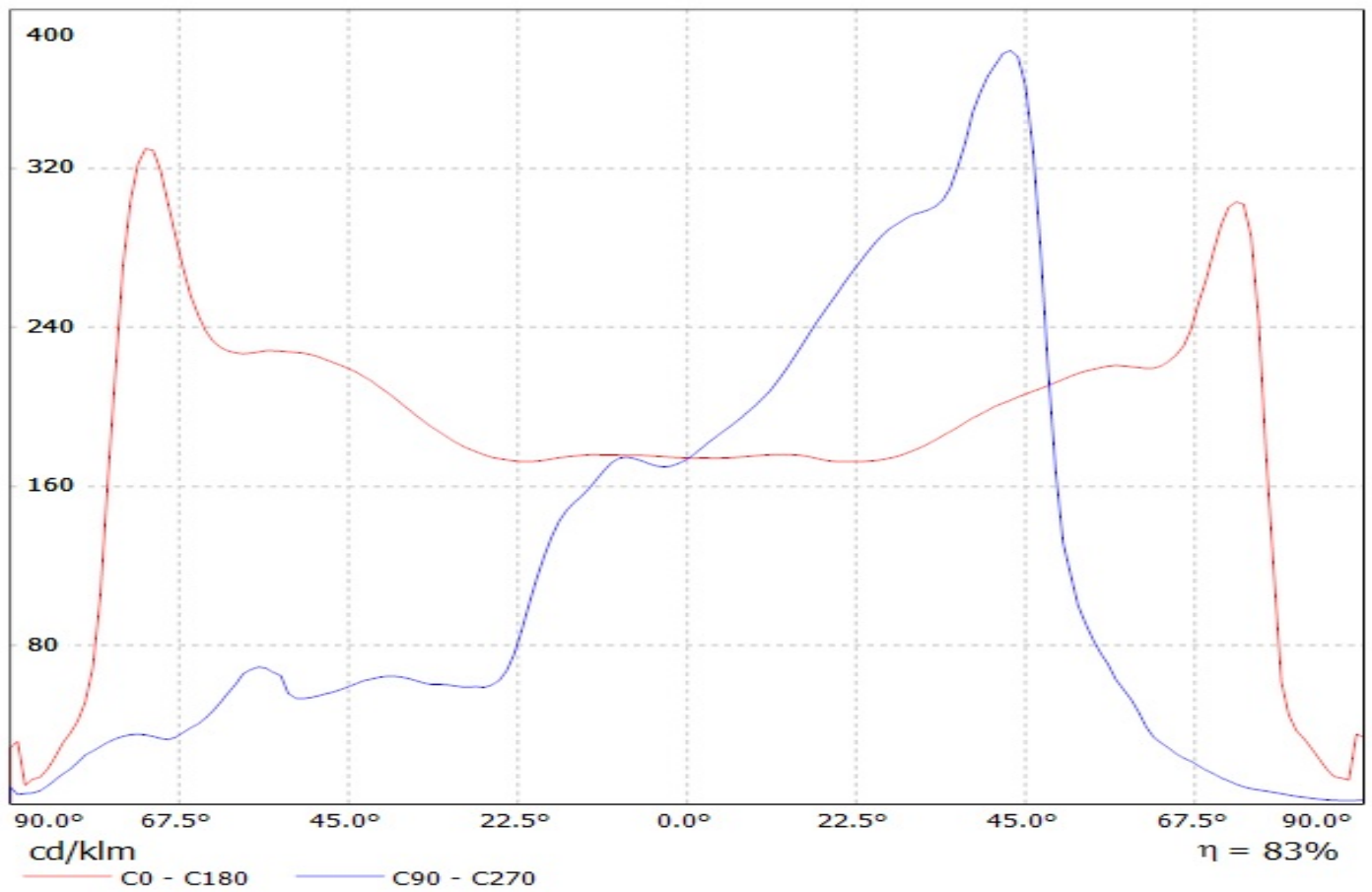
This drawing is the property of LEDiL Oy. It may not be reproduced, copied or communicated without a written agreement with LEDiL Oy.

SIZE	PART NUMBER		
<b>A3</b>	<b>C13996</b>		

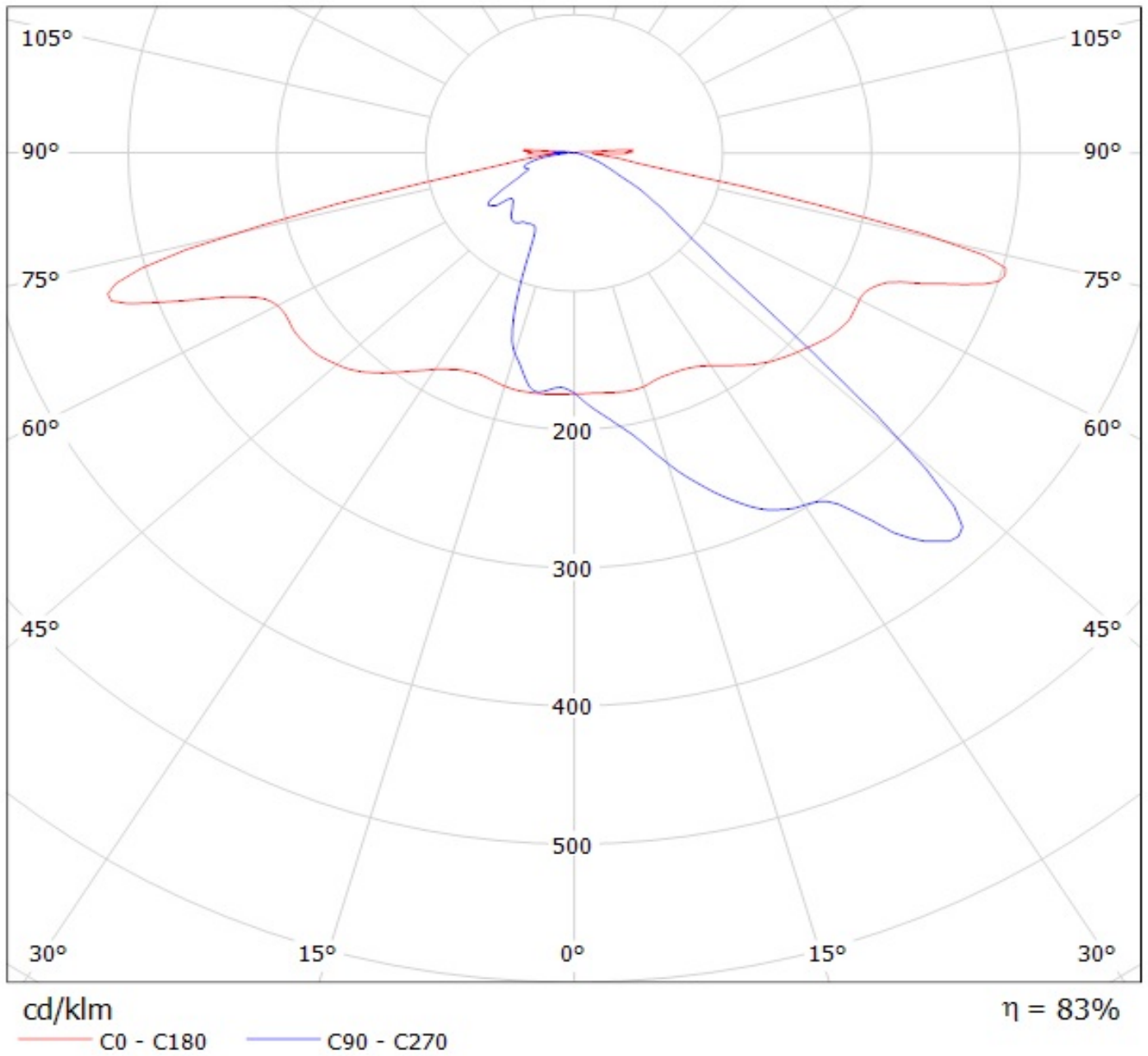
SCALE	1:1	WEIGHT	-	SHEET	1/1
-------	-----	--------	---	-------	-----

H G B A

Luminaire: LEDiL Oy C13996\_STRADA-T-6X1-ME\_(Oslo\_Square\_PC)\_with\_glass  
Lamps: 1 x Osrom\_Oslo\_Square\_PC\_(6x1)\_584.229lm@250mA\_P=4.38299W\_l=0.2498A



Luminaire: LEDiL Oy C13996\_STRADA-T-6X1-ME\_(Oslon\_Square\_PC)\_with\_glass  
Lamps: 1 x Osrom\_Oslon\_Square\_PC\_(6x1)\_584.229lm@250mA\_P=4.38299W\_I=0.2498A



**NOTE: The typical divergence will be changed by different color, chip size and chip position tolerance. The typical total divergence is the full angle measured where the luminous intensity is half of the peak value.**