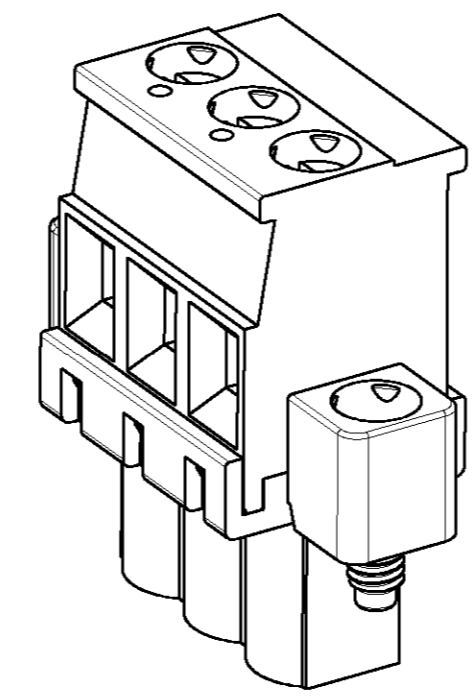
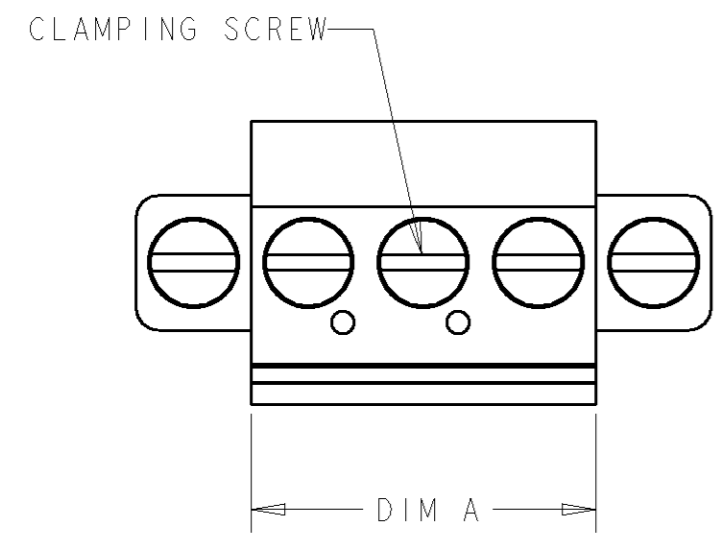


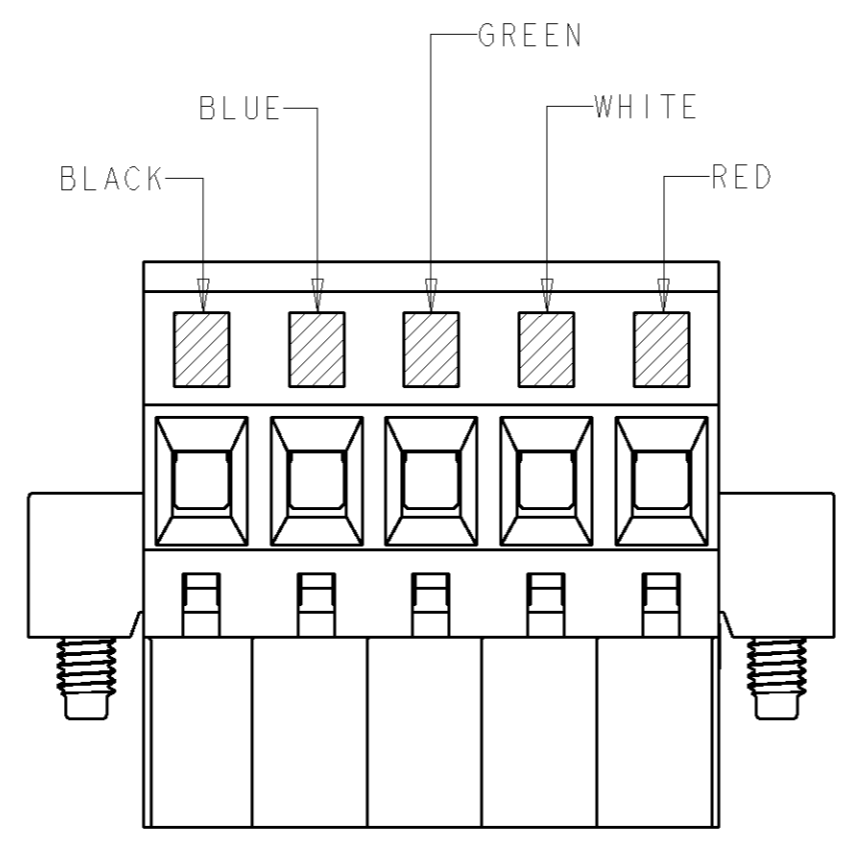
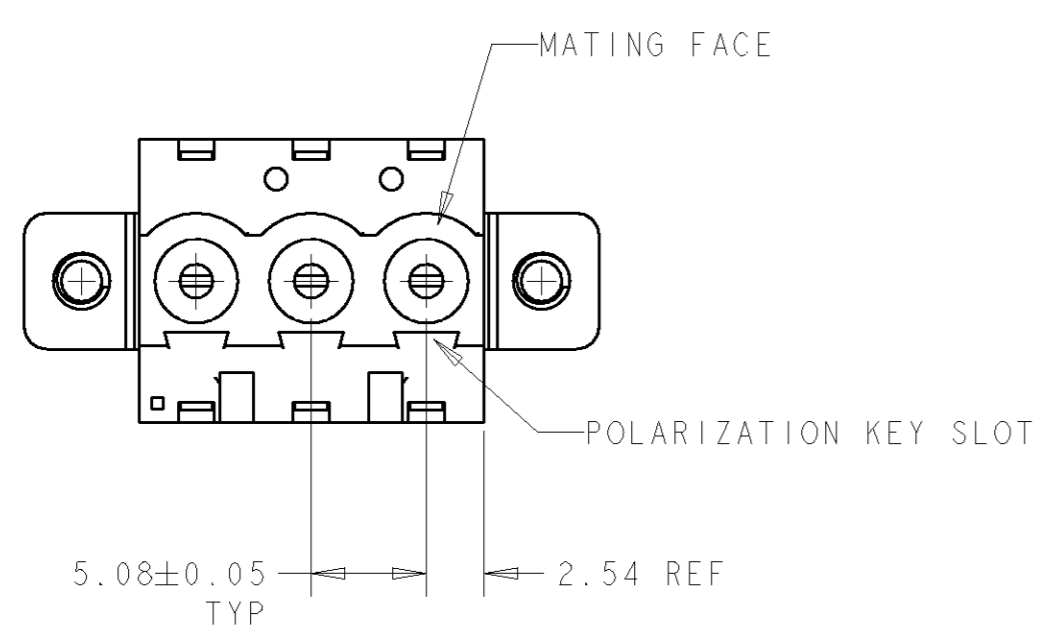
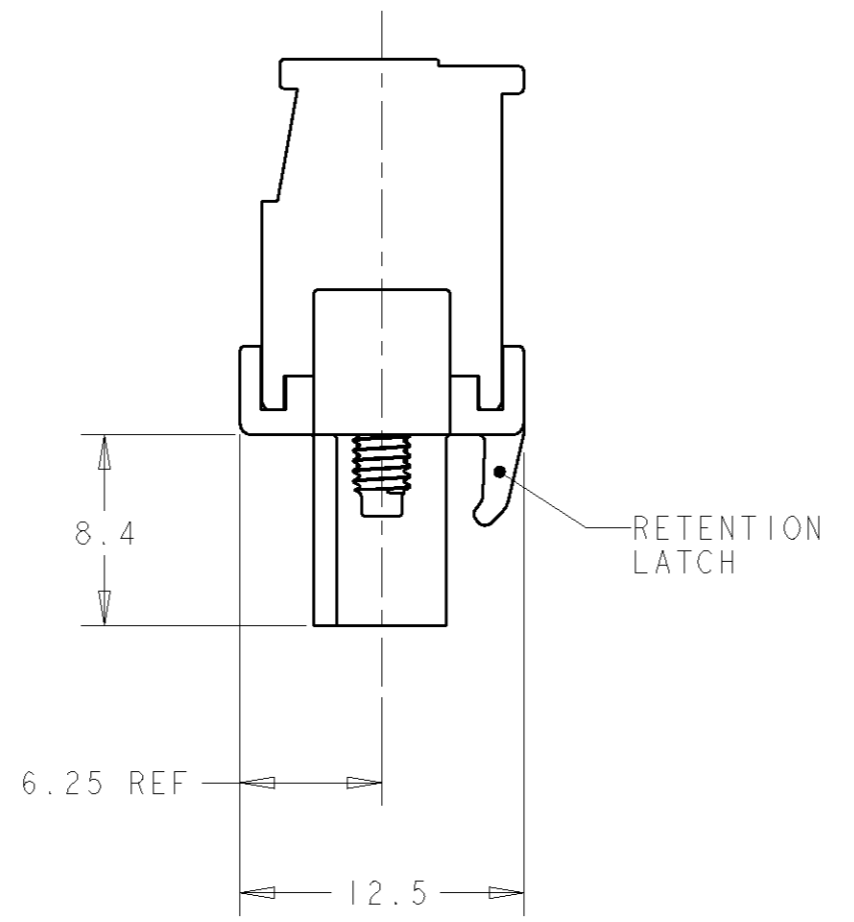
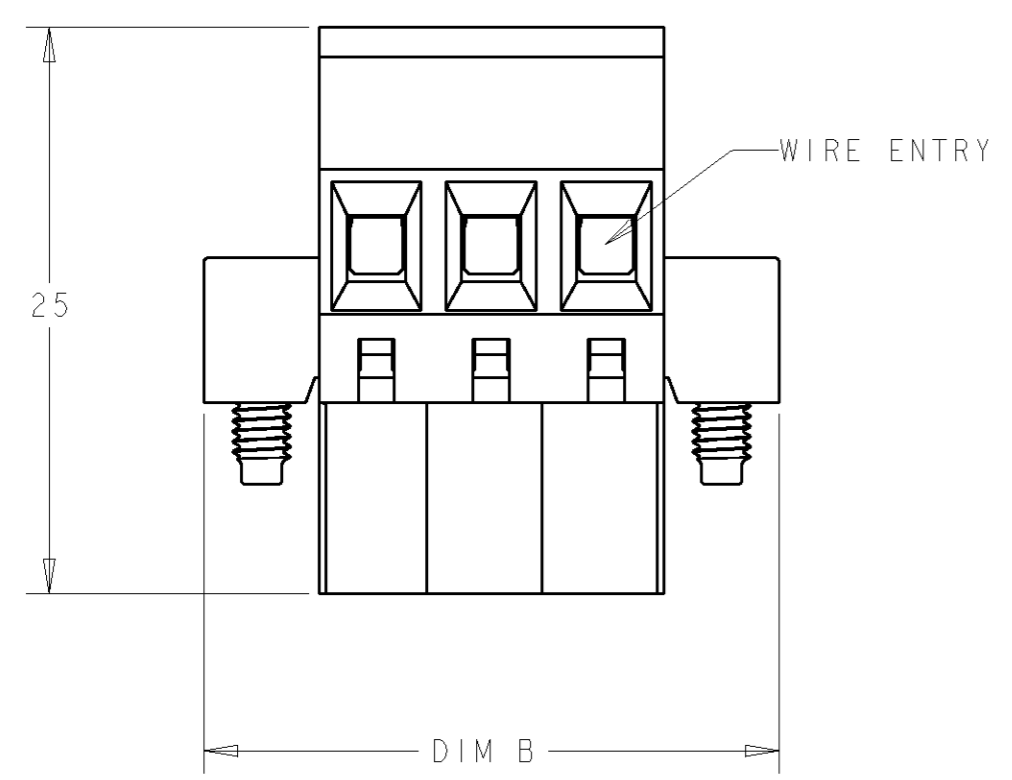
THIS DRAWING IS UNPUBLISHED. RELEASED FOR PUBLICATION
 © COPYRIGHT ALL RIGHTS RESERVED.

LOC		DIST		REVISIONS			
P	LTR	DESCRIPTION	DATE	DWN	APVD		
FT	0						
C1		REVISED PER ECO-11-005294	20APR11	RK	HMR		



796861-3 AS SHOWN

- 1 MATERIALS AND FINISH:
 HOUSING: PA 6-6, UL 94-V0, COLOR GREEN.
 CLAMP: BRASS, NICKEL PLATED.
 CONTACT SPRING: PHOSPHOR BRONZE, PLATING: SEE TABLE.
 CLAMPING SCREW: M3, BRASS, NICKEL PLATED.
- 2. WIRE SIZE RANGE: 12 - 30 AWG
- 3 LABEL APPLIED OR INK MARKING AS SHOWN.



DETAIL F

PRELIMINARY	0.2µm GOLD	3	DETAIL F	35.56	25.40	5	2-796861-4
TIN	-	-	-	127.00	116.84	23	2-796861-3
TIN	-	-	-	121.92	111.76	22	2-796861-2
TIN	-	-	-	116.84	106.68	21	2-796861-1
TIN	-	-	-	111.76	101.60	20	2-796861-0
TIN	-	-	-	106.68	96.52	19	1-796861-9
TIN	-	-	-	101.60	91.44	18	1-796861-8
TIN	-	-	-	96.52	86.36	17	1-796861-7
TIN	-	-	-	91.44	81.28	16	1-796861-6
TIN	-	-	-	86.36	76.20	15	1-796861-5
TIN	-	-	-	81.28	71.12	14	1-796861-4
TIN	-	-	-	76.20	66.04	13	1-796861-3
TIN	-	-	-	71.12	60.96	12	1-796861-2
TIN	-	-	-	66.04	55.88	11	1-796863-1
TIN	-	-	-	60.96	50.80	10	1-796861-0
TIN	-	-	-	55.88	45.72	9	796861-9
TIN	-	-	-	50.80	40.64	8	796861-8
TIN	-	-	-	45.72	35.56	7	796861-7
TIN	-	-	-	40.64	30.48	6	796861-6
TIN	-	-	-	35.56	25.40	5	796861-5
TIN	-	-	-	30.48	20.32	4	796861-4
TIN	-	-	-	25.40	15.24	3	796861-3
TIN	-	-	-	20.32	10.16	2	796861-2
TERMINAL PLATING	MARKING	SPECIAL	DIM B	DIM A	POSN	PART NUMBER	

DIMENSIONS: mm 		TOLERANCES UNLESS OTHERWISE SPECIFIED: 0 PLC ±0 1 PLC ±.3 2 PLC ±.25 3 PLC ±0 4 PLC ±0 ANGLES ±2° FINISH		DWN J. STAUFFER 07AUG2002 CHK C. RICHARD 07AUG2002 APVD C. RICHARD 07AUG2002 PRODUCT SPEC - APPLICATION SPEC - WEIGHT -		TE Connectivity	
MATERIAL 		NAME TERMINAL BLOCK VERTICAL PLUG LEFT HAND, W/ LOCKING SCREW 5.08mm PITCH		SIZE A2 CAGE CODE 00779 DRAWING NO. C-796861		RESTRICTED TO -	
CUSTOMER DRAWING				SCALE 3:1		SHEET 1 OF 1 REV C1	