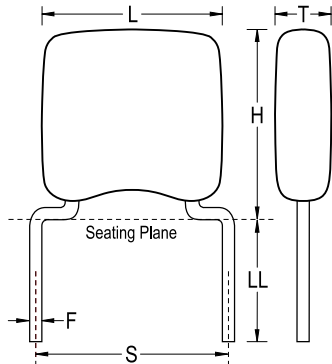


Ceramic, GoldMax, 8200 pF, 10%, 630 V, X7R, GoldMax, Commercial Standard, Lead Spacing = 5.08mm



Dimensions

L	3.81mm MAX
H	5.08mm MAX
T	3.14mm MAX
S	5.08mm +/-0.78mm
LL	7mm MIN
F	0.51mm +0.1/-0.025mm

Packaging Specifications

Packaging:	Bulk, Bag
Packaging Quantity:	500

General Information

Style:	Radial
Series:	GoldMax
Description:	GoldMax, Commercial Standard
RoHS:	Yes
Termination:	Tin
Failure Rate:	N/A
Halogen Free:	Yes

Specifications

Capacitance:	8200 pF
Capacitance Tolerance:	10%
Voltage DC:	630 VDC
Temperature Range:	-55/+125C
Temperature Coefficient:	X7R
Dissipation Factor:	2.5% 25C
Aging Rate:	3% Loss/Decade Hour
Insulation Resistance:	100 GOhms
Dielectric Strength:	945 V