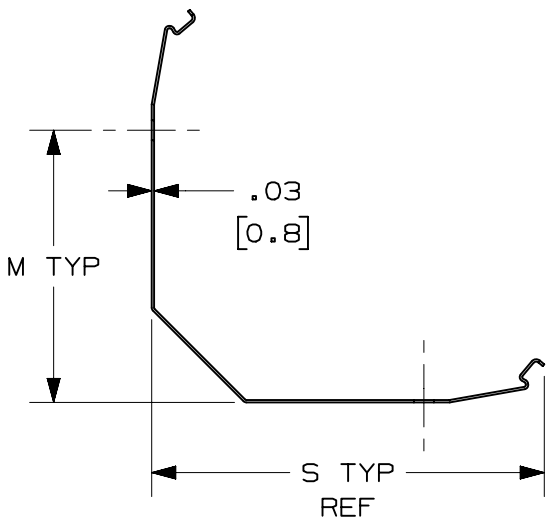


2

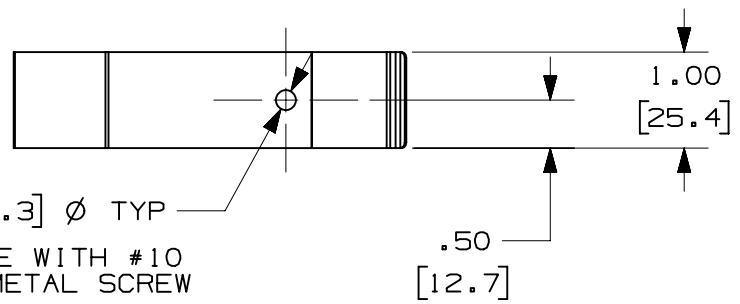
1

THIS COPY IS PROVIDED ON A RESTRICTED BASIS AND IS NOT TO BE USED IN ANY WAY DETRIMENTAL TO THE INTERESTS OF PANDUIT CORP.



NOTES:  
 1. DIMENSIONS IN PARENTHESES ARE METRIC.  
 2. USED WITH CORNER DUCT - SEE DRAWING # 39210-03

PART NO.	M	S	USED WITH
CDCLP2	1.60 [ 40.5 ]	2.32 [ 58.9 ]	CWD2**6
CDCLP3	1.91 [ 48.5 ]	3.13 [ 79.6 ]	CWD3**6
CDCLP4	2.84 [ 72.0 ]	4.09 [ 103.9 ]	CWD4**6



FOR USE WITH #10 SHEET METAL SCREW



REV	DATE	BY	CHK	APR	DESCRIPTION	ECN
4	07.29.13	BDK	MRJS	RTFI	G. ADDED CDCLP2	39187-04
3	03-06-13	JBN	RTFI	RTFI	F. UPDATED DRAWING BORDER & TITLE BLOCK	39187-04

TITLE <b>WIRING DUCT SPECIFICATIONS CORNER DUCT MOUNTING CLIP</b>			
CUSTOMER DRAWING			
ITEM REVISION NAME D39353BA/06		<b>PANDUIT</b>	
DATASET FILE NAME D39353BA_DC_CDCLP3 & CDCLP4/06D			
UNLESS OTHERWISE SPECIFIED, DIMENSIONAL TOLERANCES ARE: IN [ mm ]		MATERIAL: CDCLP2: STAINLESS STEEL CLCLP3 & 4: SPRING STEEL	
.X ± .XX ± .04 [ 1.0 ]		.XXX ± ANGLES ±	
DRAWN BY JCST		DATE 02-01-06	
CHK JKG		SCALE NONE	
THIRD ANGLE PROJECTION		DRAWING NUMBER: <b>39178-04</b>	
SHT 1 OF 1		SIZE <b>A</b>	

2

1

D10100DA/15