

THIS DRAWING IS UNPUBLISHED. RELEASED FOR PUBLICATION
 © COPYRIGHT BY TYCO ELECTRONICS CORPORATION. ALL RIGHTS RESERVED.

LOC	DIST	REVISIONS			
P	LTR	DESCRIPTION	DATE	DWN	APVD
F		EC 0G3C 0786 04	1FEB05	BSV	JLG

D

C

B

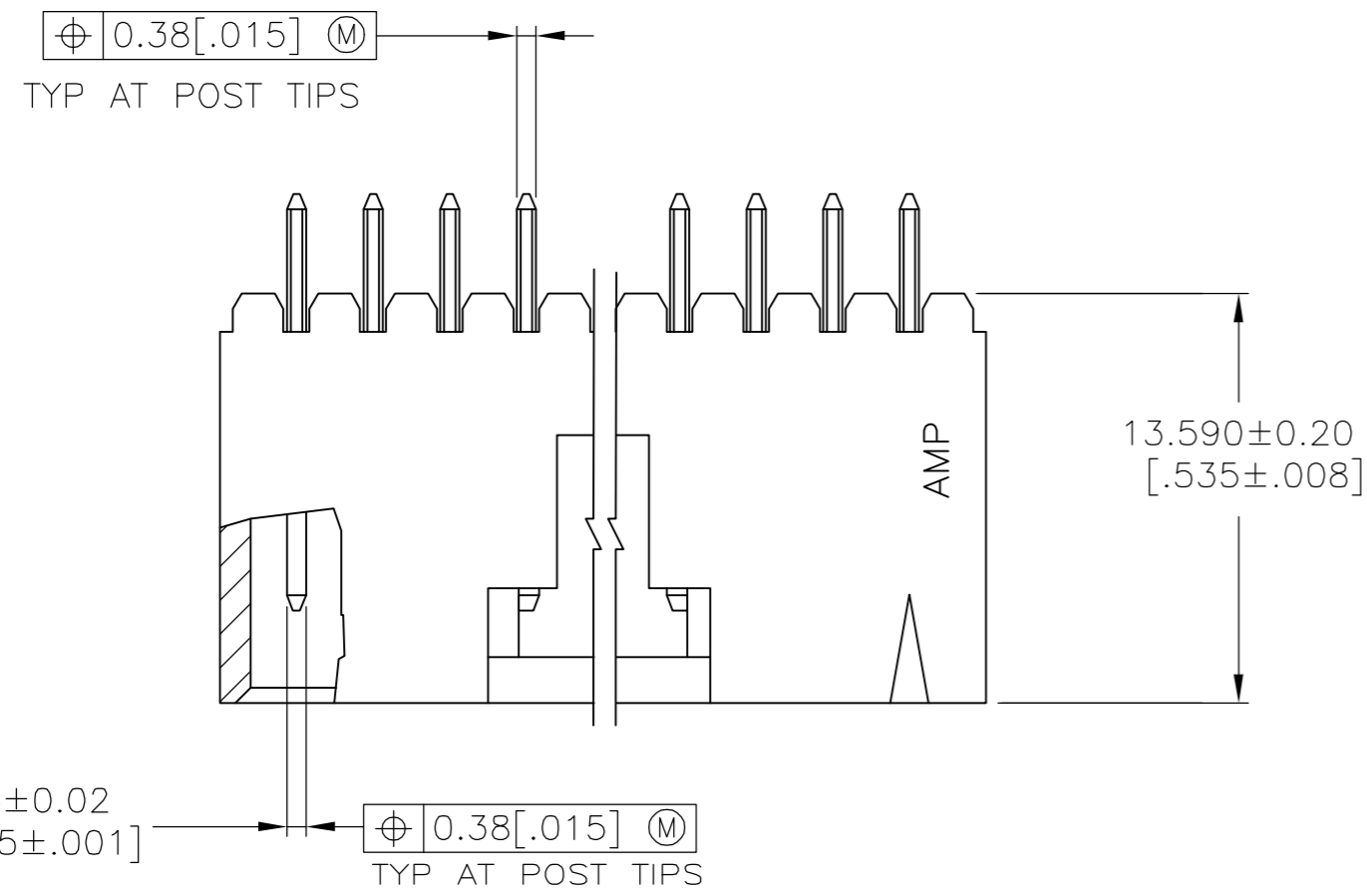
A

D

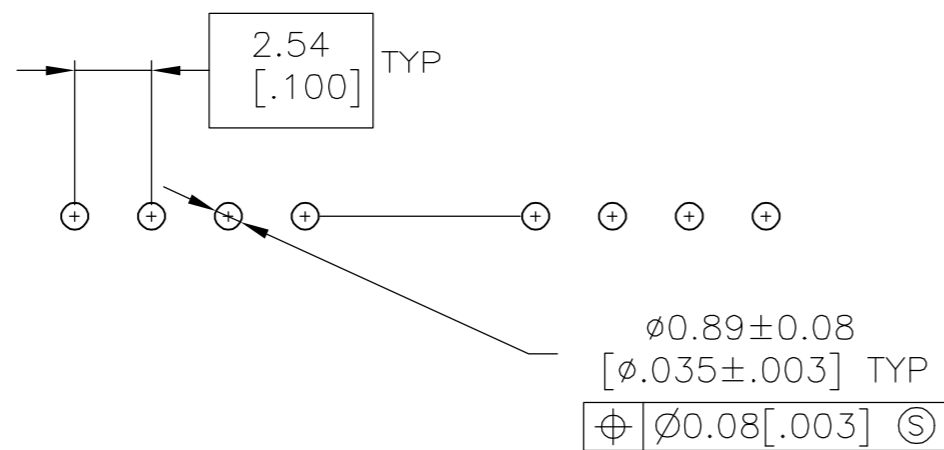
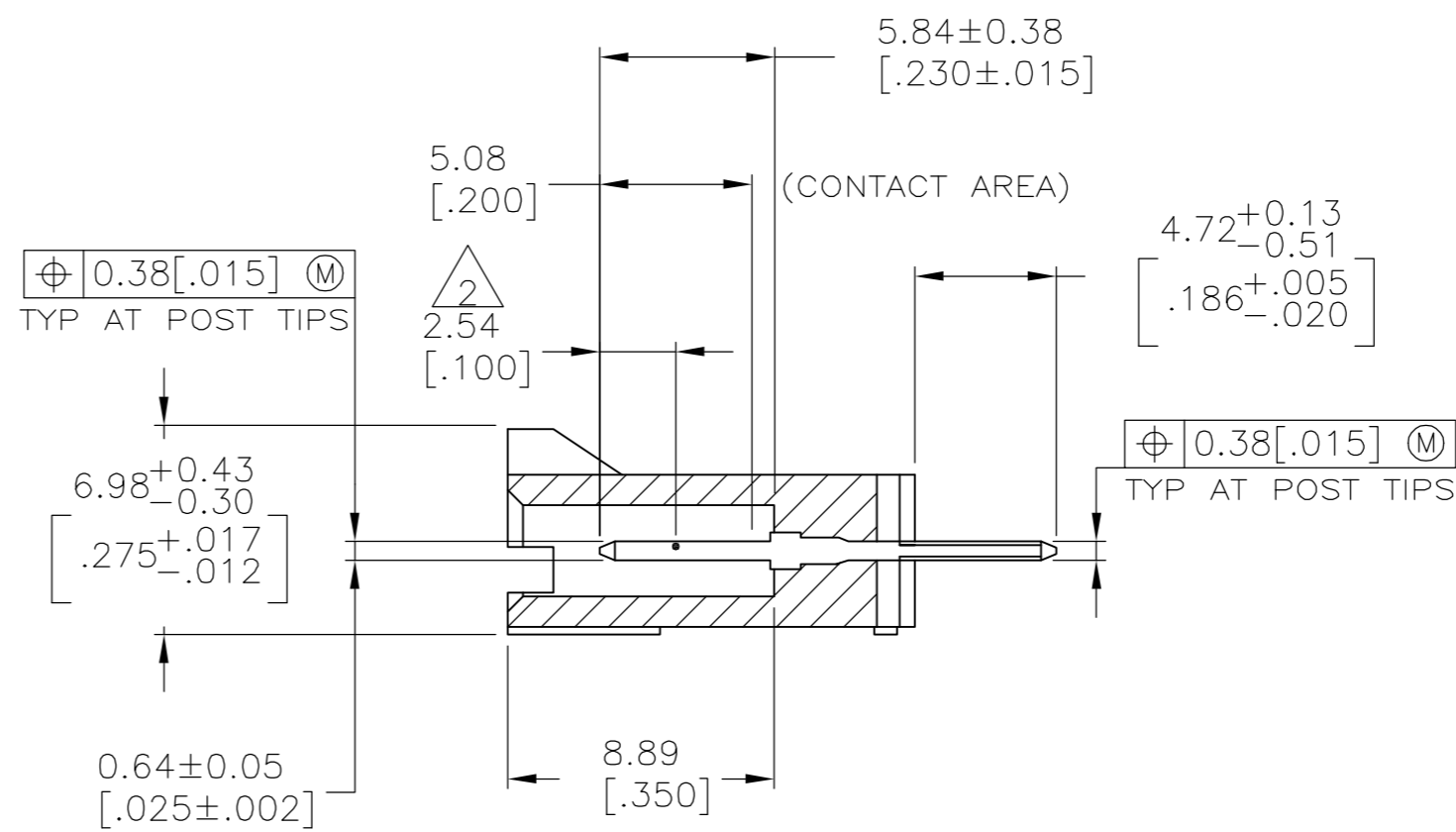
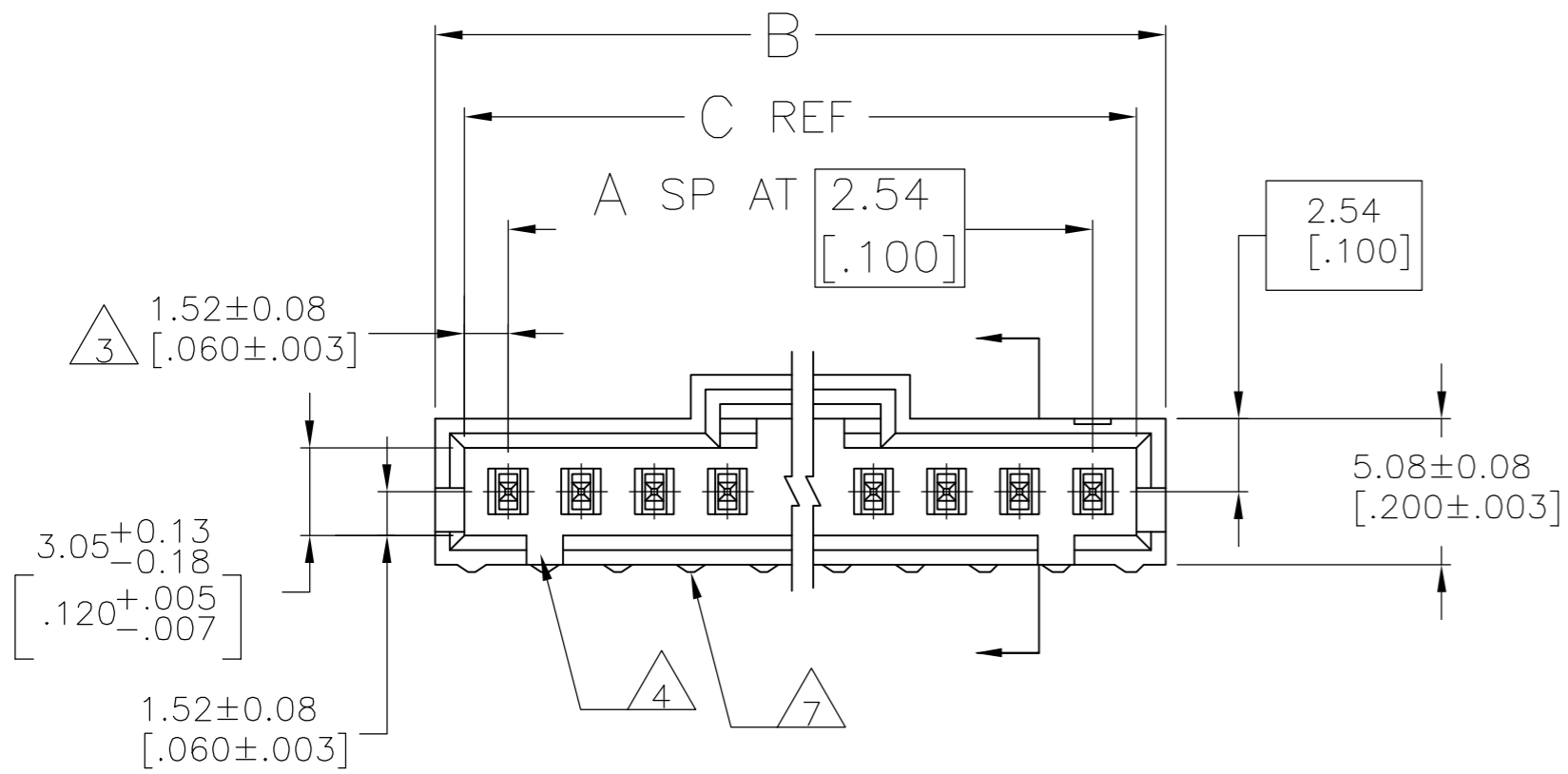
C

B

A



- 1 .00038[.000015] GOLD IN THE CONTACT AREA, .00254[.000100] MATTE TIN-LEAD ON REMAINDER OF CONTACT, ALL OVER .00127[.000050] NICKEL.
- 2 POINT OF MEASUREMENT FOR PLATING THICKNESS.
- 3 THE NOTED DIMENSIONS APPLY AT THE INTERSECTION OF THE POST AND THE HOUSING.
- 4 ON ASSEMBLIES WITH FOUR OR MORE POSITIONS, TWO POLARIZATION SLOTS. ON ASSEMBLIES WITH TWO OR THREE POSITIONS, ONE POLARIZATION SLOT.
- 5 .00038[.000015] GOLD IN THE CONTACT AREA, .00254[.000100] MATTE TIN ON REMAINDER OF CONTACT, ALL OVER .00127[.000050] NICKEL.
- 6 HIGH TEMPERATURE CONFIGURATION.
- 7 STANDOFF NOT PRESENT ON UNDERSIDE OF ASSEMBLY



REMARKS	PLATING	C	B	A	NO. OF POSN	PART NO.
		13.21 [0.520]	15.25 [0.600]	4	5	5-104911-1
		13.21 [0.520]	15.25 [0.600]	4	5	104911-1

THIS DRAWING IS A CONTROLLED DOCUMENT.		DWN E. BRANDBERG 13-6-94	Tyco Electronics Corporation Harrisburg, Pa 17105-3608			
DIMENSIONS: mm [INCHES]		CHK J.GESFORD 13-6-94	NAME HDR ASSY, VERT, SINGLE ROW 2.54[.100] C/L, 0.64[.025] SQ POST, WITH PLZN & LATCHING, AMPMODU MTE			
TOLERANCES UNLESS OTHERWISE SPECIFIED:		APVD J.GESFORD 13-6-94	PRODUCT SPEC 108-25034			
0 PLC ± -		APPLICATION SPEC 114-25026		SIZE A2	CAGE CODE 00779	DRAWING NO C=104911
1 PLC ± -		WEIGHT -		RESTRICTED TO -		
2 PLC ± 0.13[.005]		CUSTOMER DRAWING		SCALE 4:1	SHEET 1 OF 1	REV F
3 PLC ± -		MATERIAL HOUSING: FLAME RETARDANT THERMOPLASTIC COLOR - BLACK CONTACTS: BRASS				
4 PLC ± -		FINISH SEE TABLE				
ANGLES ± -						